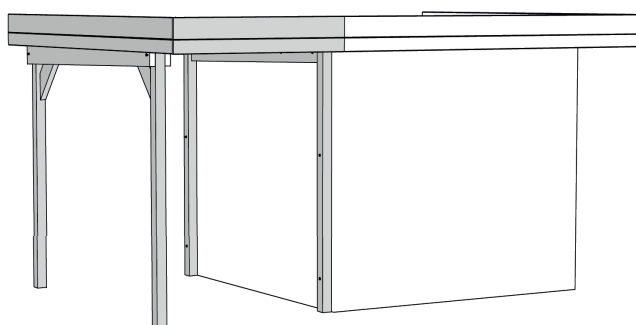




www.weka-holzbau.com

Seitlicher Dachanbau



100.2824.40020
100.2824.41020

100.2830.40020
100.2830.41020

Montage-, Bedienungs- und Wartungsanleitung



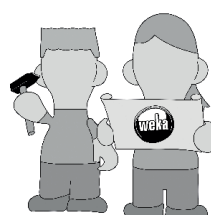
800.0286.17.56

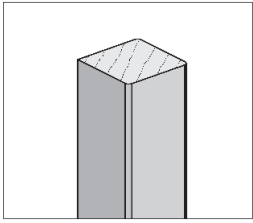
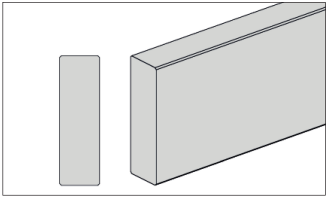
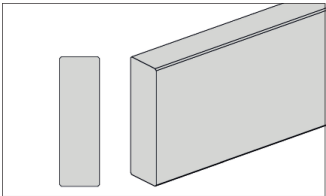
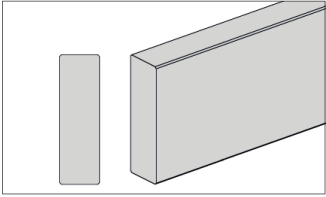
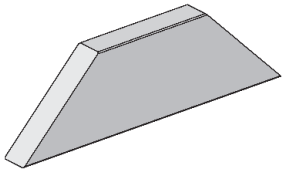
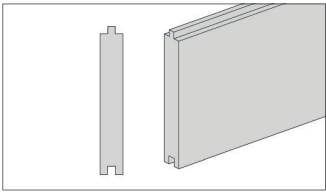
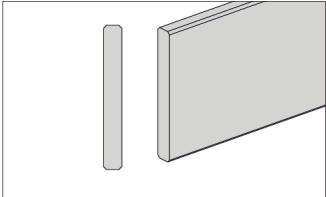
+

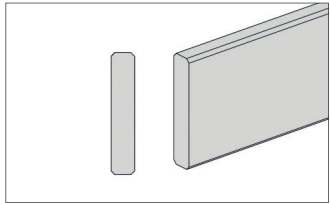
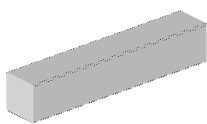
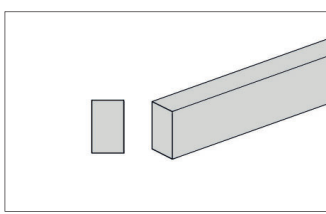
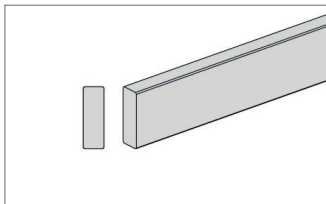


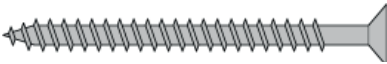

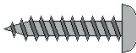










800-0286-20-40

=

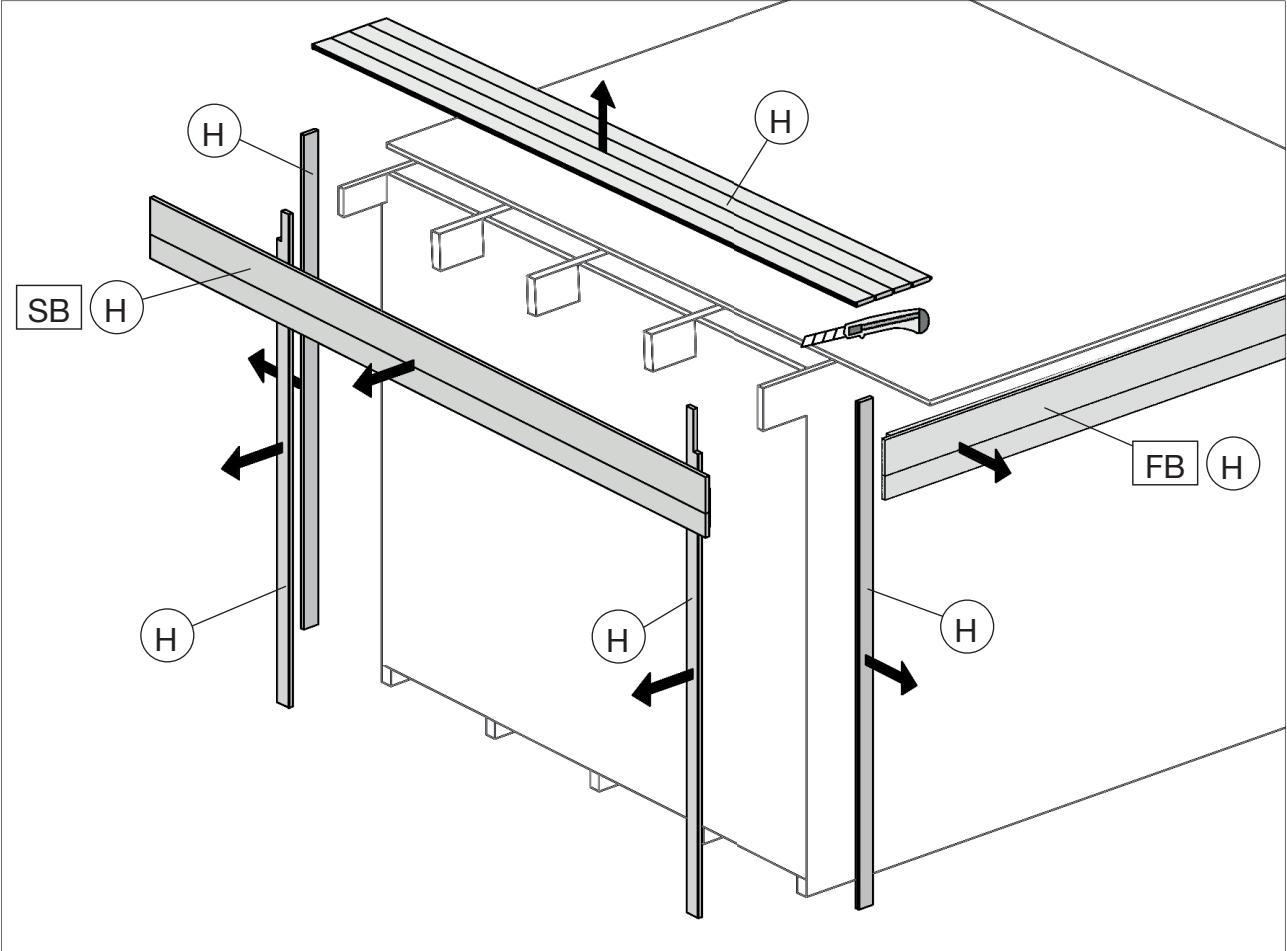


Pos	Bild	Abmessung (mm)	Anzahl (Stück)	
			100.2824.4..	100.2830.4..
①		80/80/2200	4	4
②		45/146/2350 45/146/2950	1 -	- 1
③		45/146/2350 45/146/2950	2 -	- 2
④		45/146/3200	5	5
⑤		45/146/500	2	2
⑥		18,5/121/3080 18,5/121/3710	29 -	- 29
⑦		18,5/146/3400	1	1

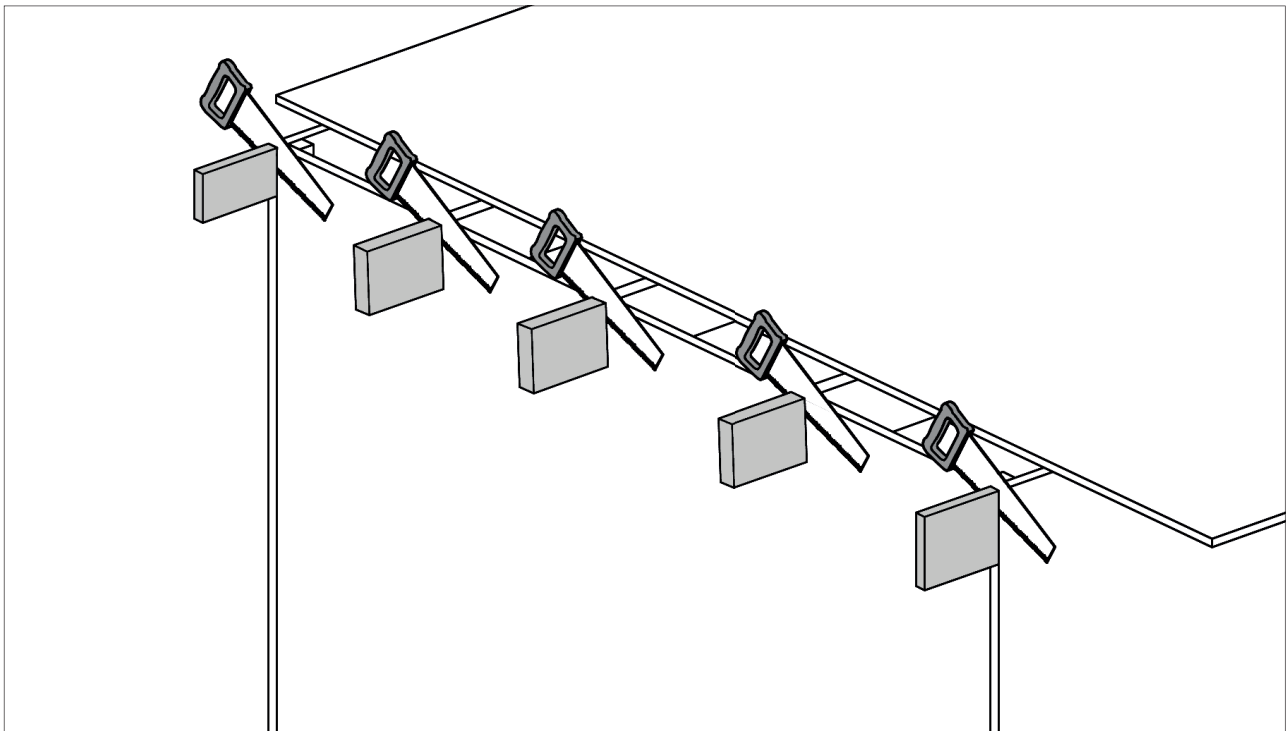
Pos	Bild	Abmessung (mm)	Anzahl (Stück)	
			100.2824.4..	100.2830.4..
8		18,5/96/3300	1	1
9		28/28/150	4	4
10		15/25/2000	2	2
11		15/45/2300	3	3

Pos	Bild	Abmessung (mm)	Anzahl (Stück)
M1	K001.8050.0004 	5,0 x 80	4
M2	K001.3035.0004 	3,5 x 30	30
M3	K002.2050.0004 	5,0 x 20	100
M4	K031.5050.0001 	50/50/40	12
M5	K008.9008.0001 	M8 x 90	5
M6	K008.1208.0001 	M8 x 120	6
M7	K008.1408.0001 	M8 x 140	4
M8	K008.1808.0001 	M8 x 180	4
M9	K020.8400.0001 	8,4	38
M10	K024.0800.0001 	M8	19
M11	K010.5022.0001 	2,2 x 55	350
-	-	-	-
M13	K001.4040.0004 	4,0 x 40	50
M14	K001.1250.0004 	5,0 x 120	4

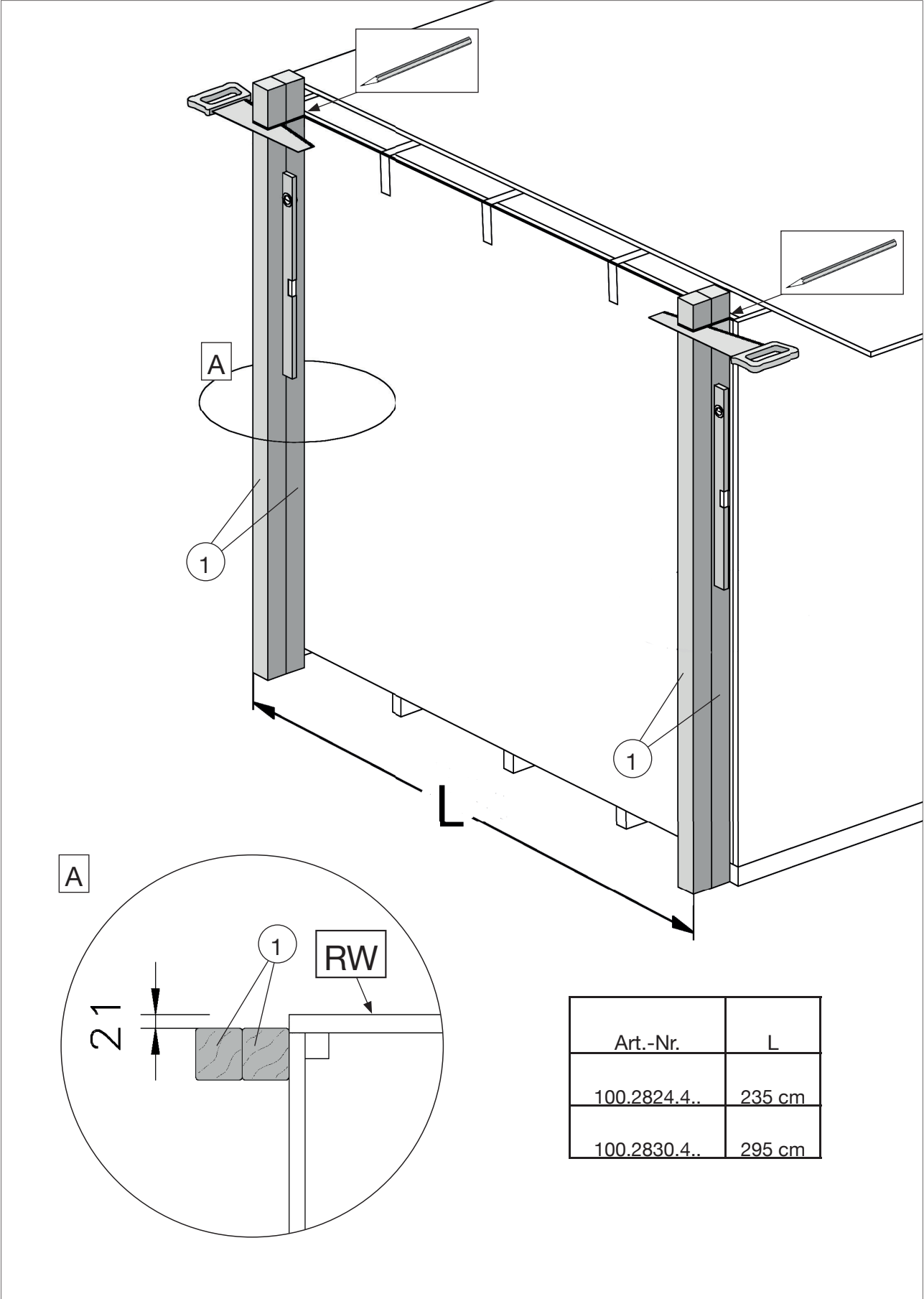
1



2

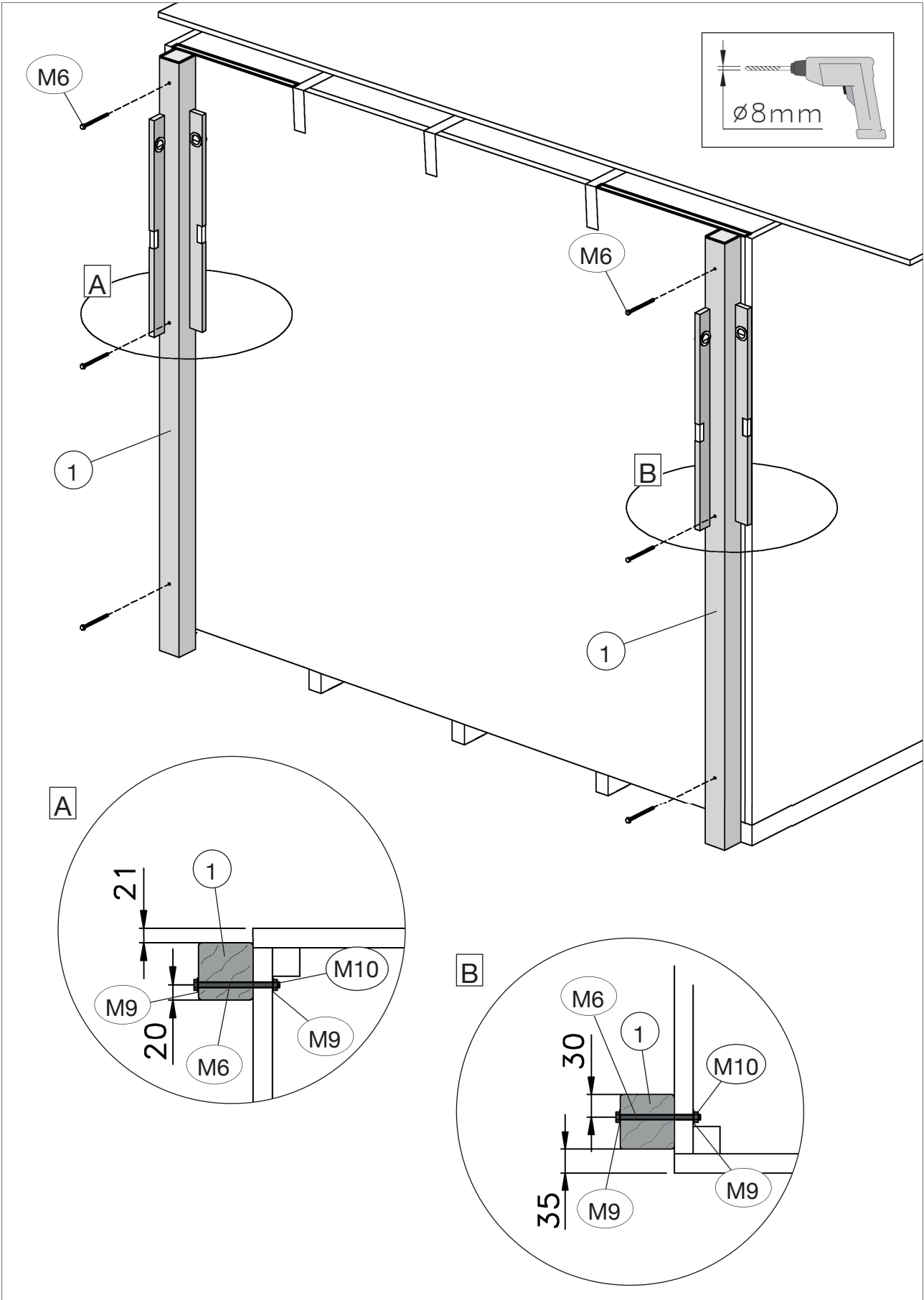


3



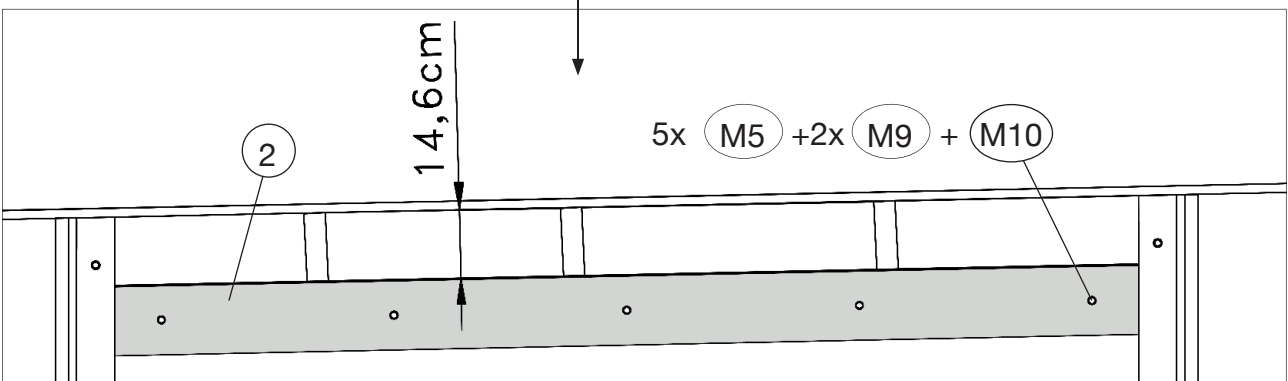
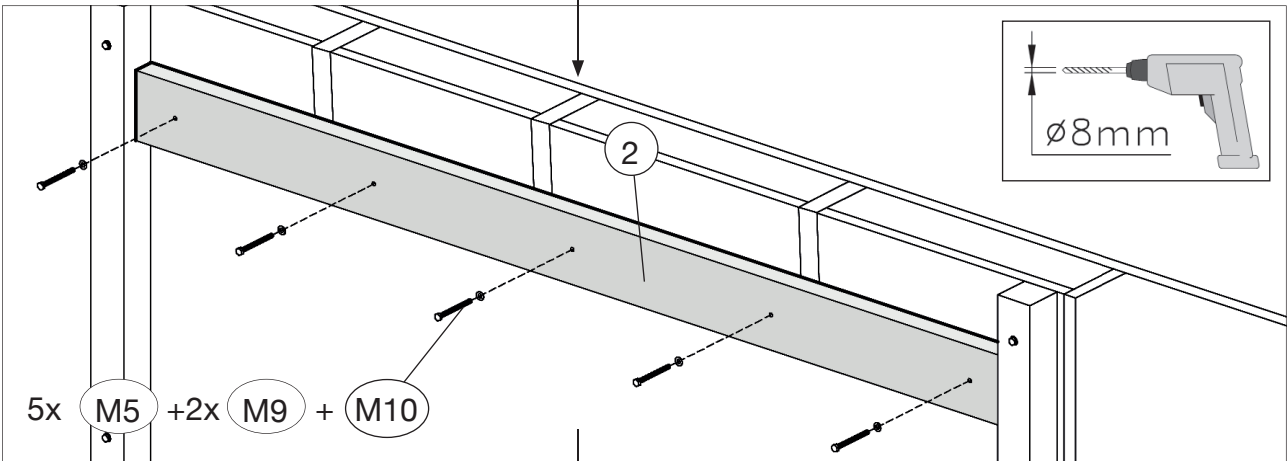
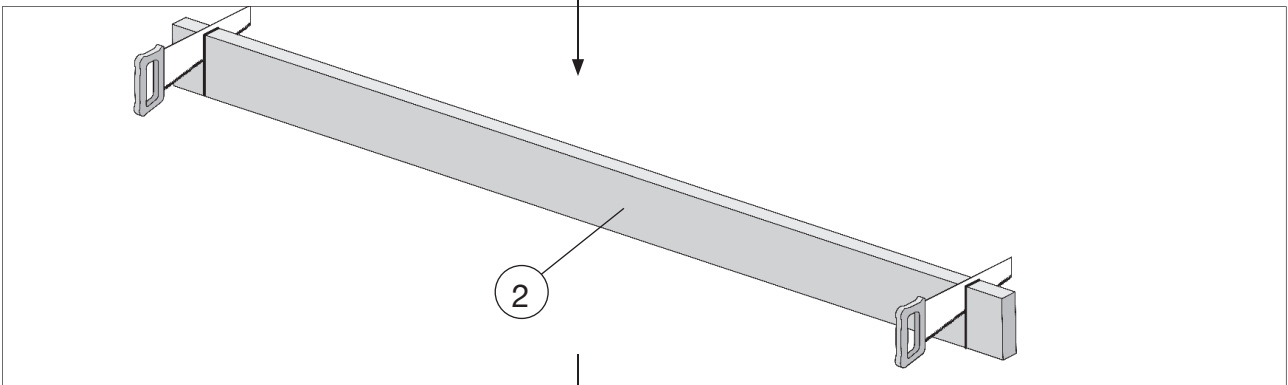
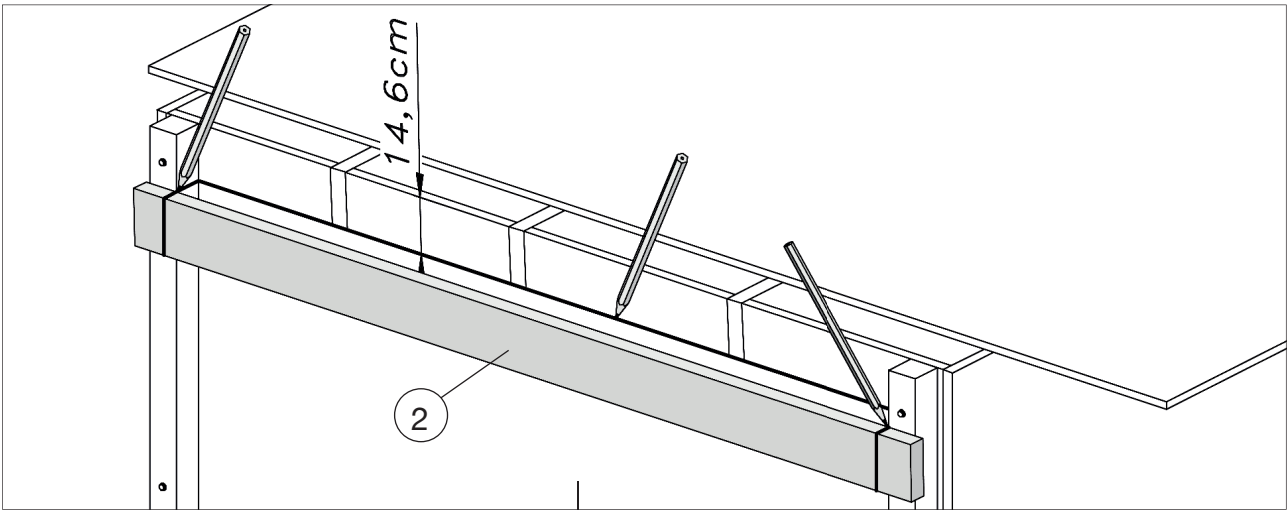
4

	M6	M8 x 120		M9	8,4
					M10



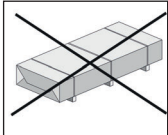
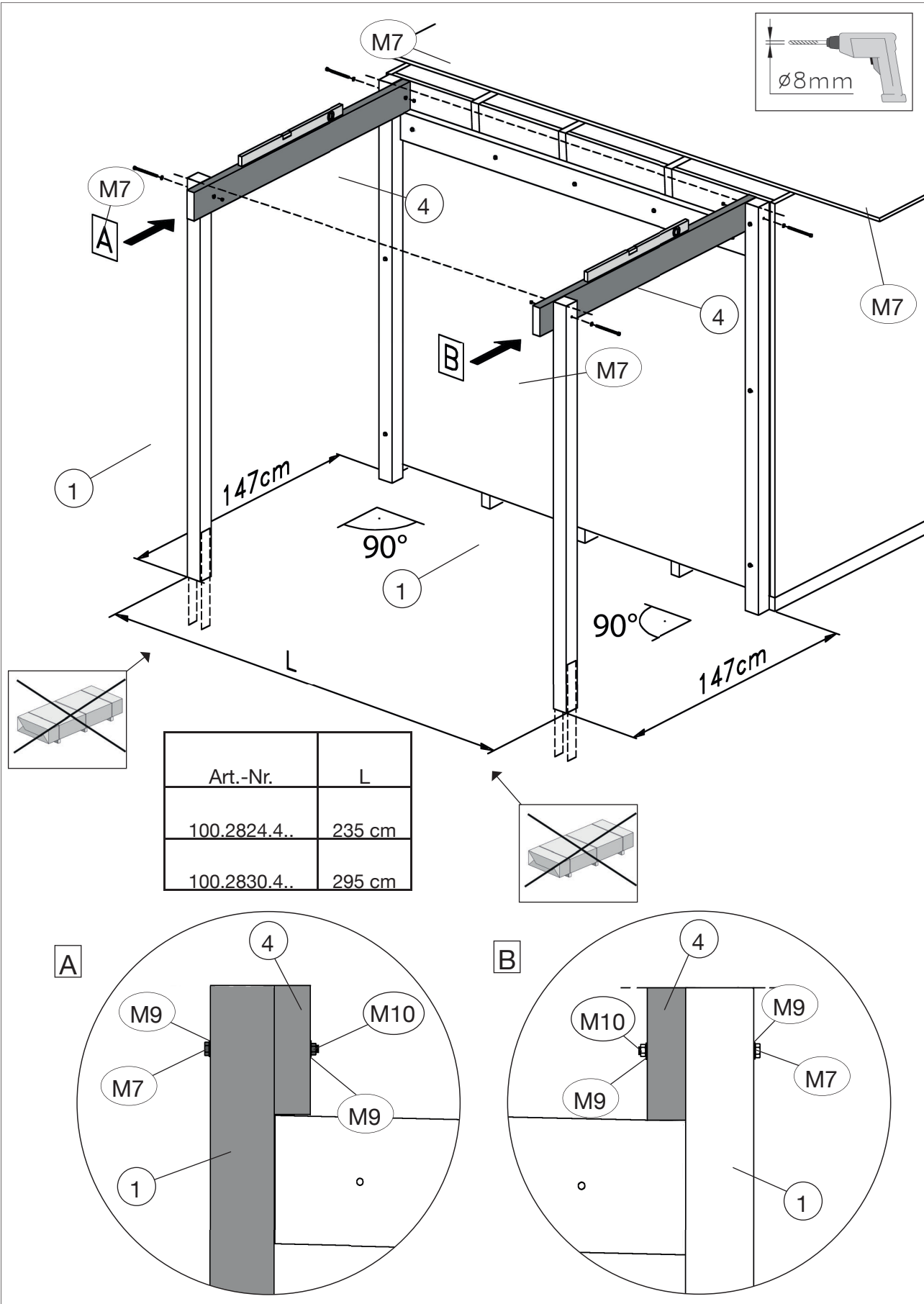
5

	M5	M8 x 90		M9	8,4
					M10

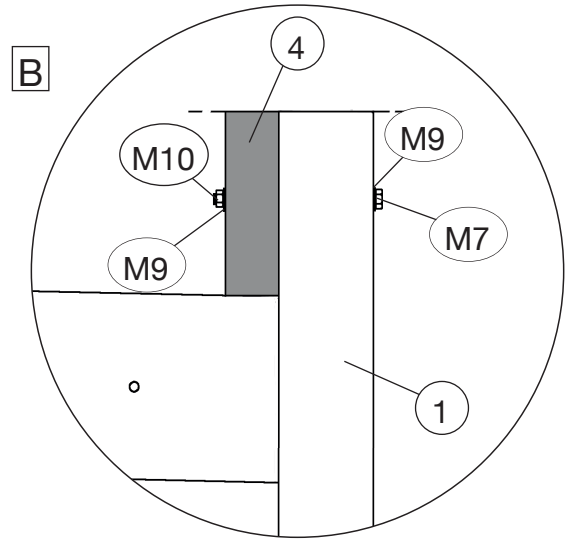
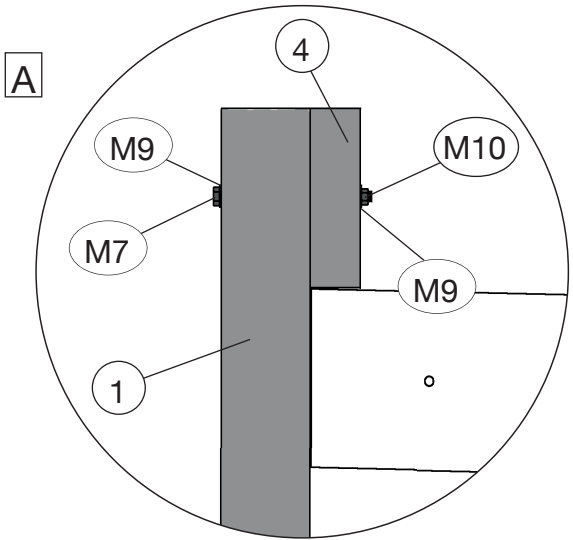
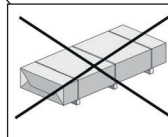


6

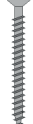
	M7 M8 x 140		M9 8,4
			M10 M8





Art.-Nr.	L
100.2824.4..	235 cm
100.2830.4..	295 cm

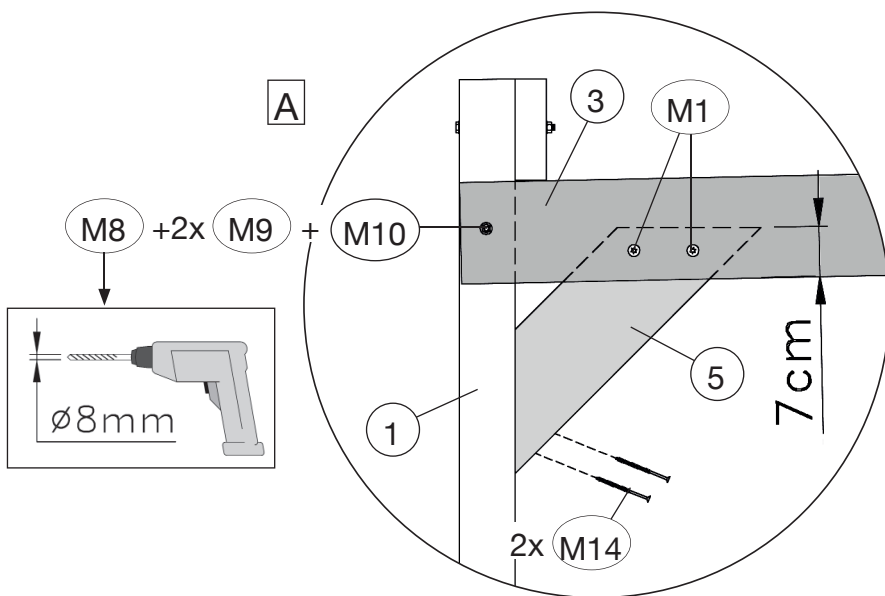
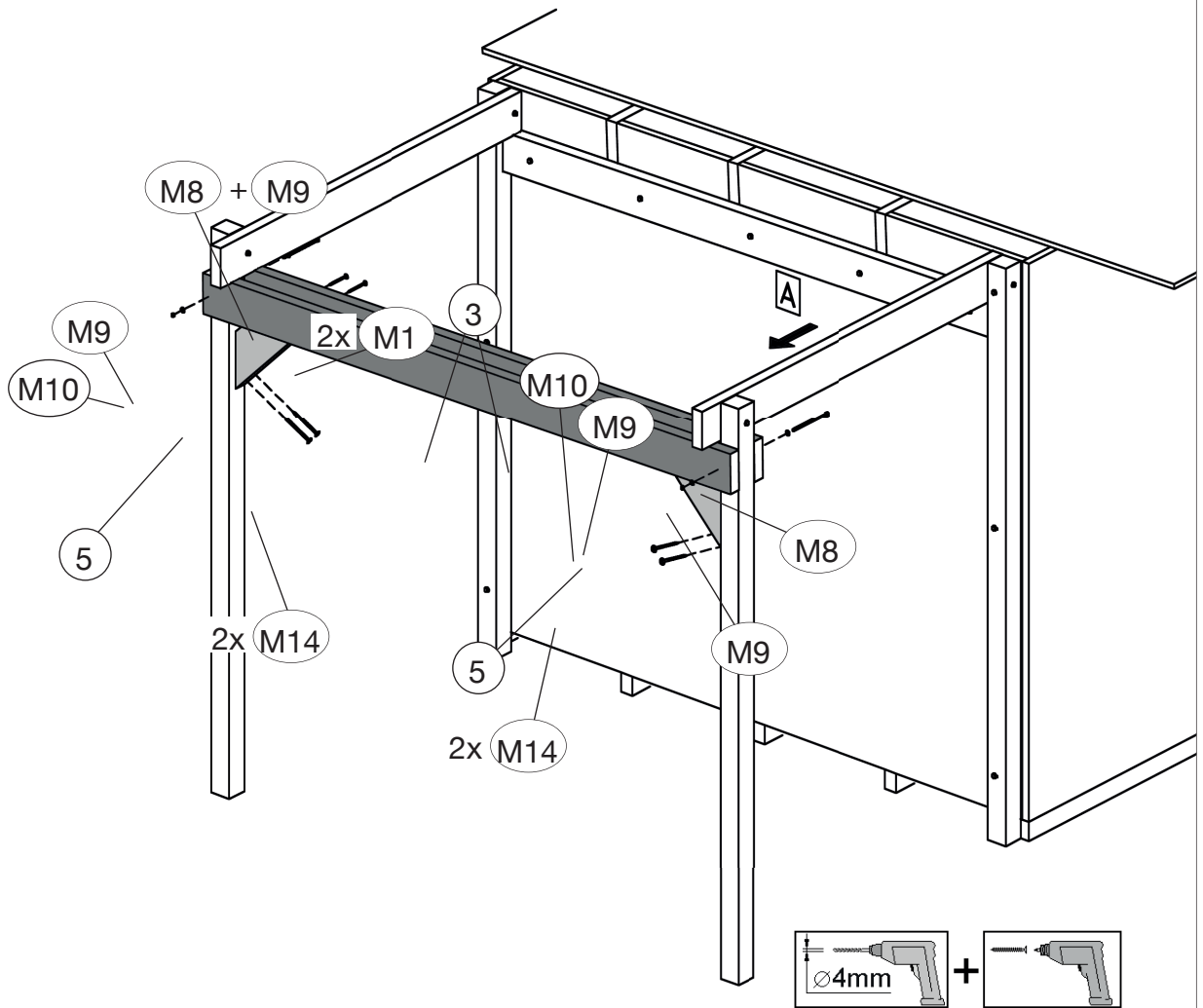


7



	M1	5,0 x 80
	M14	5,0 x 120

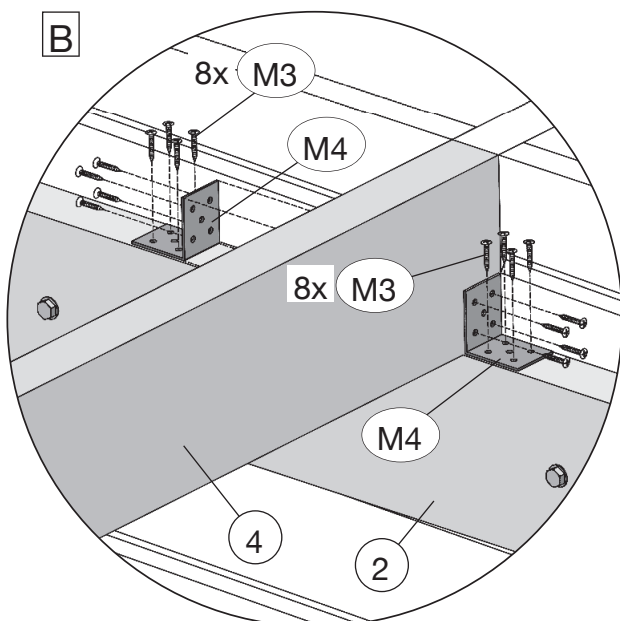
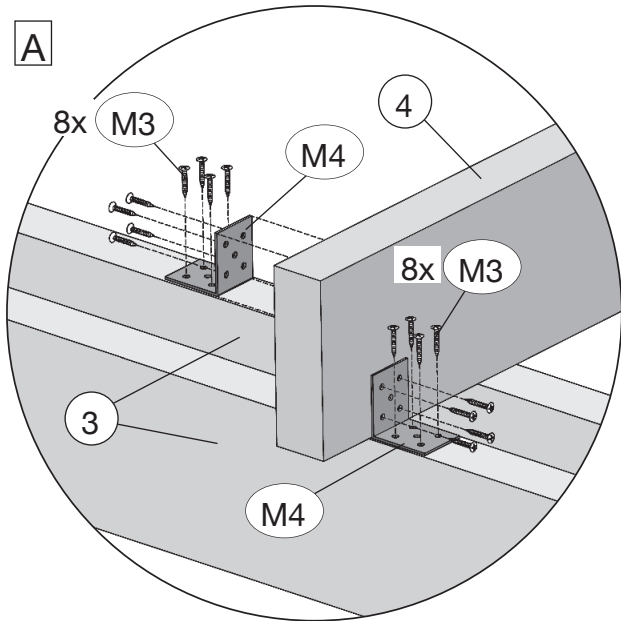
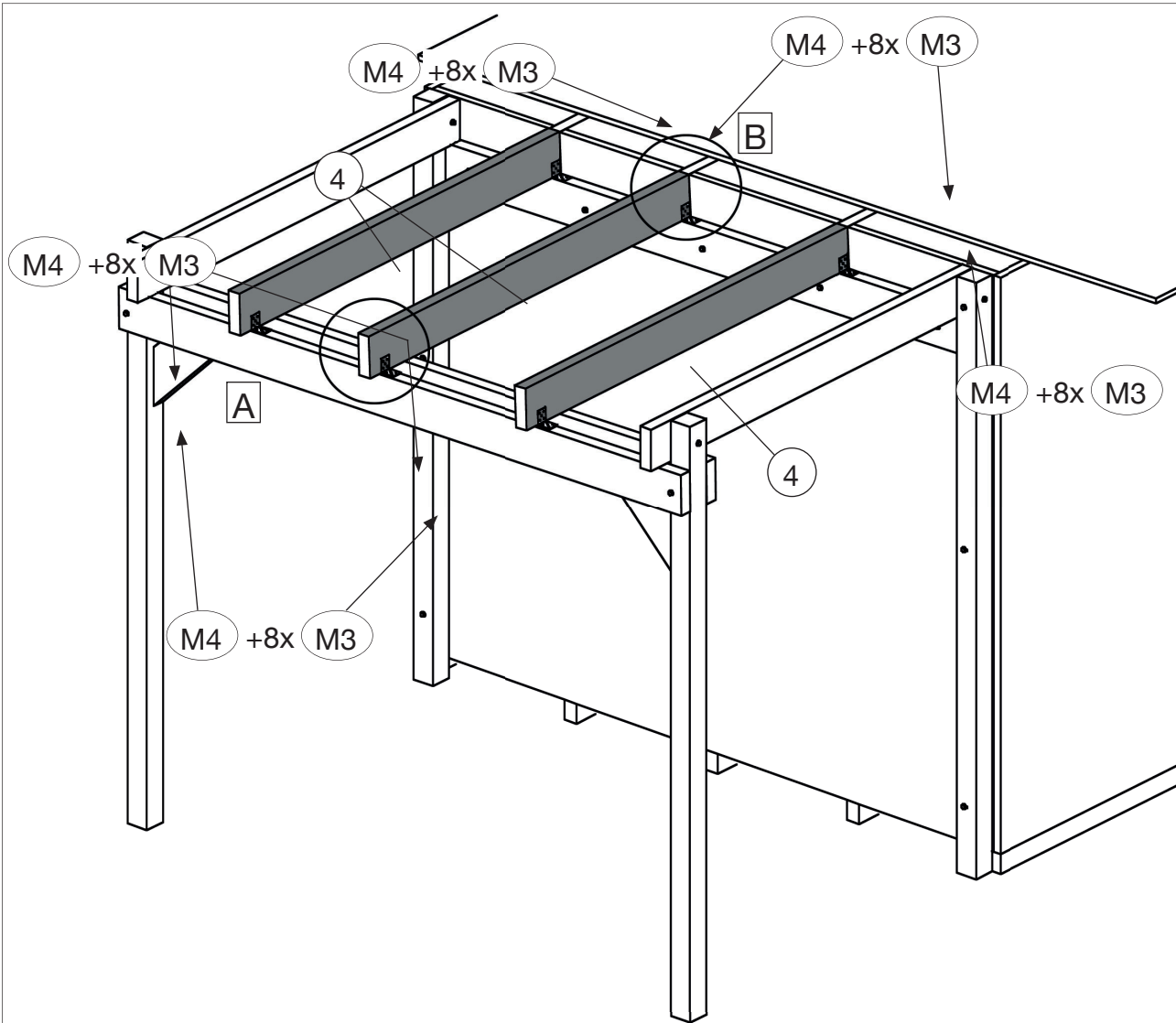
	M8	M8 x 180

	M9	8,4
	M10	M8



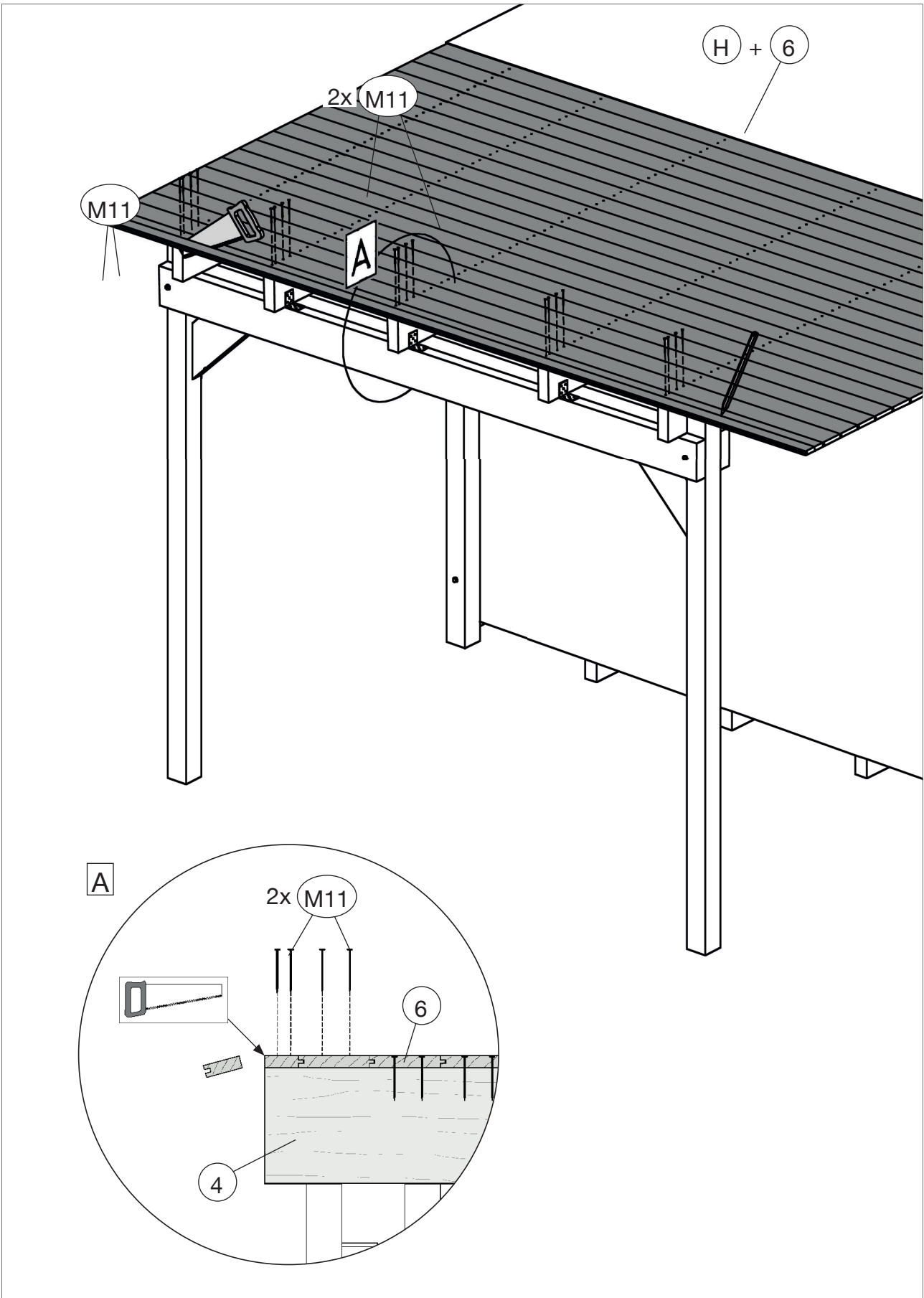
8

	M3	5,0 x 20
	M4	50/50/40





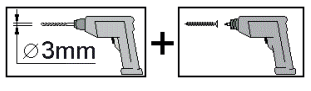
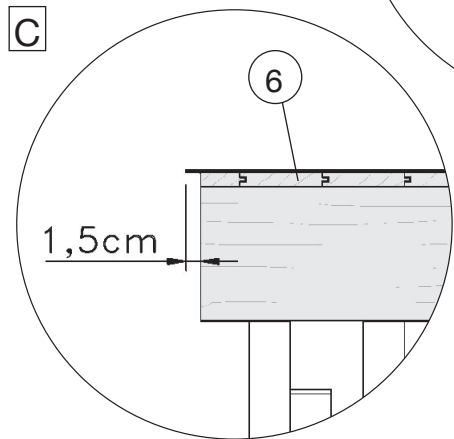
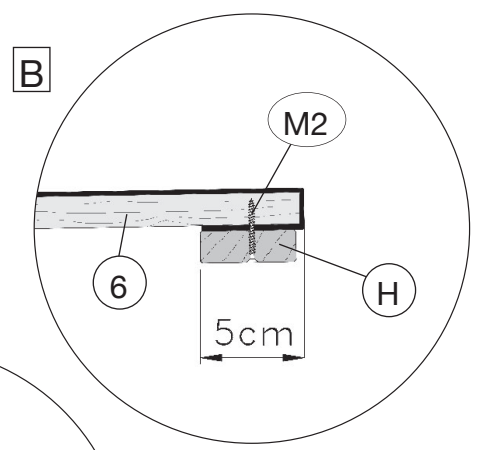
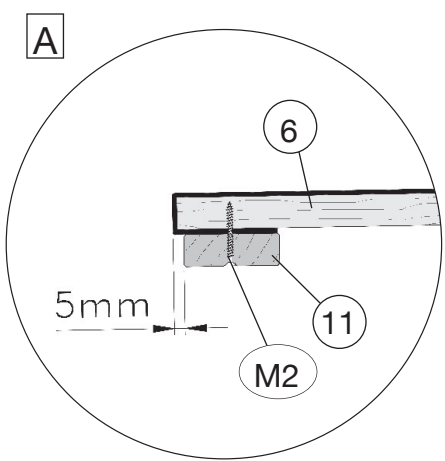
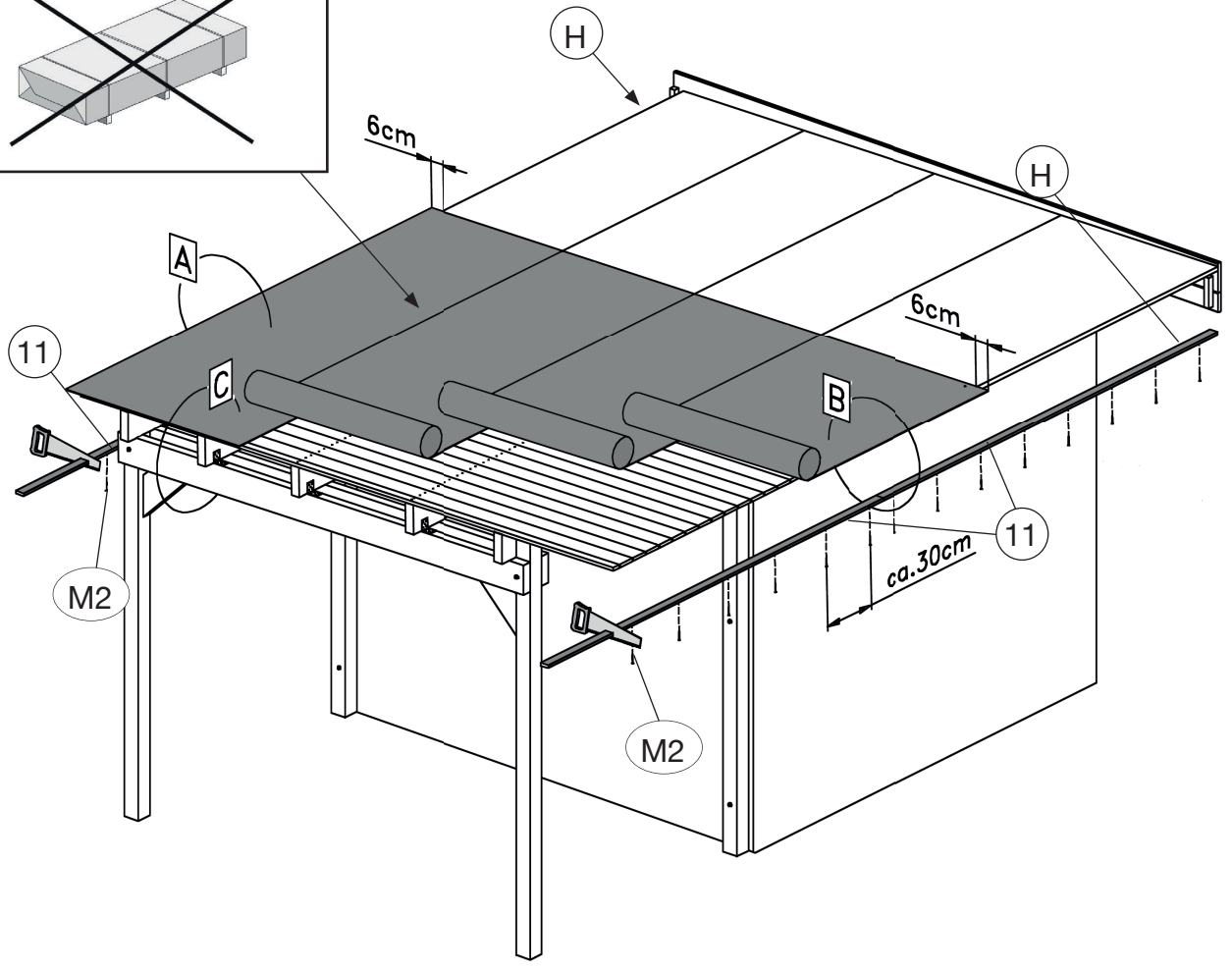
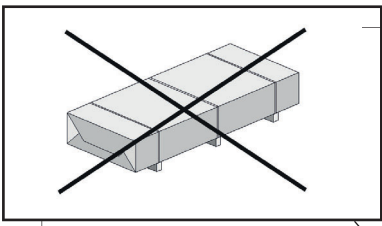
9

M11	2,2 x 55

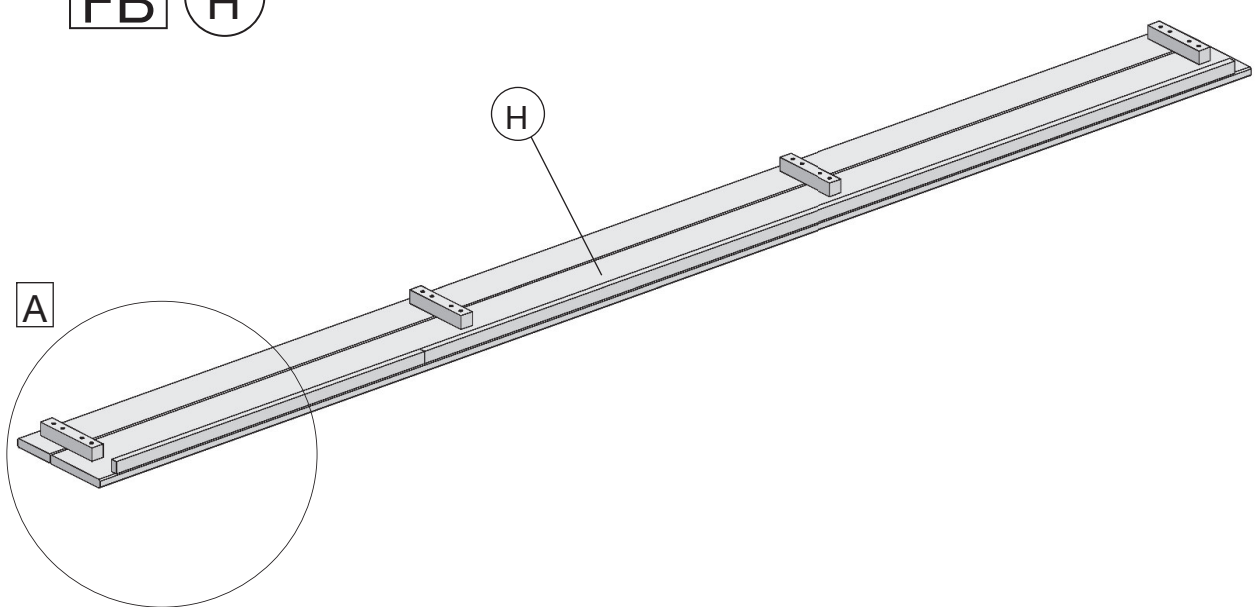


10

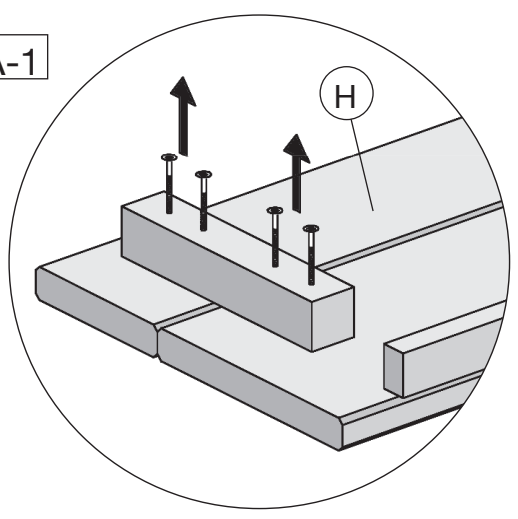
	M12	2,0 x 16
	M2	3,5 x 30



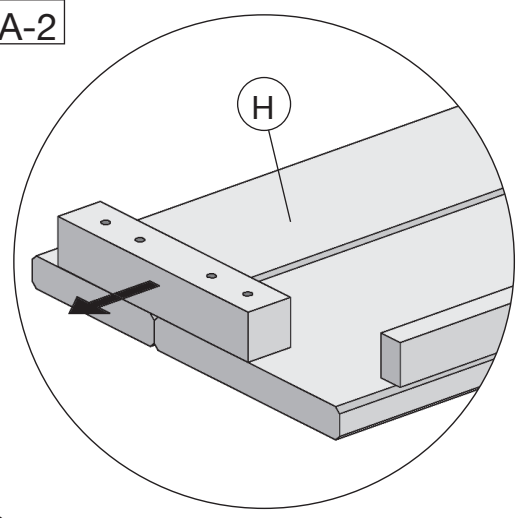
FB (H)



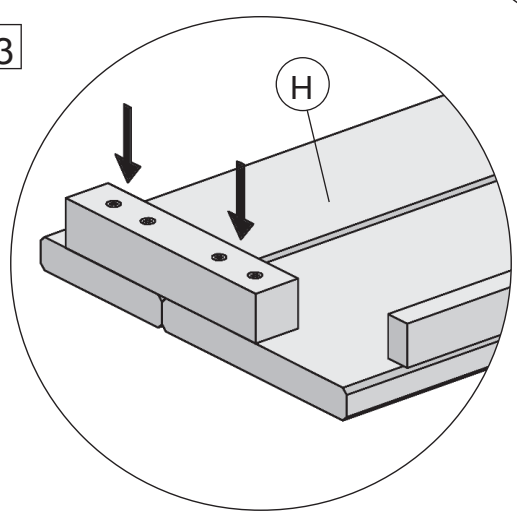
A-1



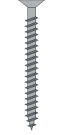
A-2

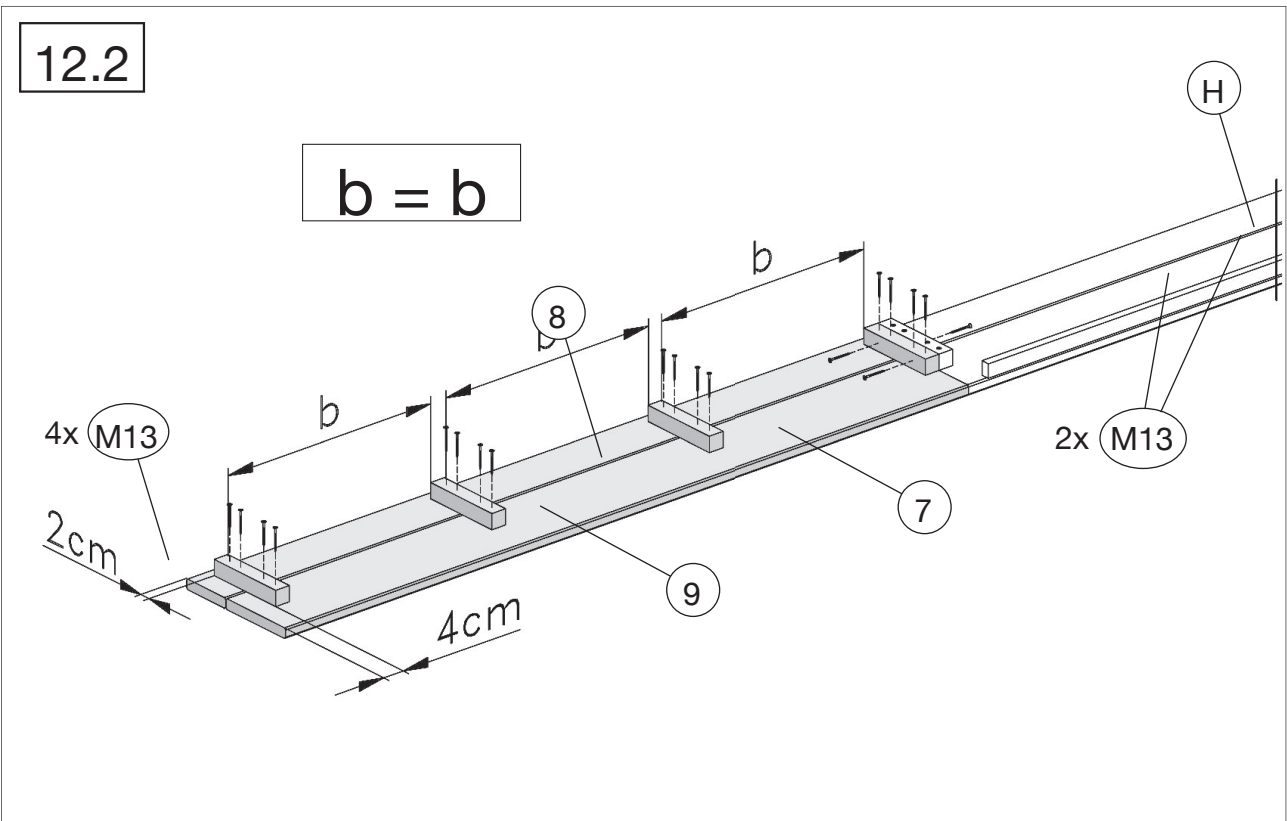
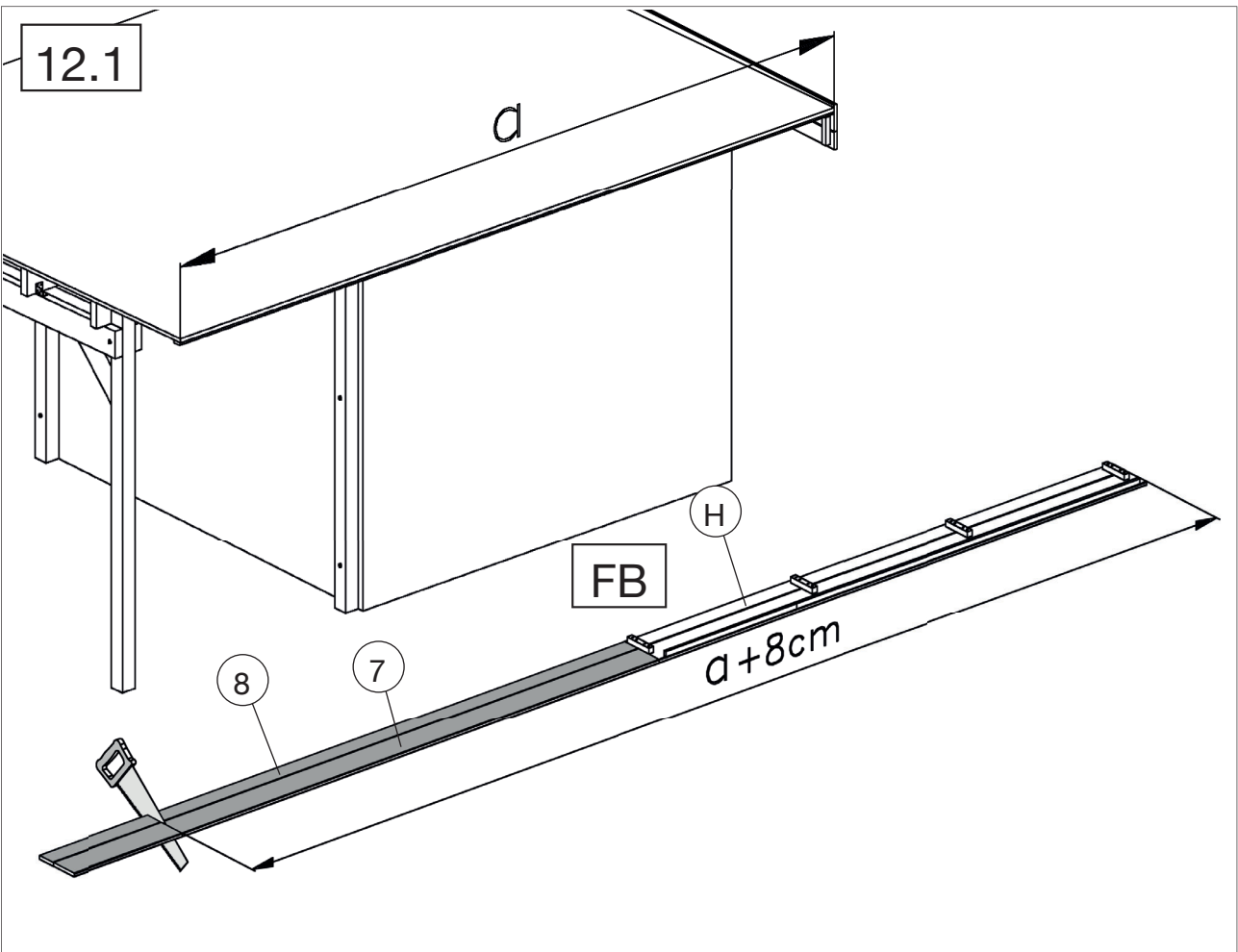


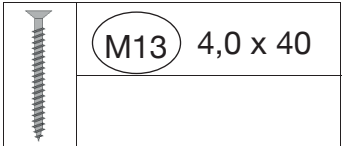
A-3



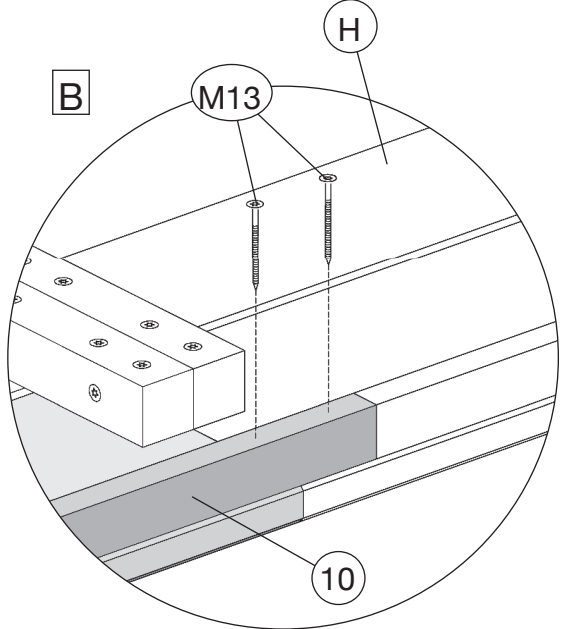
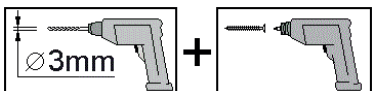
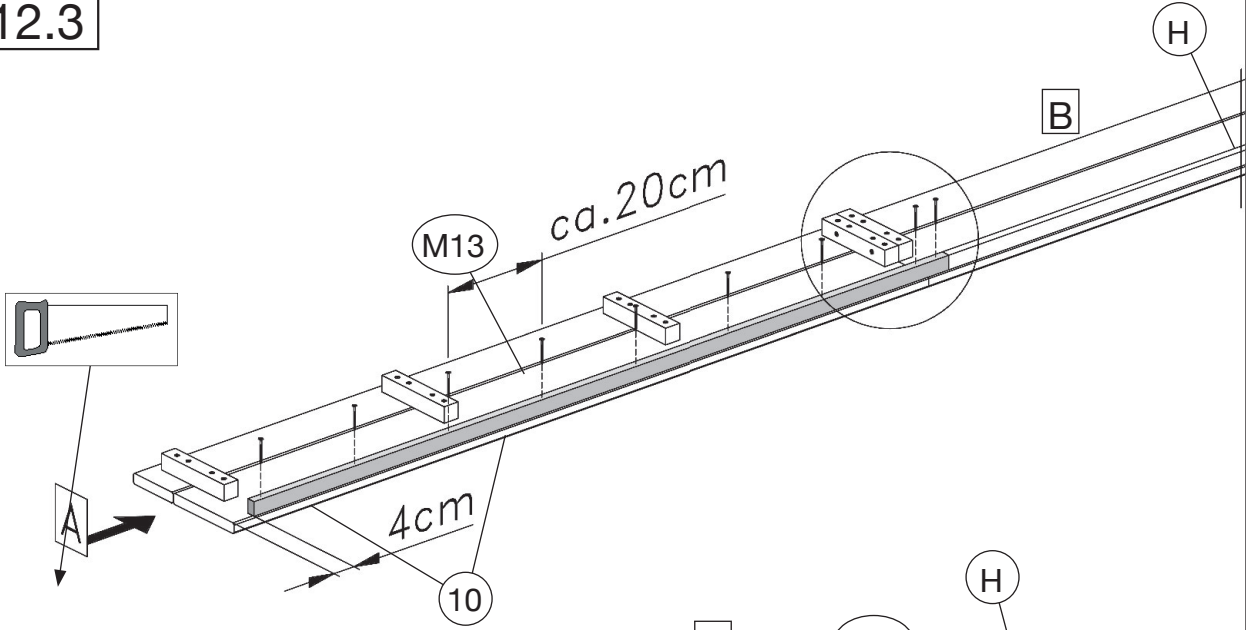
12

	M13 4,0 x 40
---	--------------

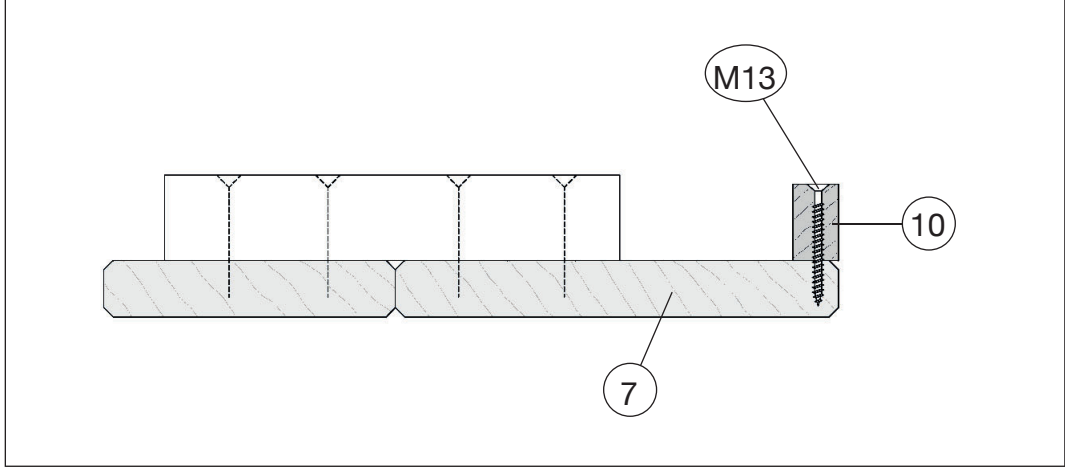


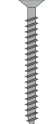


12.3

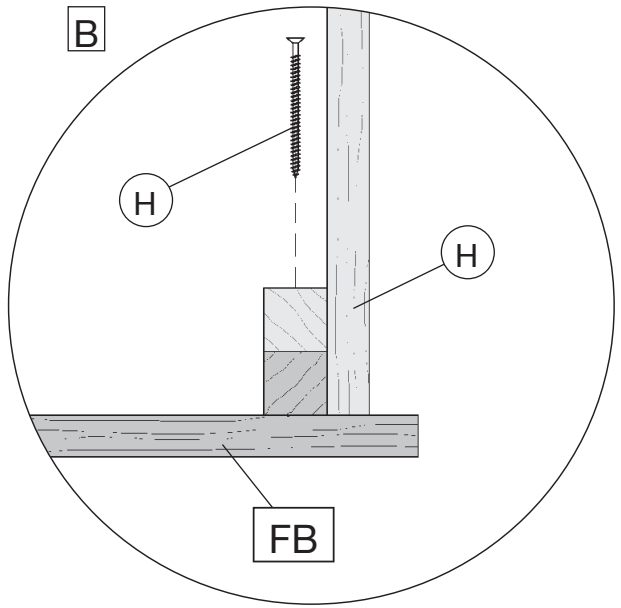
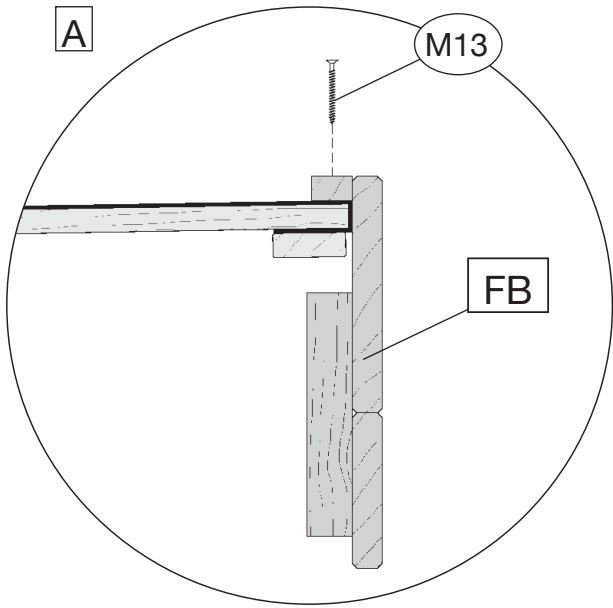
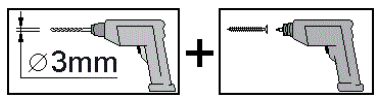
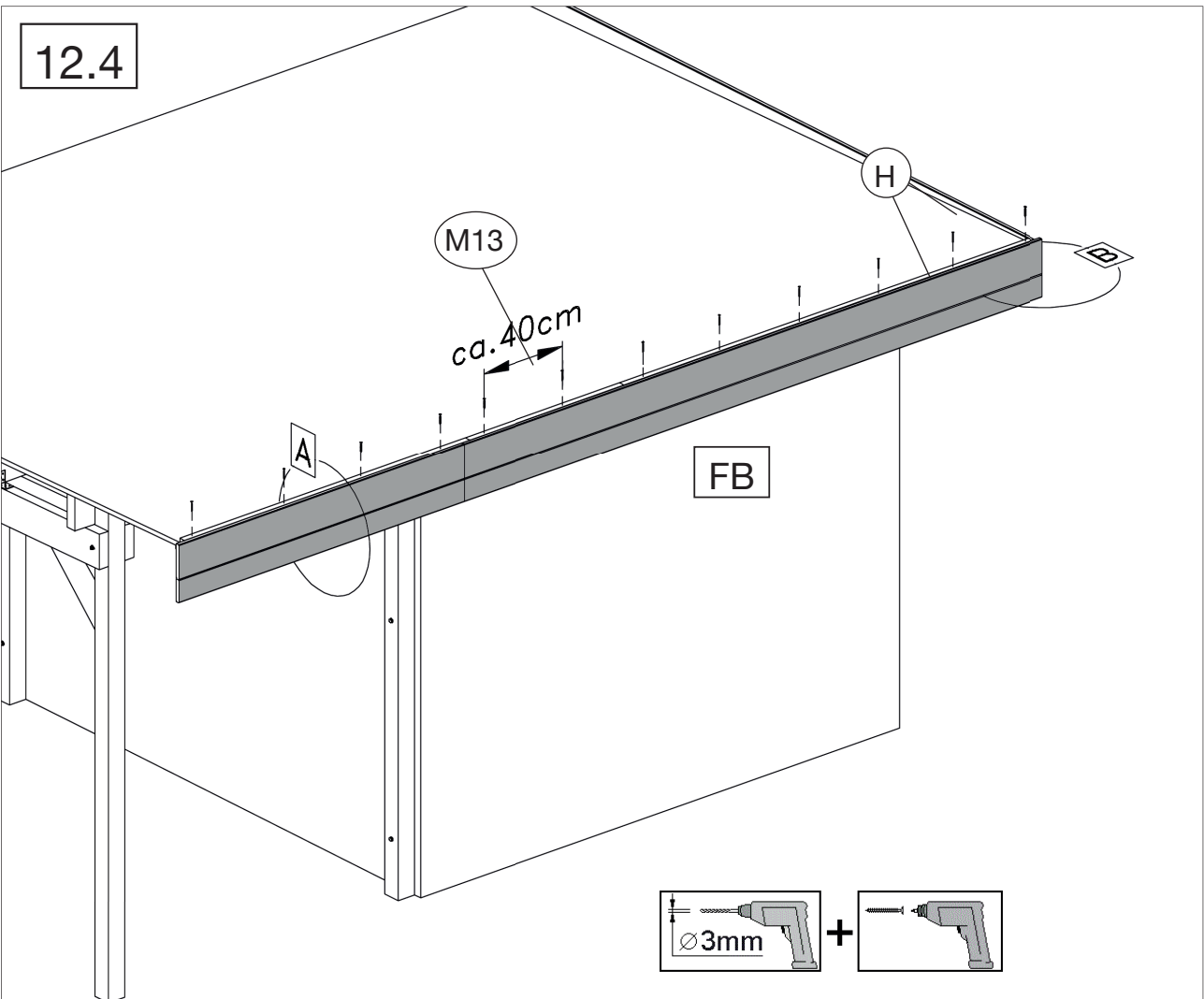


A

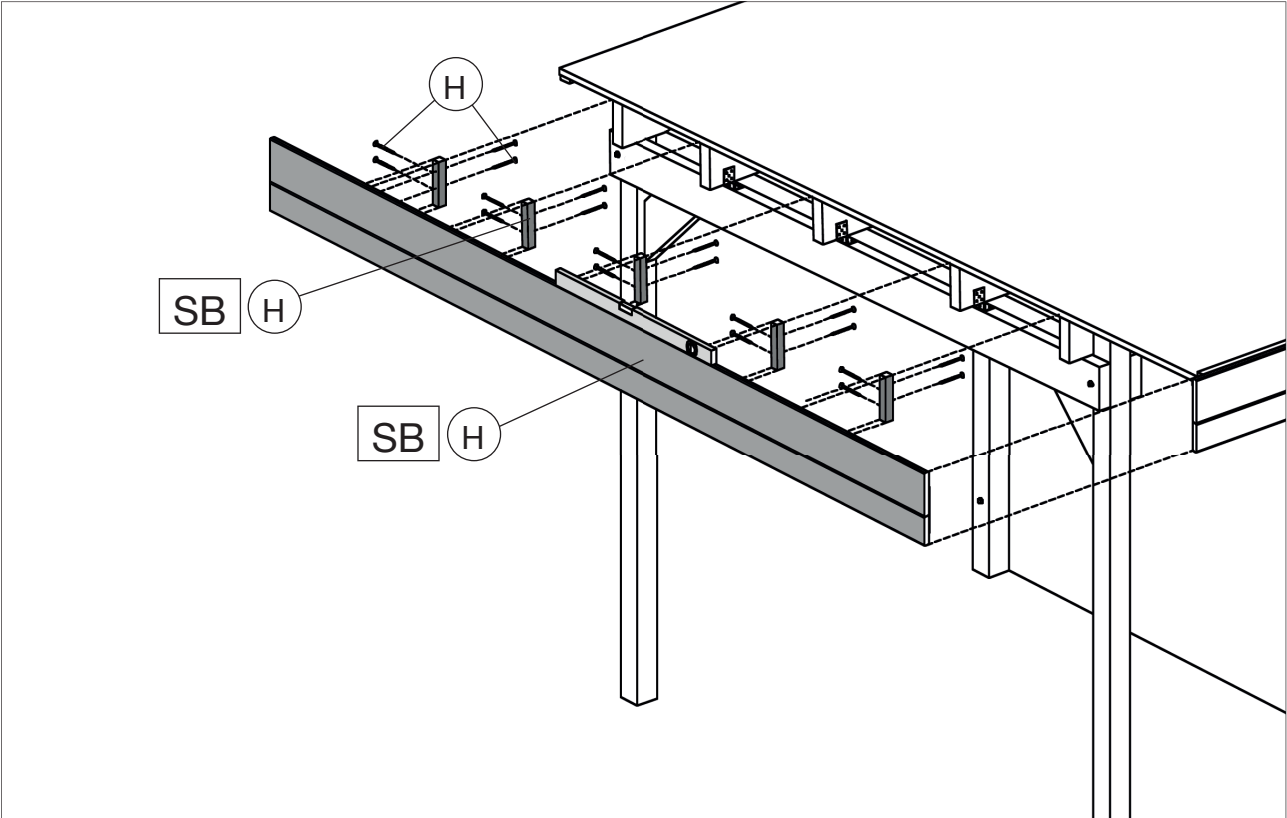


	M13 4,0 x 40
---	--------------

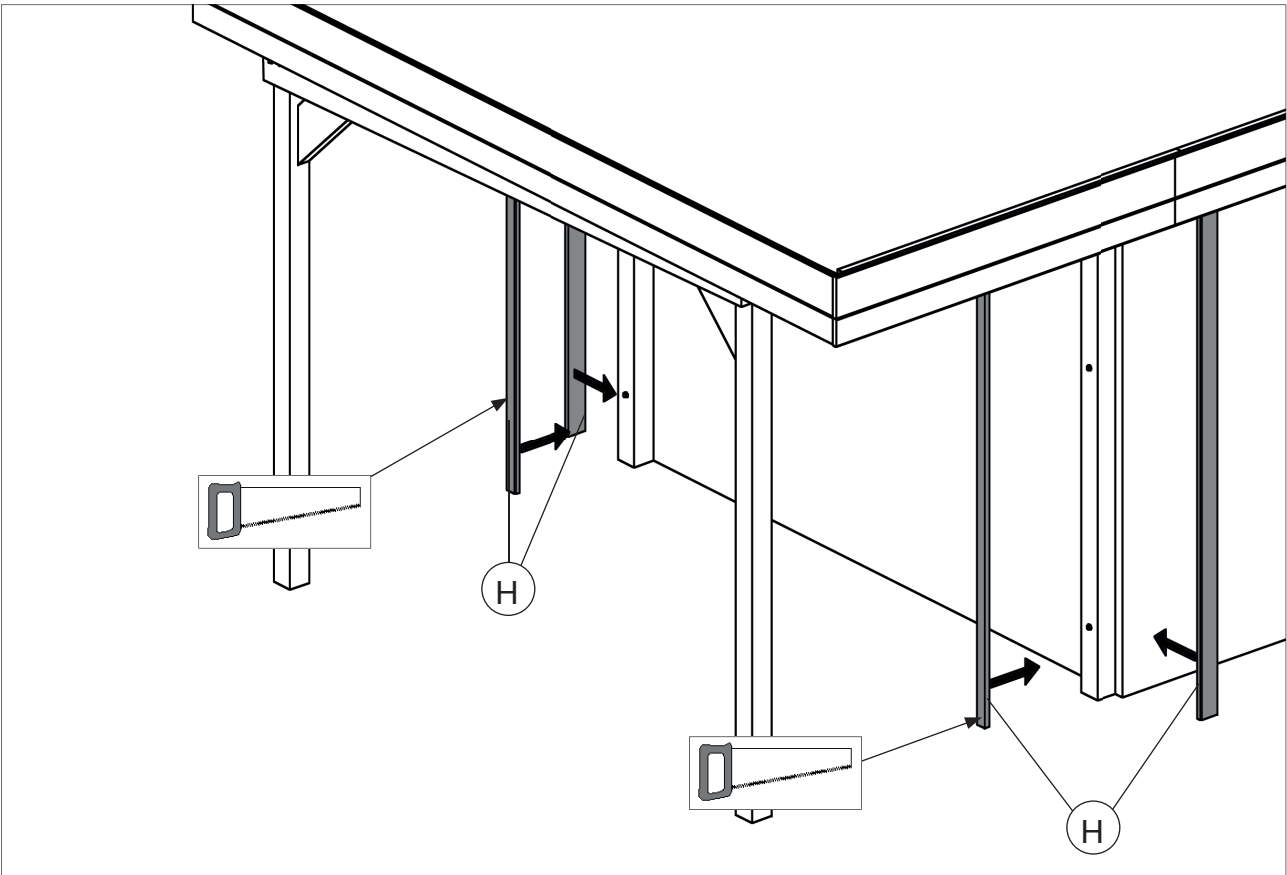
12.4



13



14



www.weka-holzbau.com



weka

WEKA Holzbau GmbH

Johannesstr. 16, 17034 Neubrandenburg

Tel.: +49 (0)395 42908-0

Fax: +49 (0)395 42908-83

Mail: info@weka-holzbau.com

Web: www.weka-holzbau.com

MA Art.-Nr.: 800.0286.17.63