



www.weka-holzbau.com



## Gartenhaus



122.3021.40001  
122.3021.43001  
122.3021.45001  
122.3021.46001

122.3024.40001  
122.3024.43001  
122.3024.45001  
122.3024.46001

122.3030.40001  
122.3030.43001  
122.3030.45001  
122.3030.46001

### Montage-, Bedienungs- und Wartungsanleitung



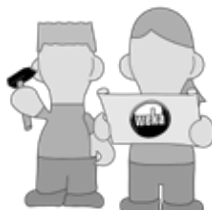
800.0286.17.77

+

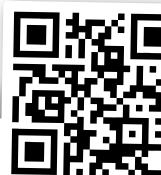


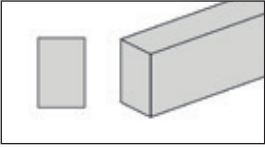
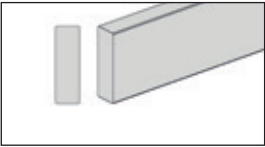
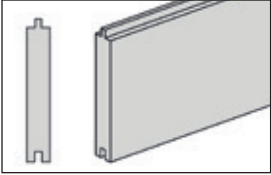
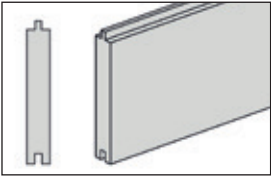
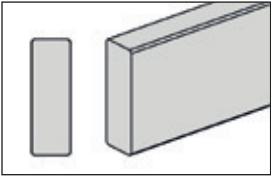
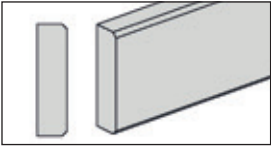

800.0286.20.02


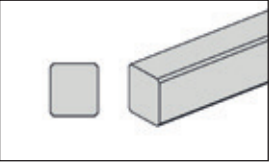

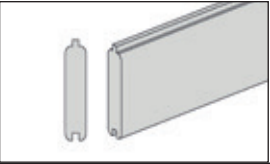
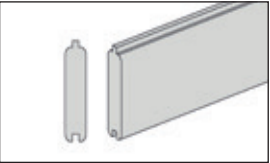
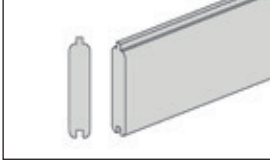
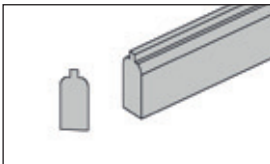
=

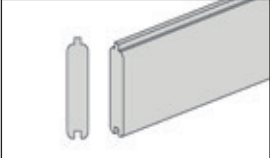

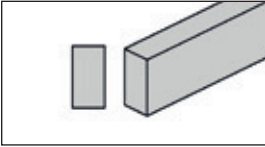

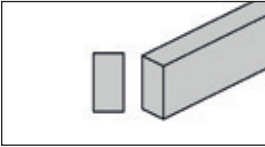
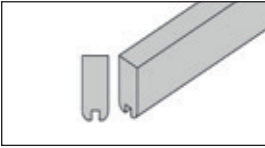

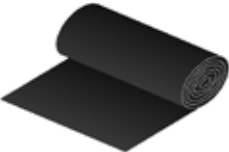









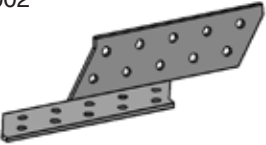
Jetzt  
scannen  
und noch  
mehr entdecken!







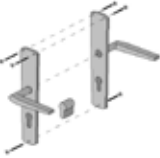
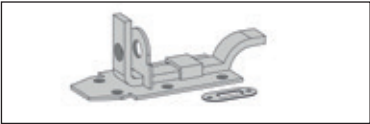


| Pos | Bild  | Abmessung<br>( mm )                       | Anzahl ( Stück ) |                 |                 |
|-----|---|---|------------------|-----------------|-----------------|
|     |   |   | 122.3021.4x0001  | 122.3024.4x0001 | 122.3030.4x0001 |
| 1   | R002.0650.2050<br>R002.0650.2350<br>R002.0650.2950<br> | 40/60/2050<br>40/60/2350<br>40/60/2950    | 5<br>-<br>-      | -<br>5<br>-     | -<br>-<br>5     |
| 2   | R002.0350.2350<br>R002.0350.2700<br>R002.0350.3200<br> | 45/146/2350<br>45/146/2700<br>45/146/3200 | 1<br>-<br>-      | -<br>1<br>-     | -<br>-<br>1     |
| 3   | R002.0091.2950<br>                                    | 15,5/96/2950                              | 23               | 26              | 33              |
| 4   | R002.0091.1962<br>                                   | 15,5/96/1962                              | 54               | 60              | 72              |
| 5   | R002.0530.1775<br>                                   | 15/45/1775                                | 3                | 4               | 4               |
| 6   | R002.0425.1950<br>R010.0425.1950<br>                 | 18,5/70/1950                              | 8                | 8               | 8               |
| 7   | G100.07.0070<br>G100.07.1020<br>                     | 18,5/146/2050                             | 4                | 4               | 4               |

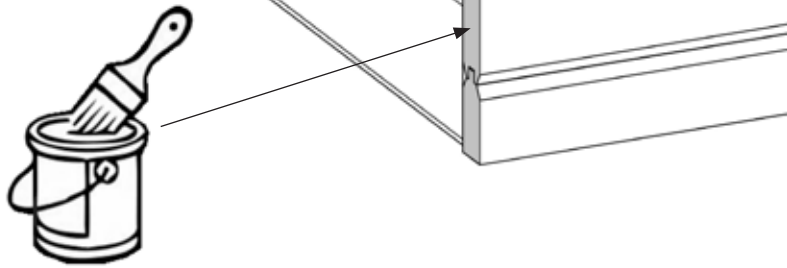
| Pos | Bild  | Abmessung<br>( mm )                       | Anzahl ( Stück) |                 |                 |
|-----|---|---|-----------------|-----------------|-----------------|
|     |   |   | 122.3021.4x0001 | 122.3024.4x0001 | 122.3030.4x0001 |
| 8   | <br>G100.10.0001<br>G100.10.1001   | 18,5/160/260                              | 2               | 2               | 2               |
| 9   | <br>R002.0225.1930   | 40/40/1930                                | 4               | 4               | 4               |
| 10  | <br>B122.02.0002<br>B122.208.0002<br>B122.211.0002<br>B122.212.0002  | 28/564/2950                               | 2               | 2               | 2               |
| 11  | <br>R002.0035.2950<br>R208.0035.2950<br>R211.0035.2950<br>R212.0035.2950   | 28/121/2950                               | 16              | 16              | 16              |
| 12  | <br>R002.0035.2050<br>R208.0035.2050<br>R211.0035.2050<br>R212.0035.2050<br>R002.0035.2350<br>R208.0035.2350<br>R211.0035.2350<br>R212.0035.2350<br>R002.0035.2950<br>R208.0035.2950<br>R211.0035.2950<br>R212.0035.2950 | 28/121/2050<br>28/121/2350<br>28/121/2950 | 32<br>-<br>-    | -<br>32<br>-    | -<br>-<br>32    |
| 13  | <br>R002.0035.2350<br>R208.0035.2350<br>R211.0035.2350<br>R212.0035.2350<br>R002.0035.2700<br>R208.0035.2700<br>R211.0035.2700<br>R212.0035.2700<br>R002.0035.3200<br>R208.0035.3200<br>R211.0035.3200<br>R212.0035.3200 | 28/121/2350<br>28/121/2700<br>28/121/3200 | 2<br>-<br>-     | -<br>2<br>-     | -<br>-<br>2     |
| 14  | <br>G122.01.0006<br>G126.208.0016<br>G126.211.0016<br>G126.212.0016  | 28/63/2950                                | 2               | 2               | 2               |

| Pos | Bild  | Abmessung<br>( mm ) | Anzahl ( Stück) |                 |                 |
|-----|---|---------------------|-----------------|-----------------|-----------------|
|     |   |                     | 122.3021.4x0001 | 122.3024.4x0001 | 122.3030.4x0001 |
| 15  | R002.0035.0580<br>R208.0035.0580<br>R211.0035.0580<br>R212.0035.0580<br> | 28/121/580          | 32              | 32              | 32              |
| 16  | A100.12.2930<br>A100.12.2970<br>E100.12.0001<br>                         | 62/1820/1810        | 1               | 1               | 1               |
| 17  | R002.0181.1805<br>  | 15/28/1805          | 2               | 2               | 2               |
| 18  | B100.03.0062<br>B100.03.1062<br>                                       | 35/60/1850          | 1               | 1               | 1               |
| 19  | G100.01.0005<br>   | 15/25/1850          | 1               | 1               | 1               |
| 20  | G105.01.0006<br>   | 28/60/300           | 4               | 4               | 4               |
| 21  | K127.1517.0001<br>   | 5/15/1750           | 1               | 1               | 1               |
| 22  | 100.1005.00.00<br>100.1008.00.00<br>                                   | 10qm<br>5qm         | 1<br>1          | 1<br>1          | 1<br>1          |

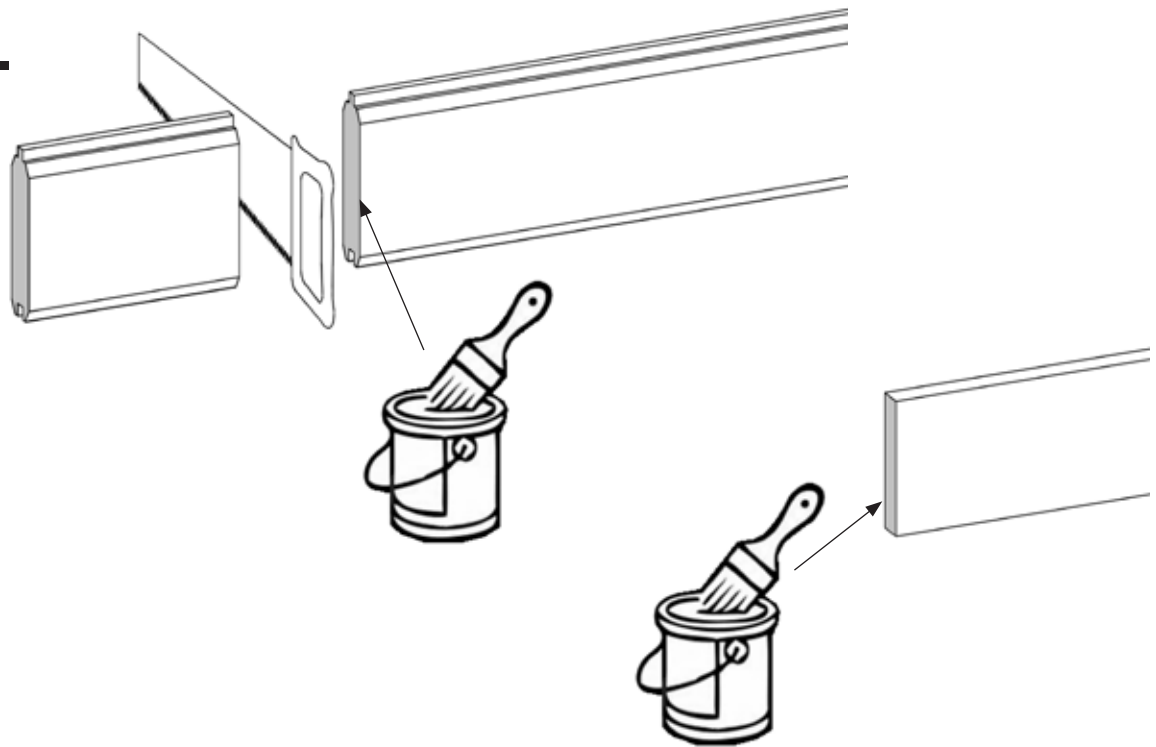
| M100.101 |   | Abmessung<br>( mm ) | Anzahl ( Stück ) |                 |                 |
|----------|---|---------------------|------------------|-----------------|-----------------|
|          |   |                     | 122.3021.4x0001  | 122.3024.4x0001 | 122.3030.4x0001 |
| Pos      | Bild  |                     |                  |                 |                 |
| M1       | K001.8050.0004<br>   | 5,0 x 80            | 20               | 20              | 20              |
| M2       | K001.6040.0004<br>   | 4,0 x 60            | 350              | 350             | 350             |
| M3       | K001.4040.0004<br>   | 4,0 x 40            | 150              | 150             | 150             |
| M4       | K001.3030.0004<br>   | 3,0 x 30            | 20               | 20              | 20              |
| M5       | K002.2050.0004<br> | 5,0 x 20            | 24               | 24              | 24              |
| M6       | K010.5022.0001<br> | 2,2 x 55            | 700              | 700             | 700             |
| M7       | K011.1320.0001<br> | 2,0 x 13            | 600              | 600             | 600             |
| M8       | K075.2100.0002<br> | 32/32/170           | 2                | 2               | 2               |

| M100.045 |   | Abmessung<br>( mm ) | Anzahl ( Stück) |                 |                 |
|----------|---|---------------------|-----------------|-----------------|-----------------|
|          |   |                     | 122.3021.4x0001 | 122.3024.4x0001 | 122.3030.4x0001 |
| Pos      | Bild  |                     |                 |                 |                 |
| M9       | K001.6040.0004<br>                     | 4,0 x 60            | 10              | 10              | 10              |
| M10      | K001.3535.0004<br>                     | 3,5 x 35            | 7               | 7               | 7               |
| M11      | K001.3030.0004<br>                     | 3,0 x 30            | 4               | 4               | 4               |
| M12      | K001.1635.0004<br>                    | 3,5 x 16            | 16              | 16              | 16              |
| M13      | K001.4040.0004<br>                   | 4,0 x 40            | 20              | 20              | 20              |
| M14      | K010.3016.0001<br>                   | 1,6 x 30            | 16              | 16              | 16              |
| M15      | K045.1270.0001<br>K036.3135.0001<br> | -                   | 1               | 1               | 1               |
| M16      | K050.5010.0001<br>                   | 50 x 100            | 2               | 2               | 2               |

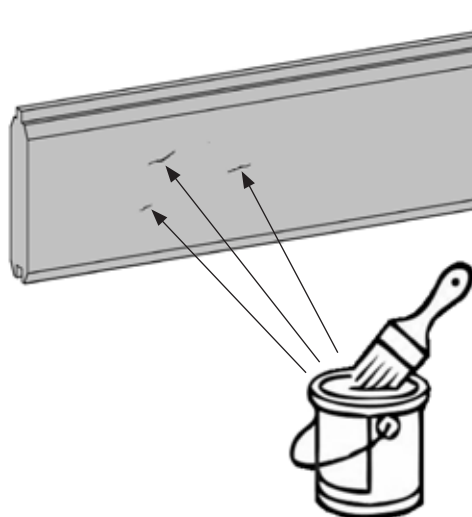
1.



2.

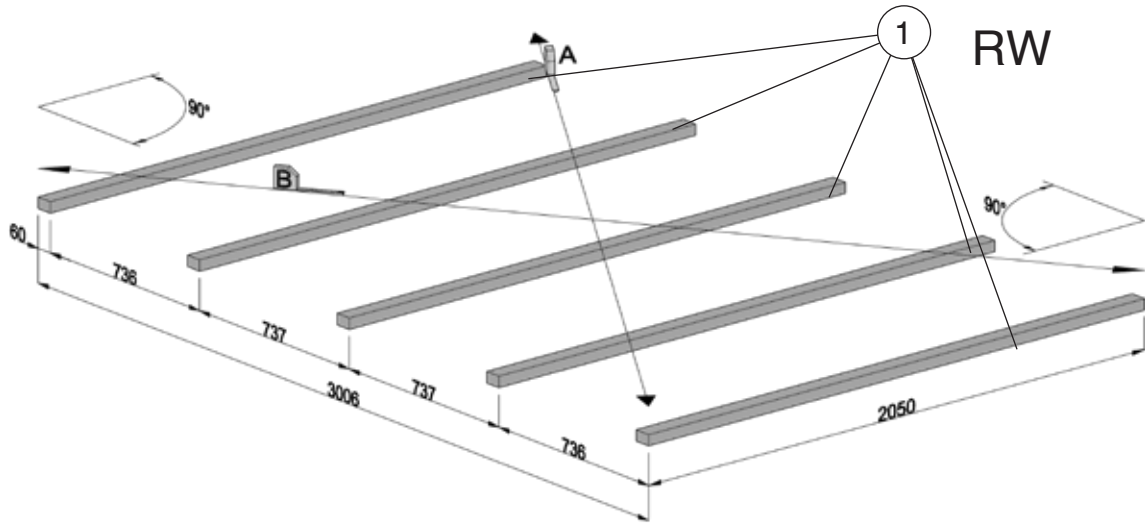
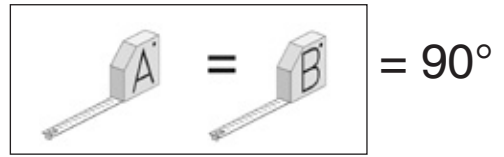


3.



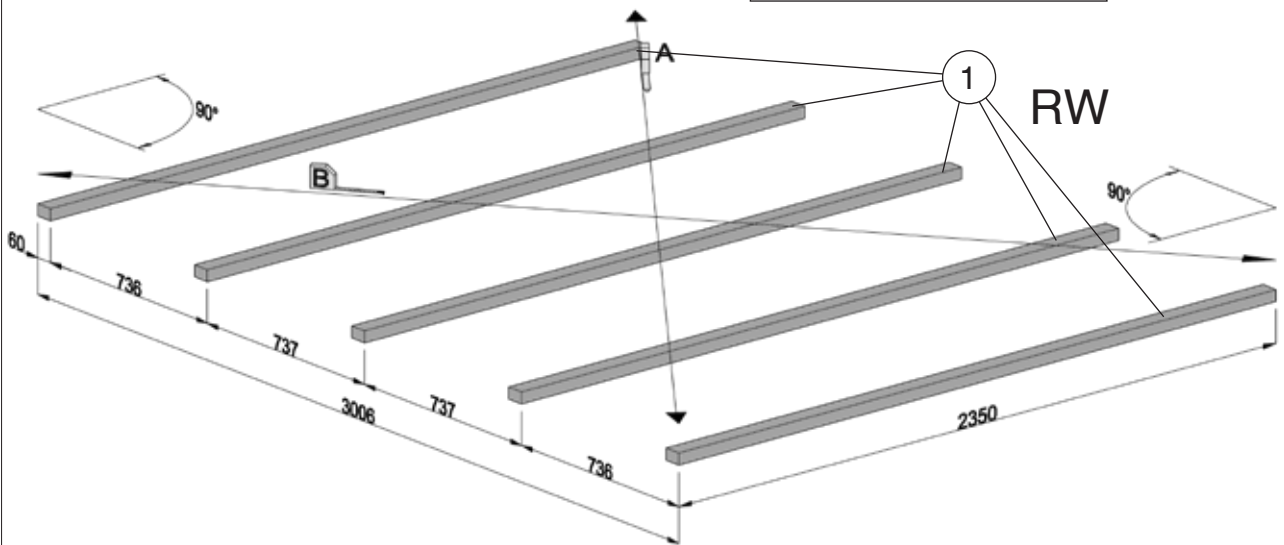
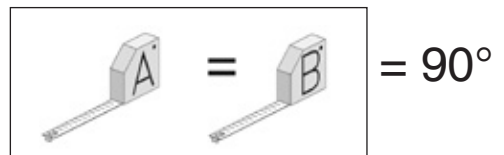
1

**Art.-Nr.: 122.3021.4X001**



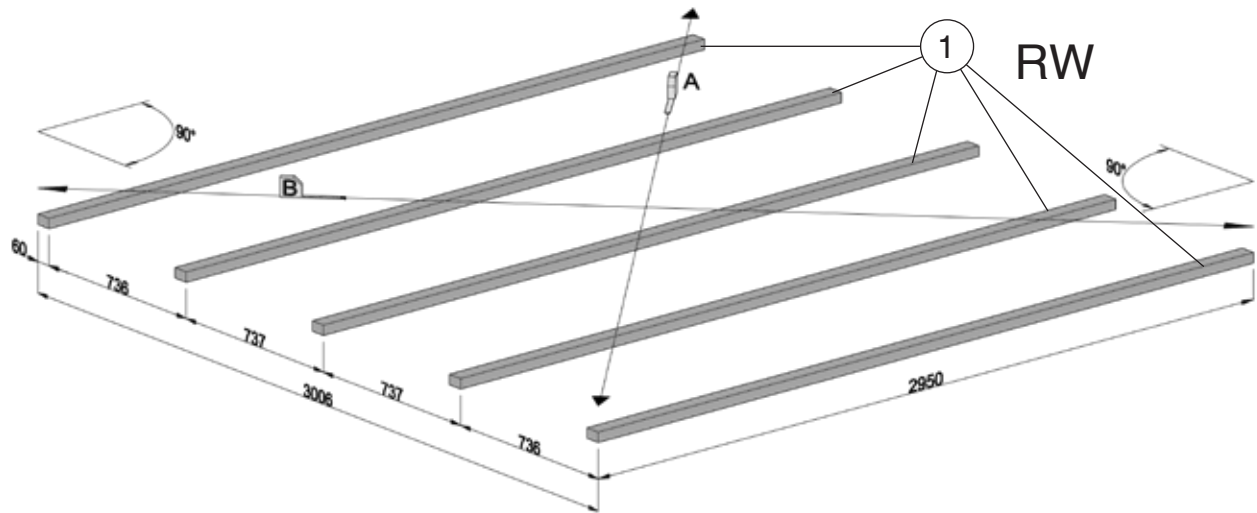
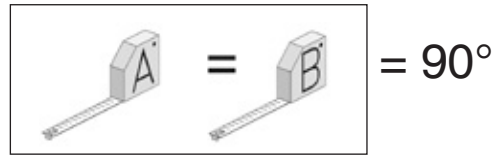
2

**Art.-Nr.: 122.3024.4X001**





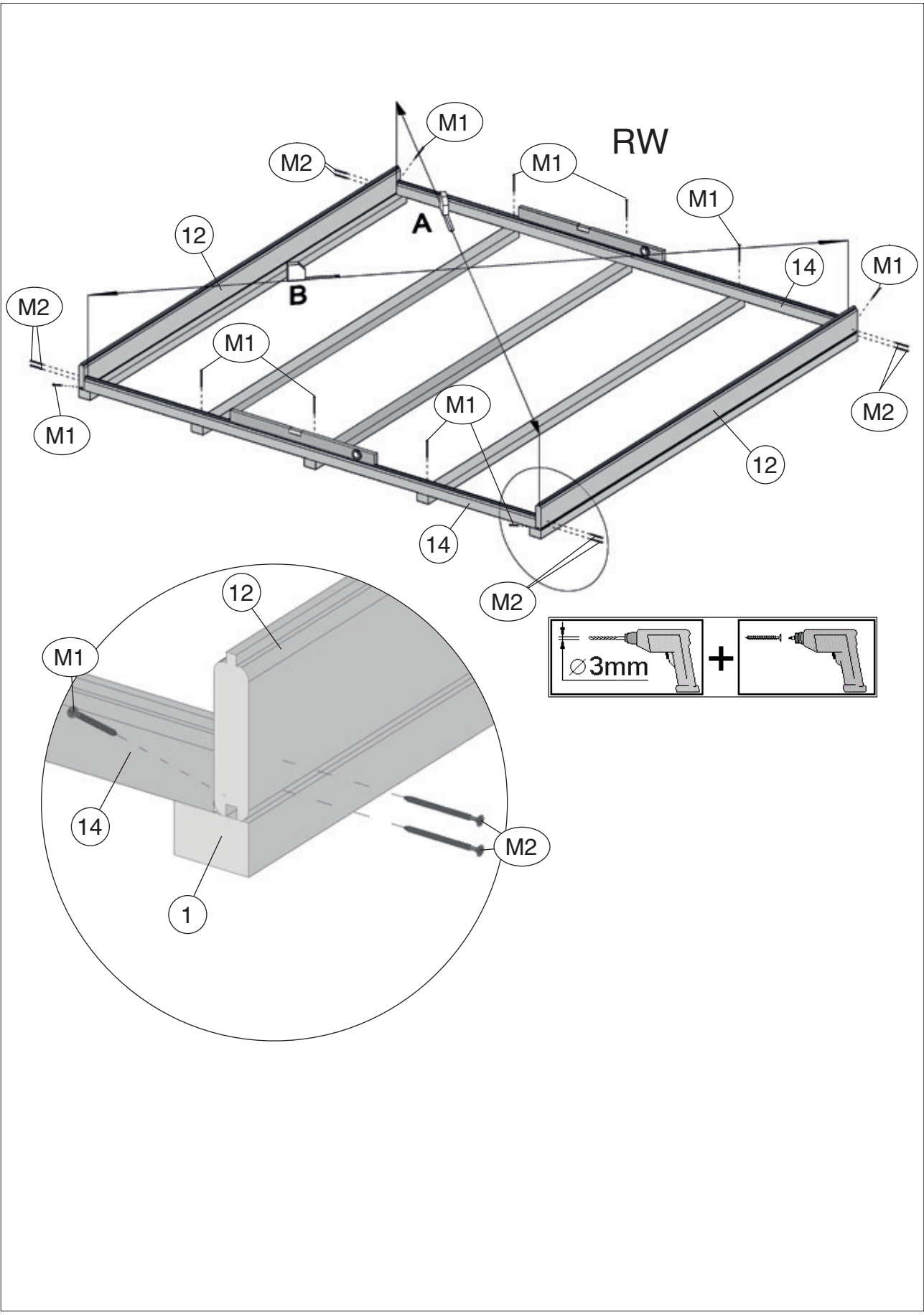


**Art.-Nr.: 122.3030.4X001**



3

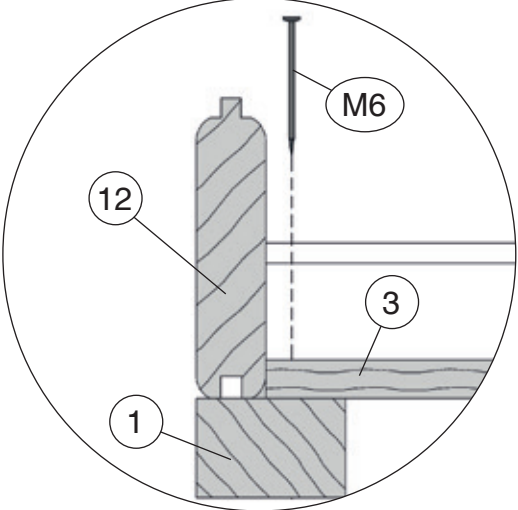
|   |             |
|---|-------------|
|  | M1 5,0 x 80 |
|  | M2 4,0 x 60 |



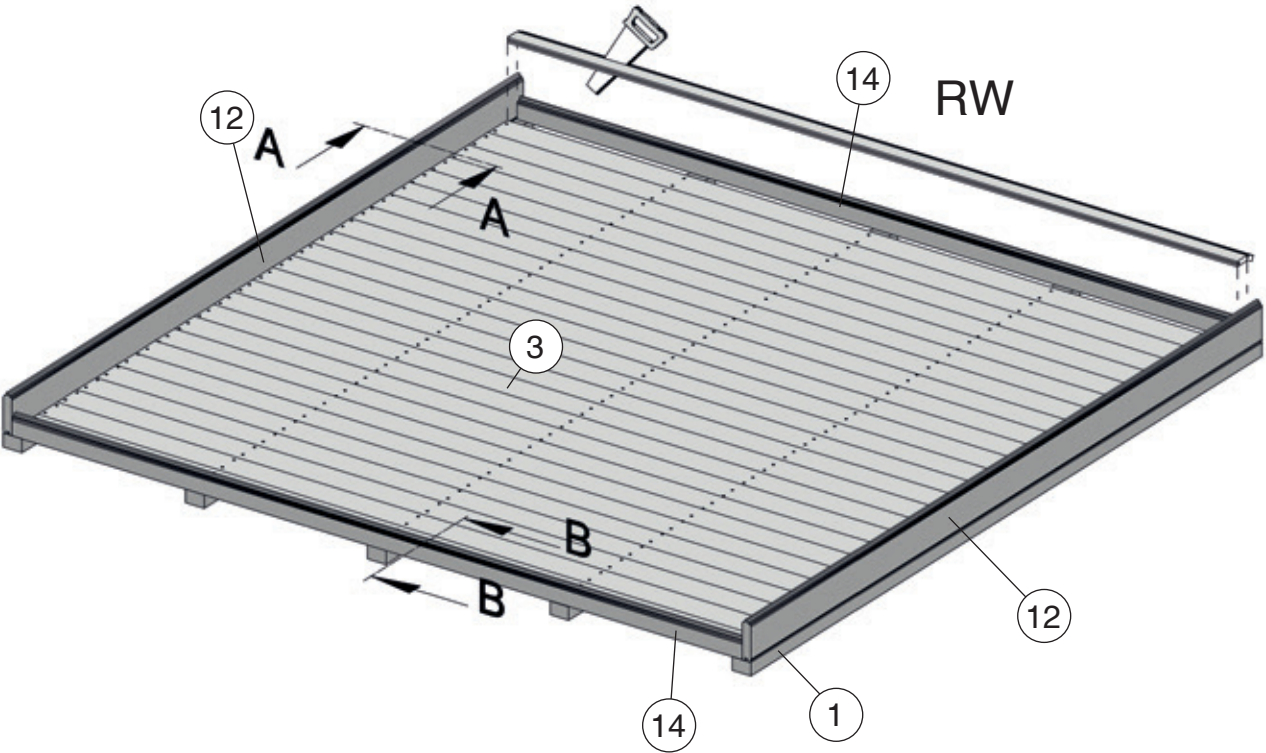
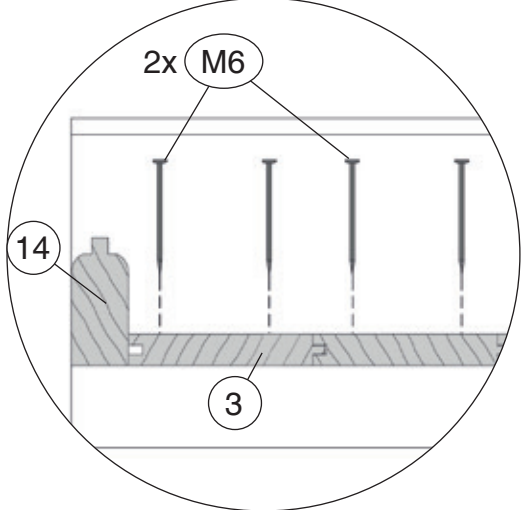
4

|   |             |
|---|-------------|
|  | M6 2,2 x 55 |
|   |             |



A-A

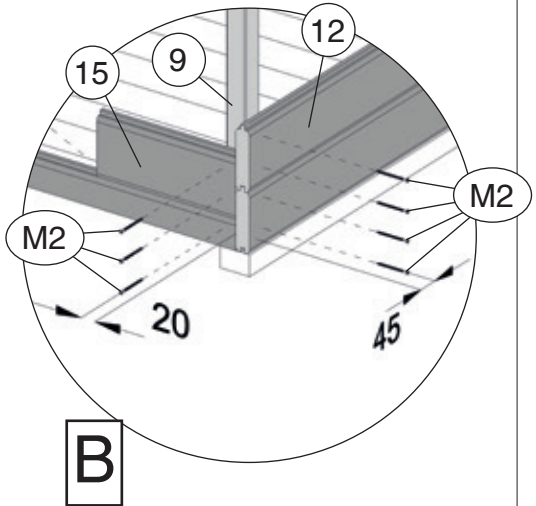
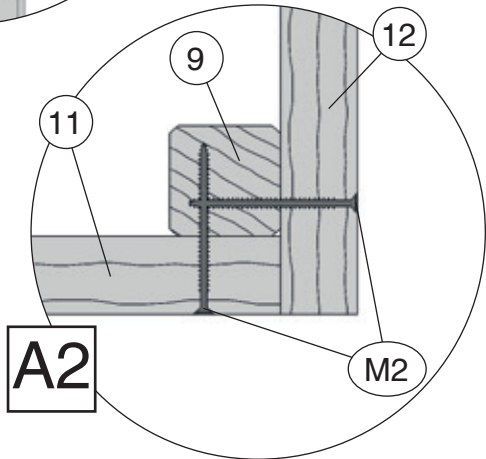
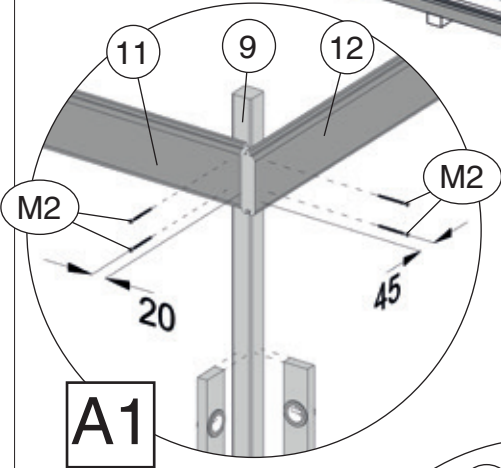
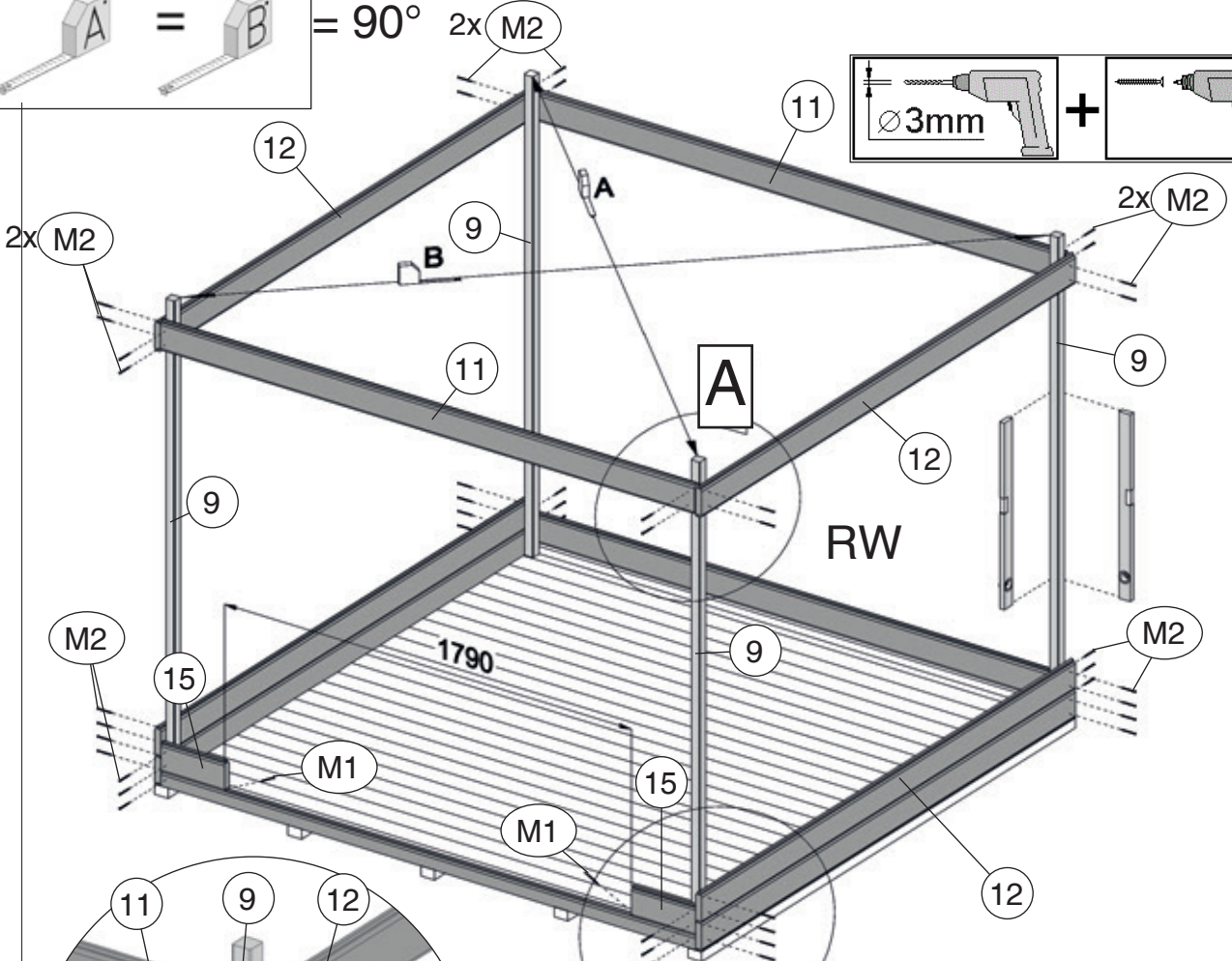
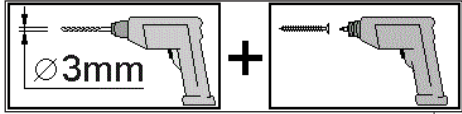
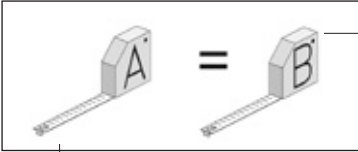


B-B



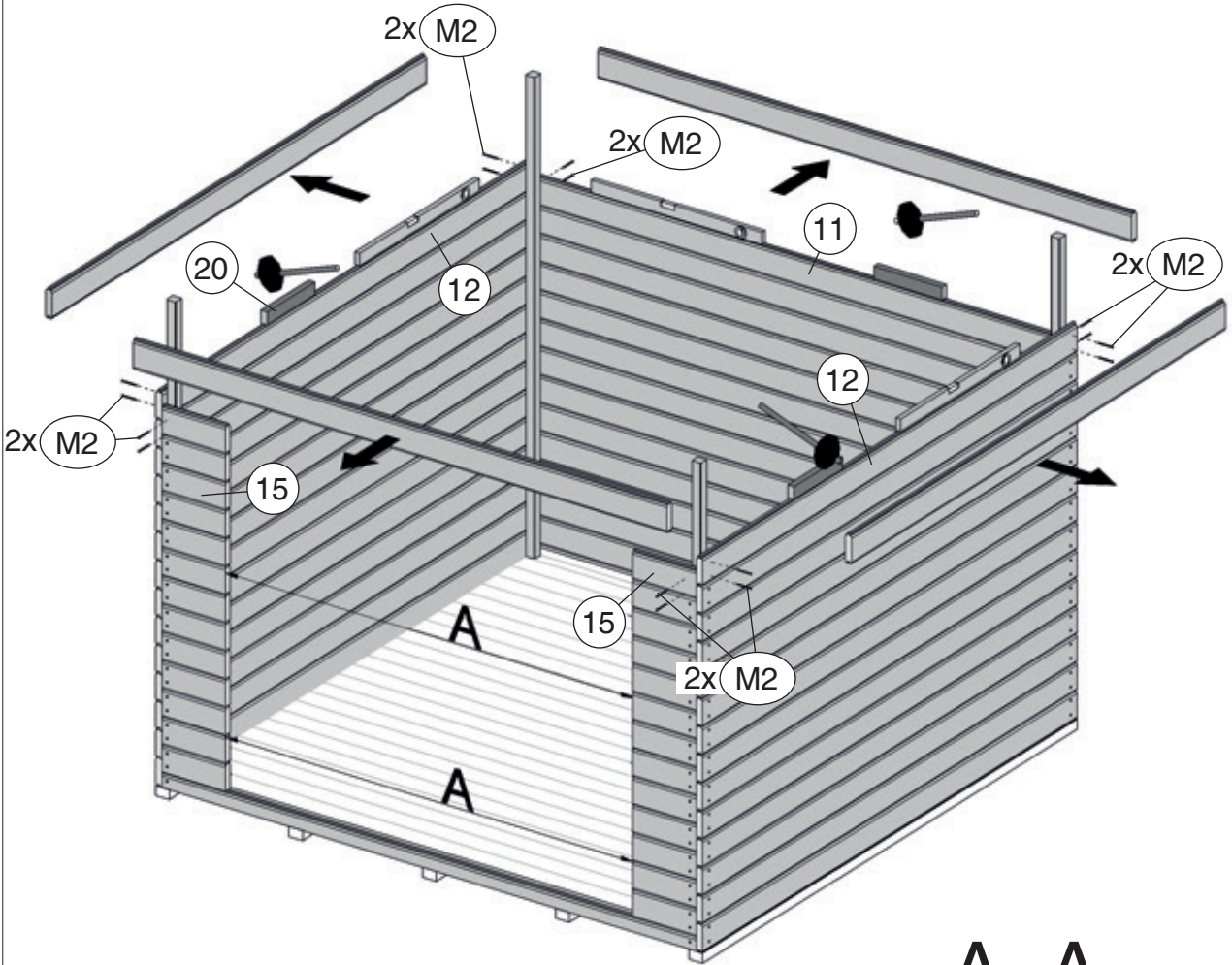
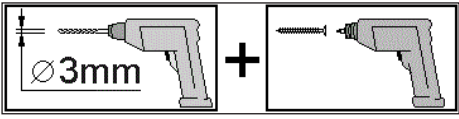
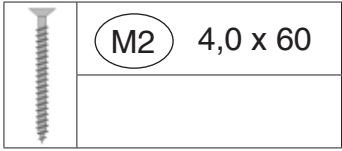
5

|   |    |          |
|---|----|----------|
|  | M1 | 5,0 x 80 |
|  | M2 | 4,0 x 60 |



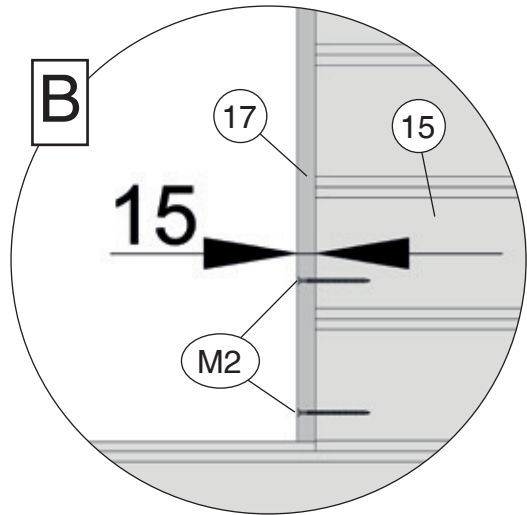
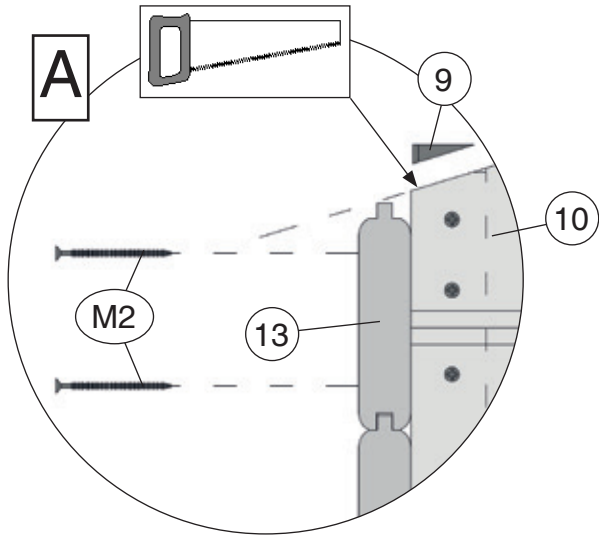
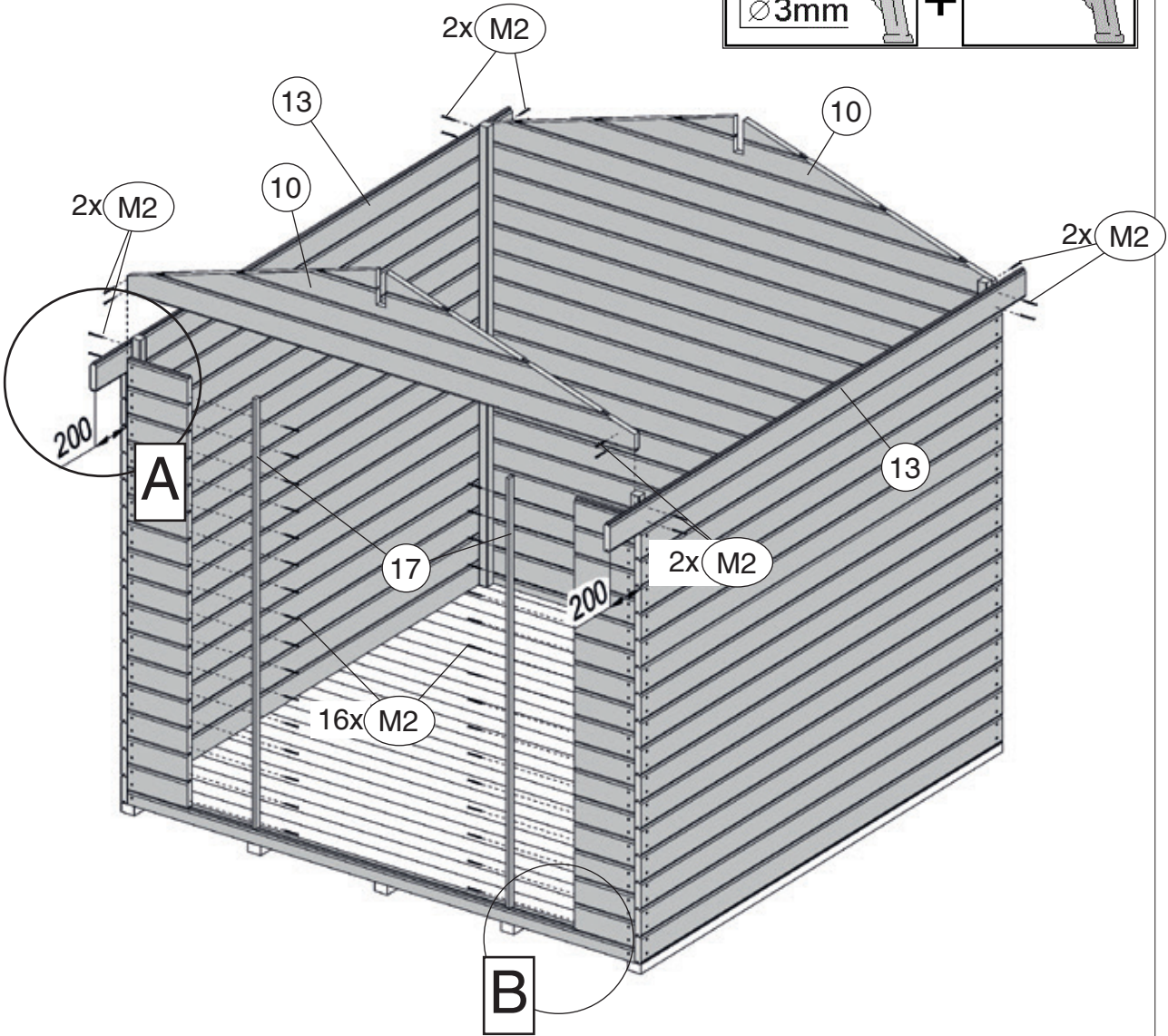
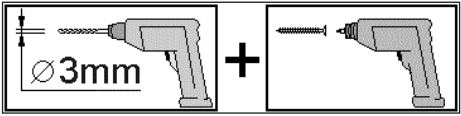
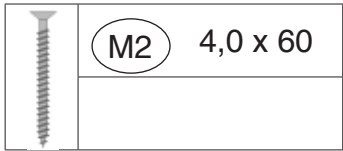


6




A=A


7




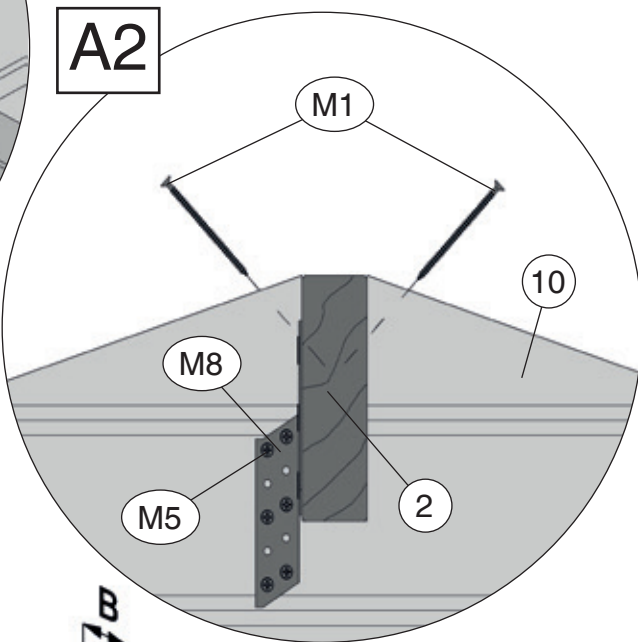
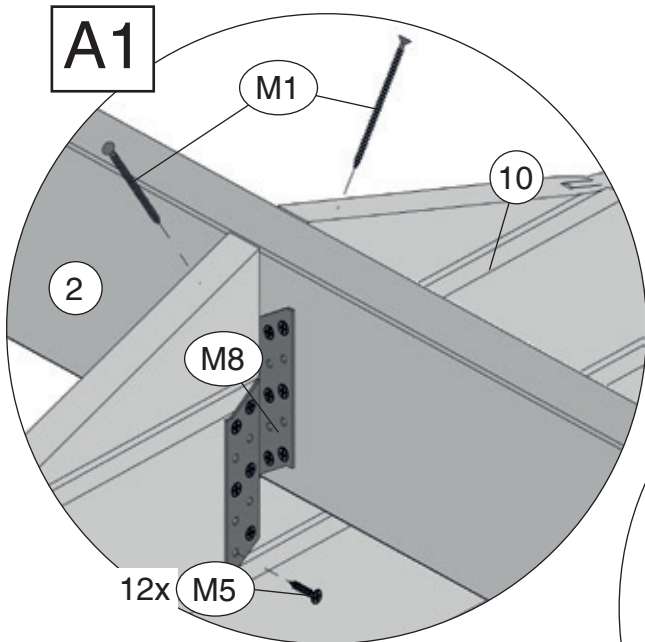


8

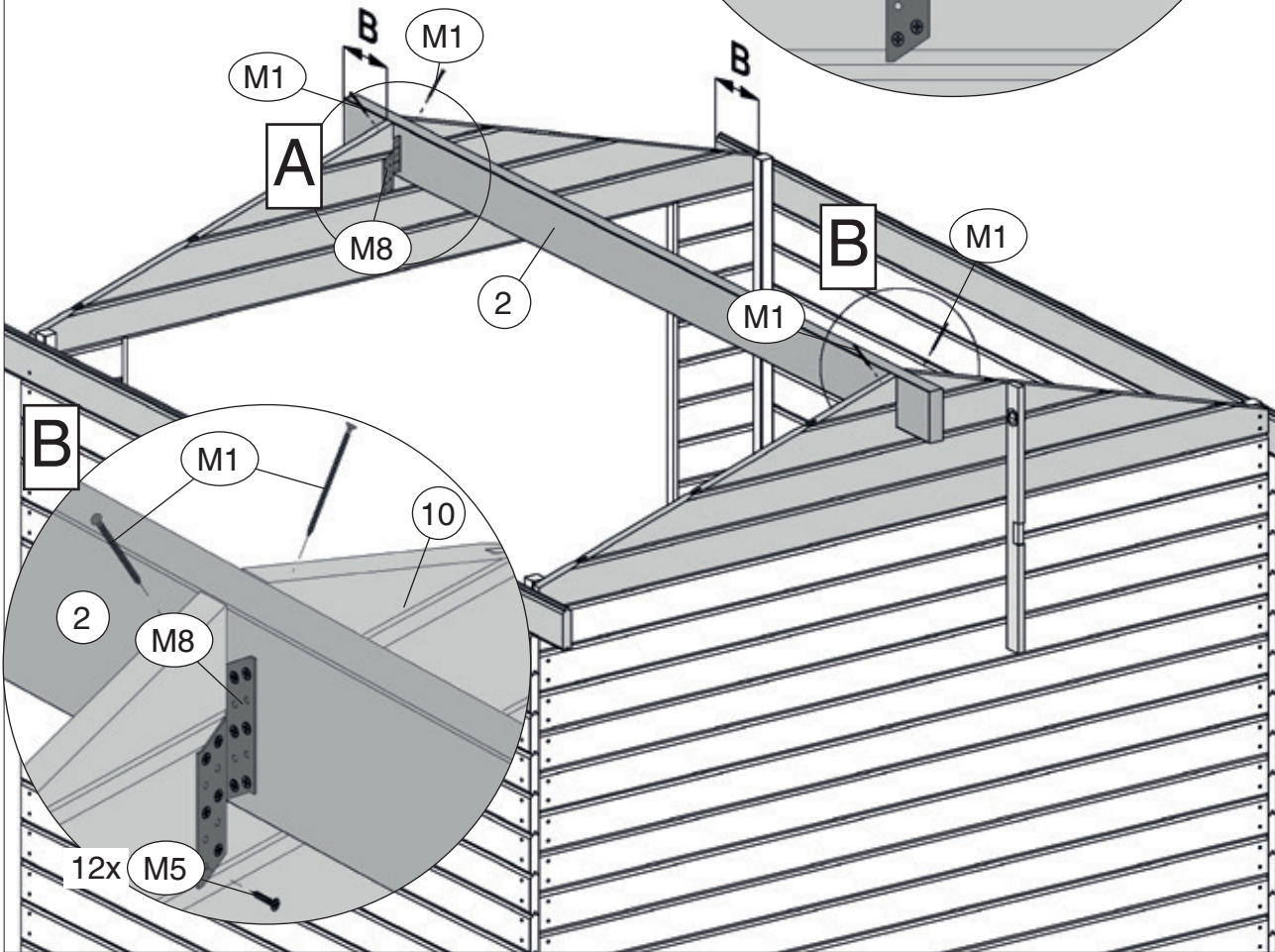
|   |              |
|---|--------------|
|  | M8 32/32/170 |
|   |              |

|   |             |
|---|-------------|
|  | M1 5,0 x 80 |
|   |             |

|   |             |
|---|-------------|
|  | M5 5,0 x 20 |
|   |             |

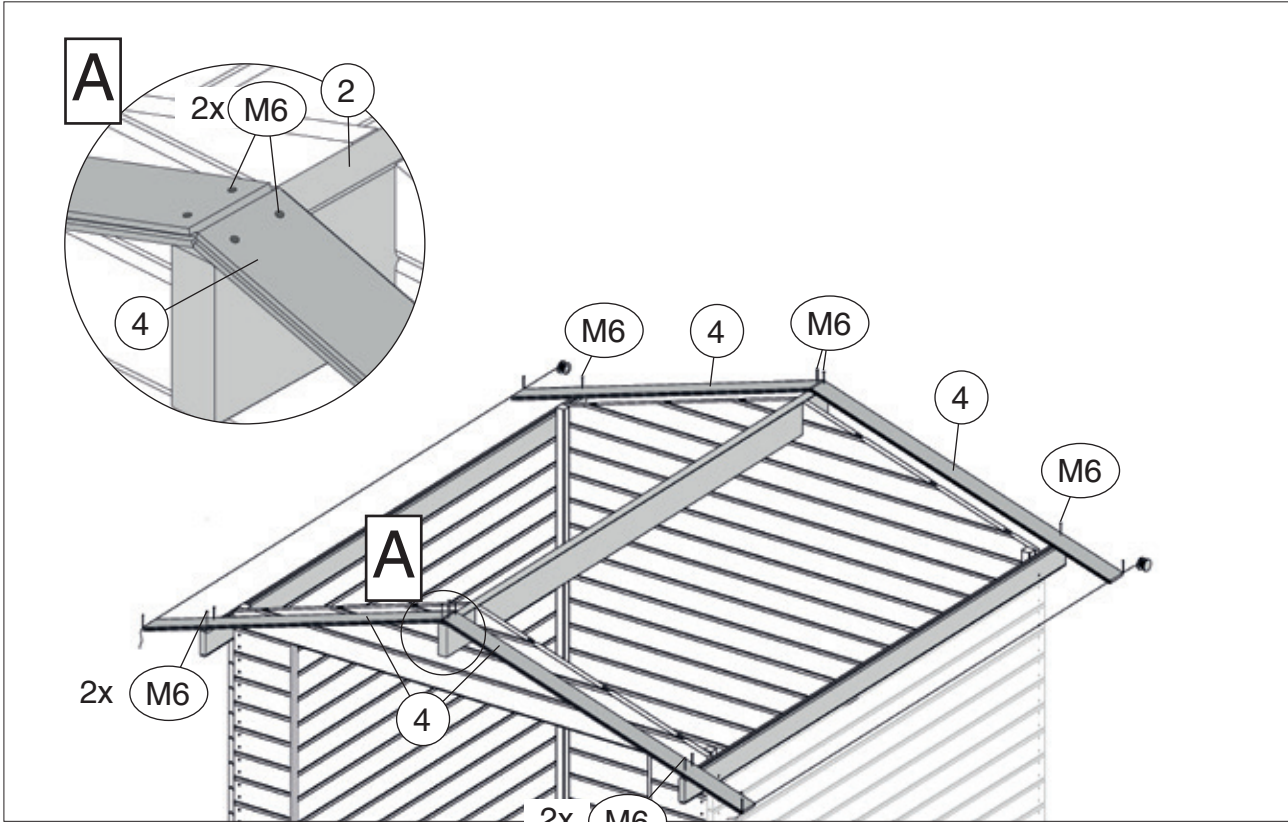


B=B

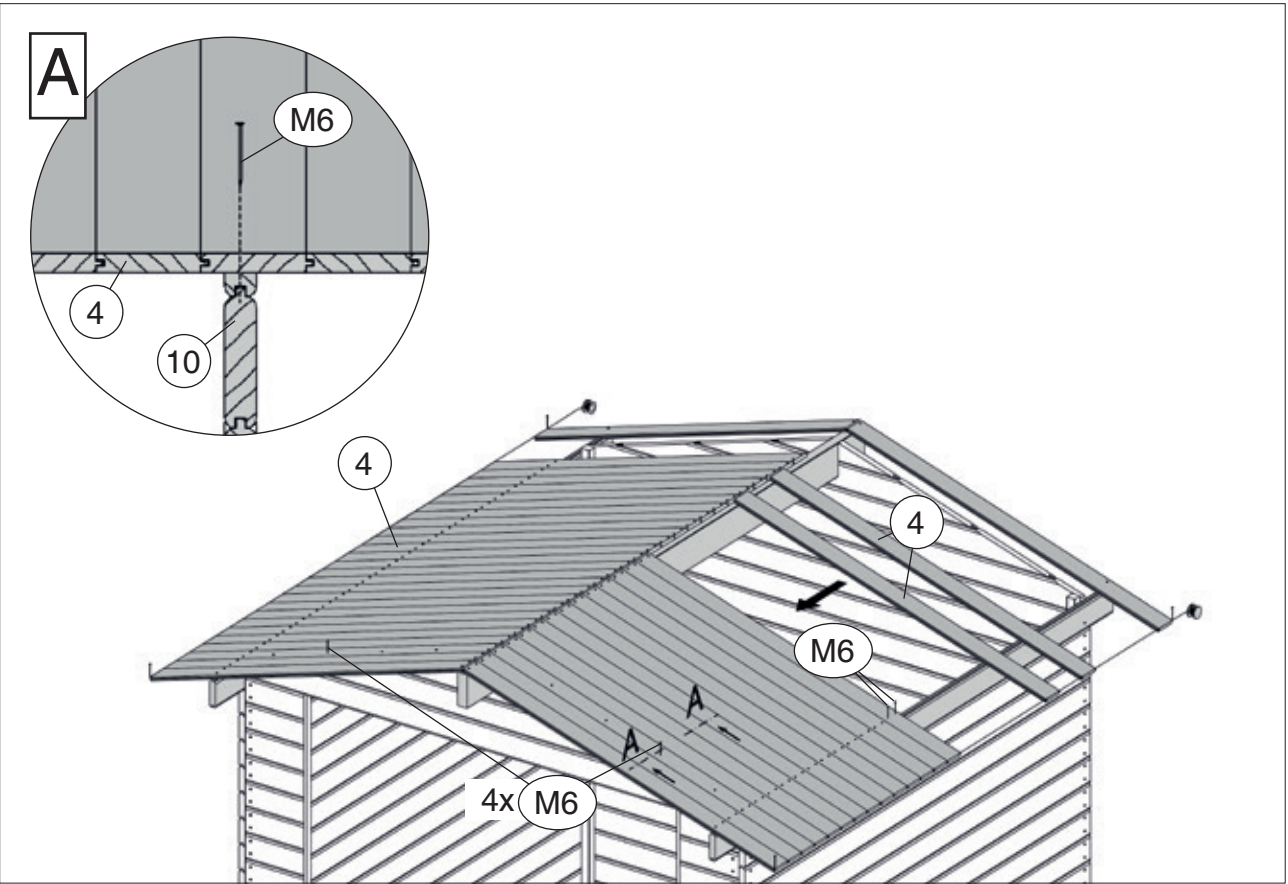


9

|   |             |
|---|-------------|
|  | M6 2,2 x 55 |
|   |             |

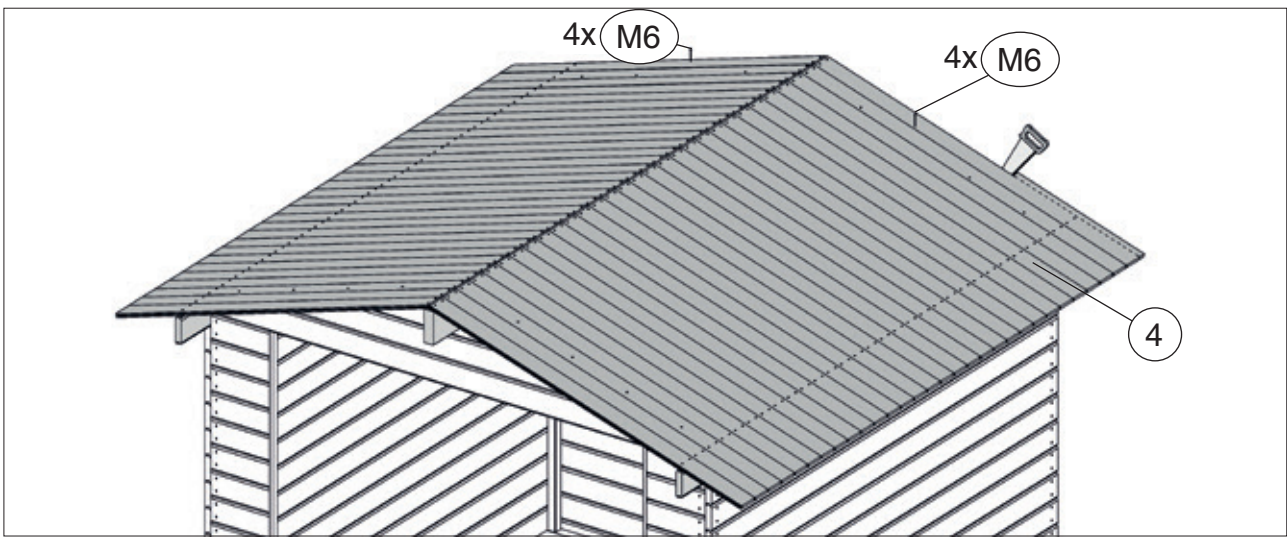


10

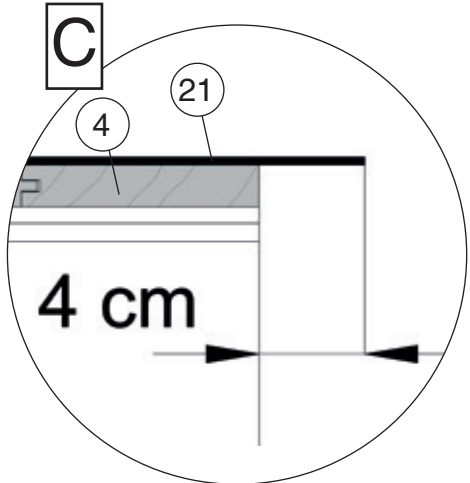
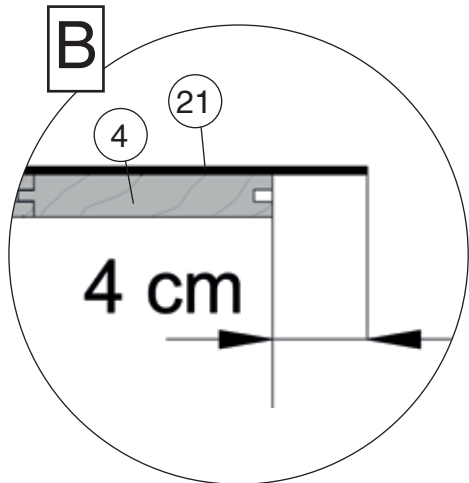
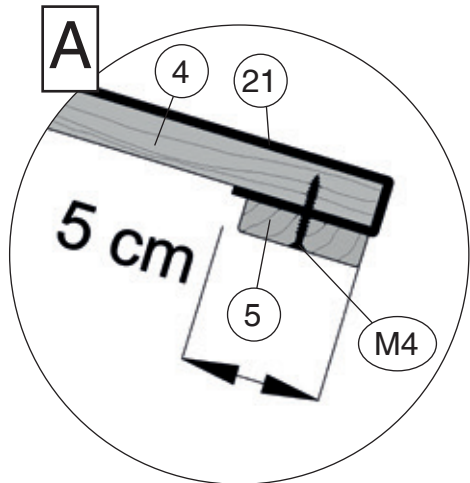
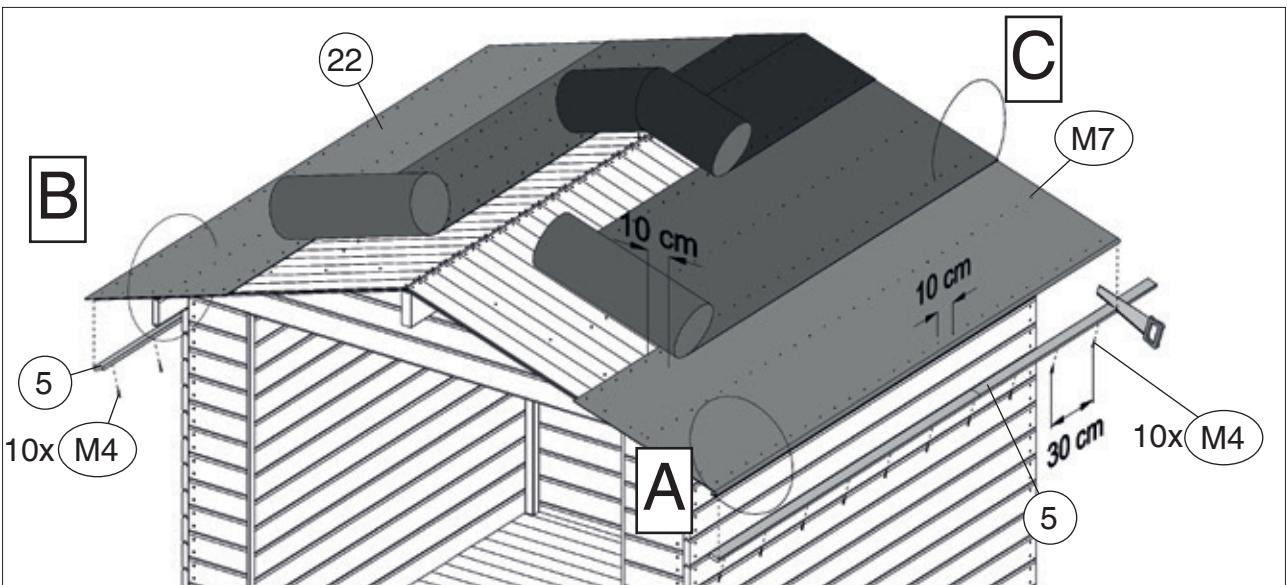
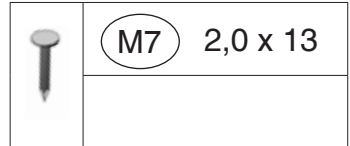
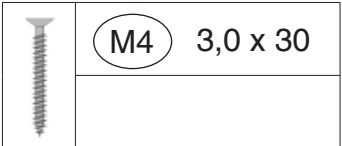
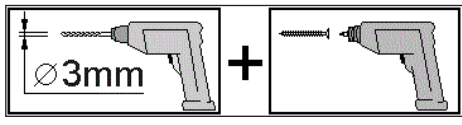





11

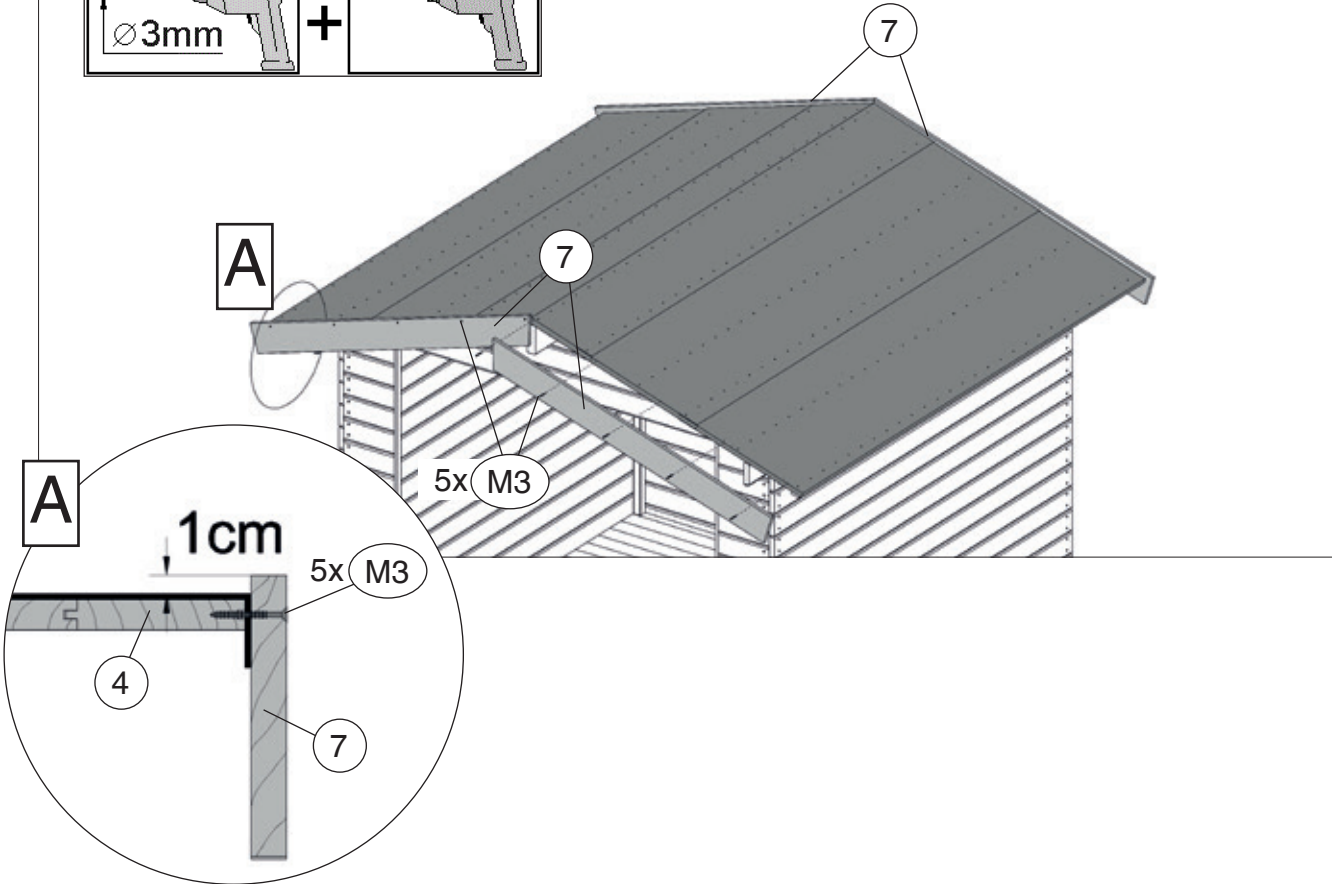
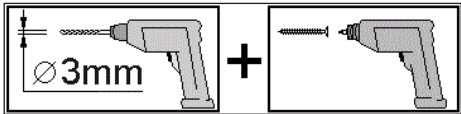


12

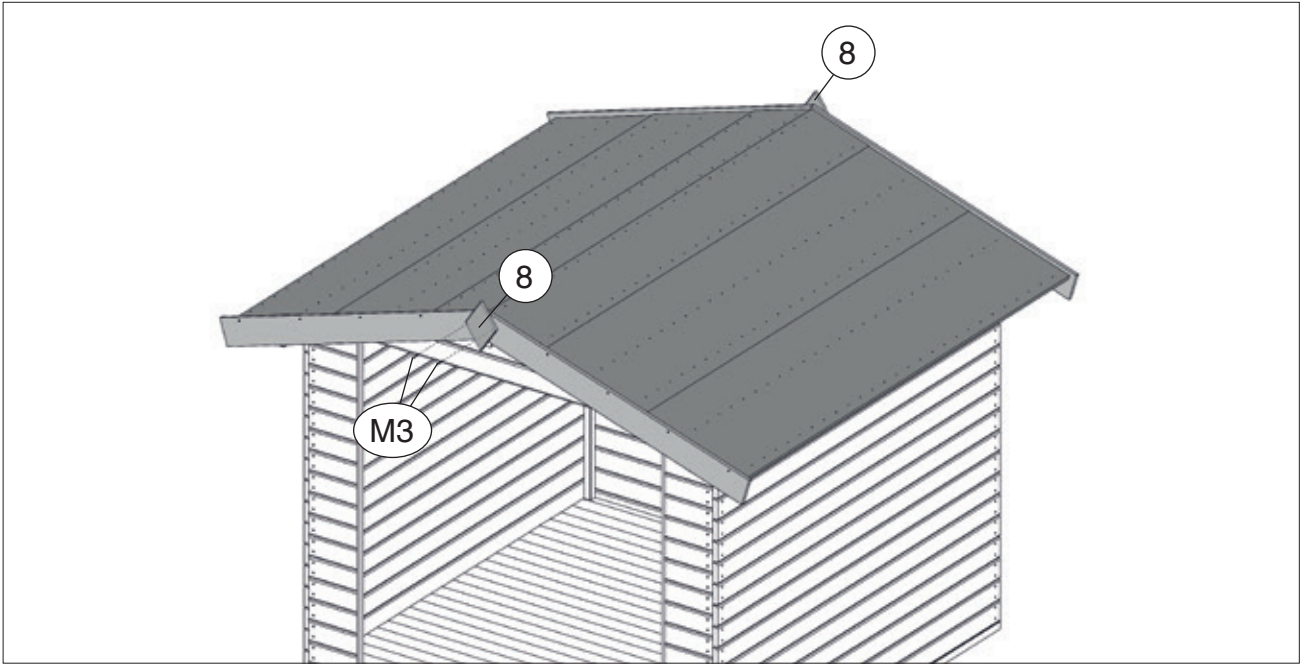


13

|  |             |
|--|-------------|
|  | M3 4,0 x 40 |
|--|-------------|

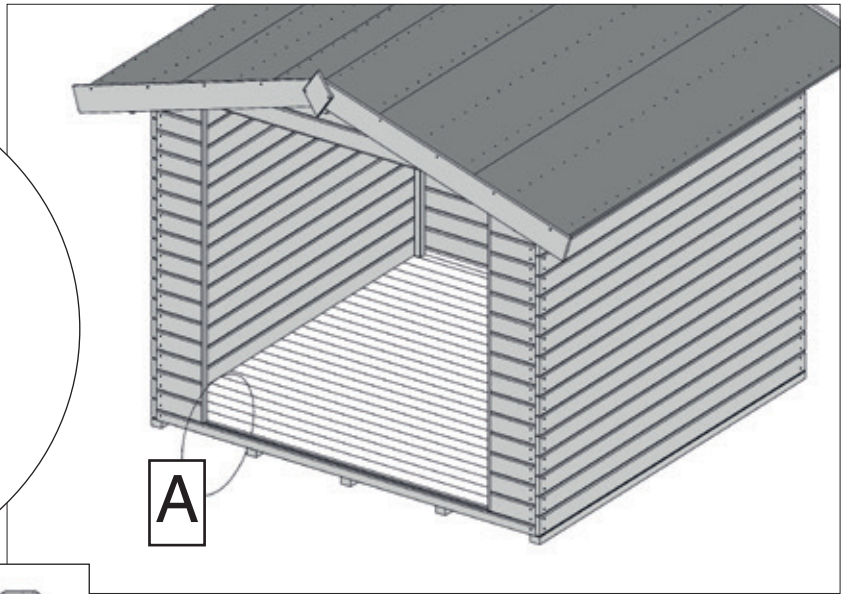
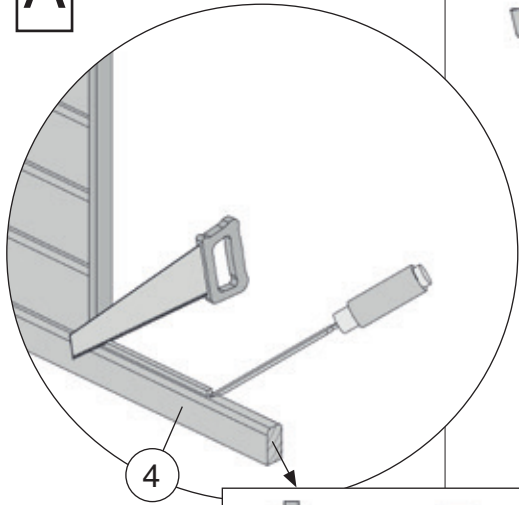


14

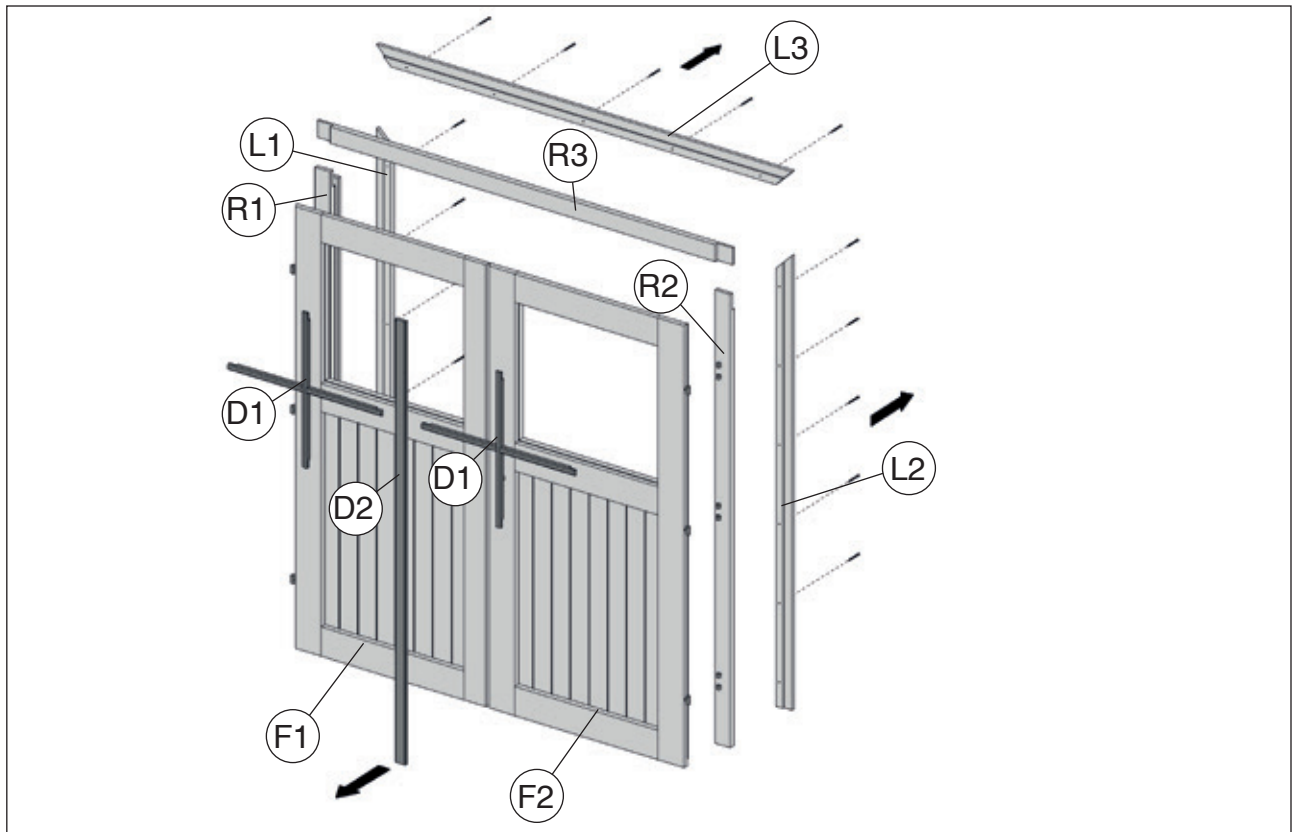


15

A

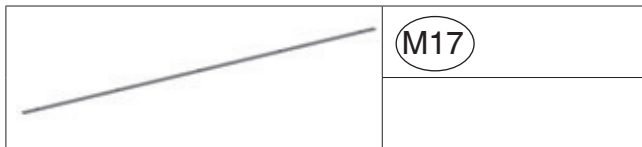



16

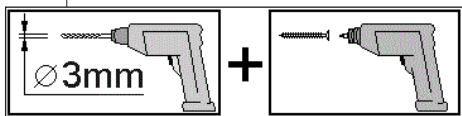




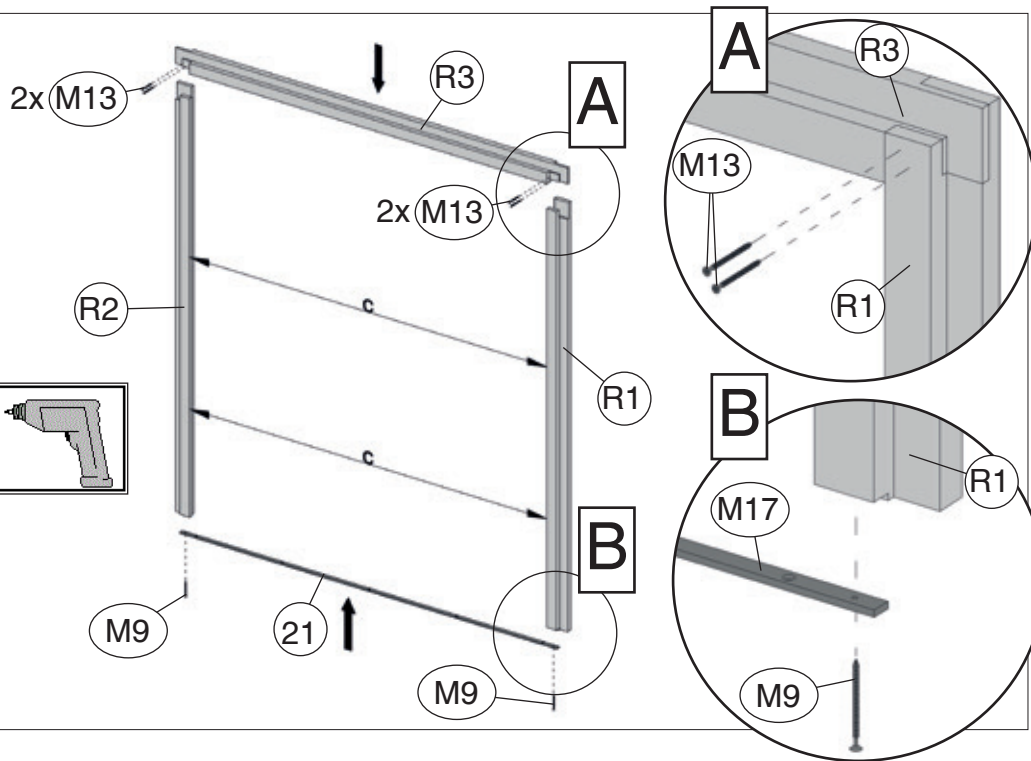
17



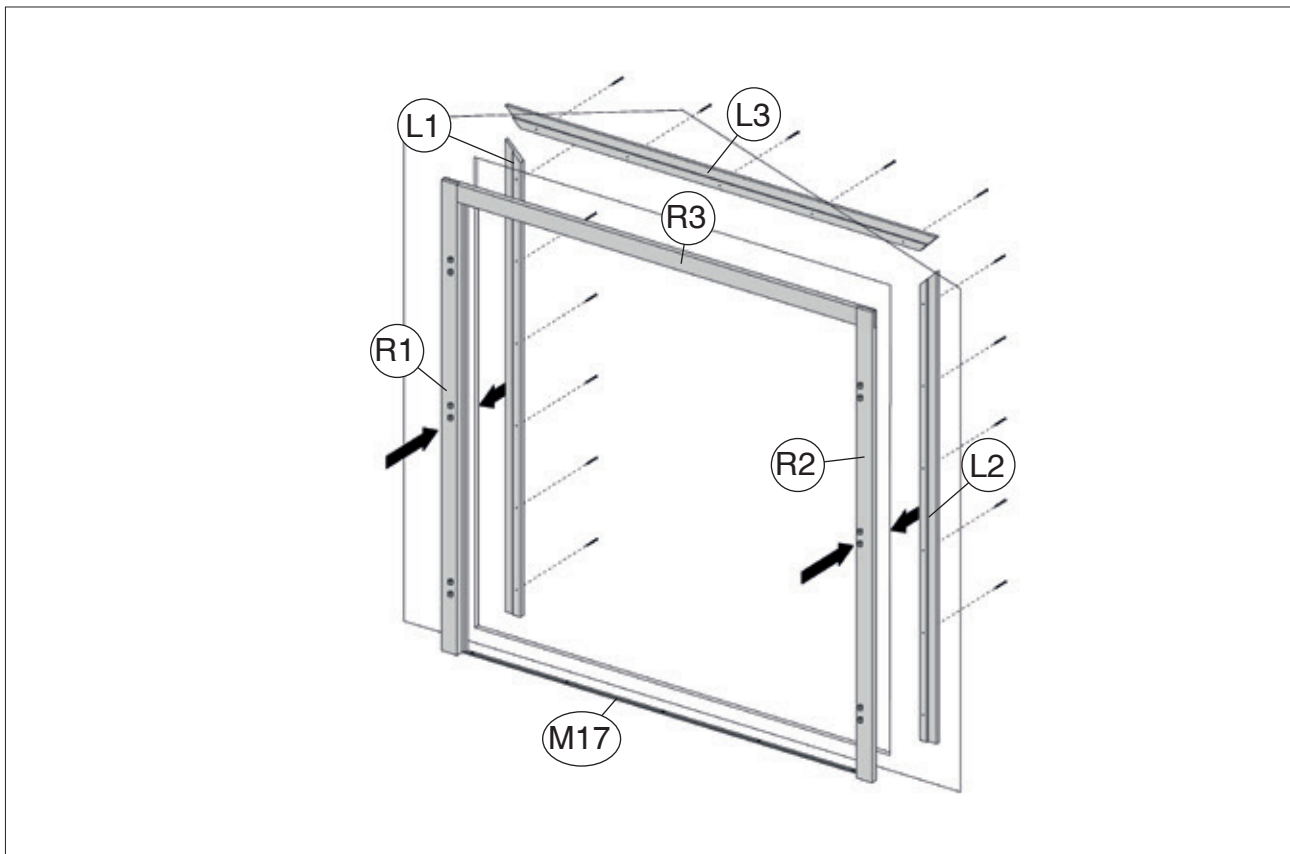
|   |              |
|---|--------------|
|  | M9 4,0 x 60  |
|   | M13 4,0 x 40 |



C=C

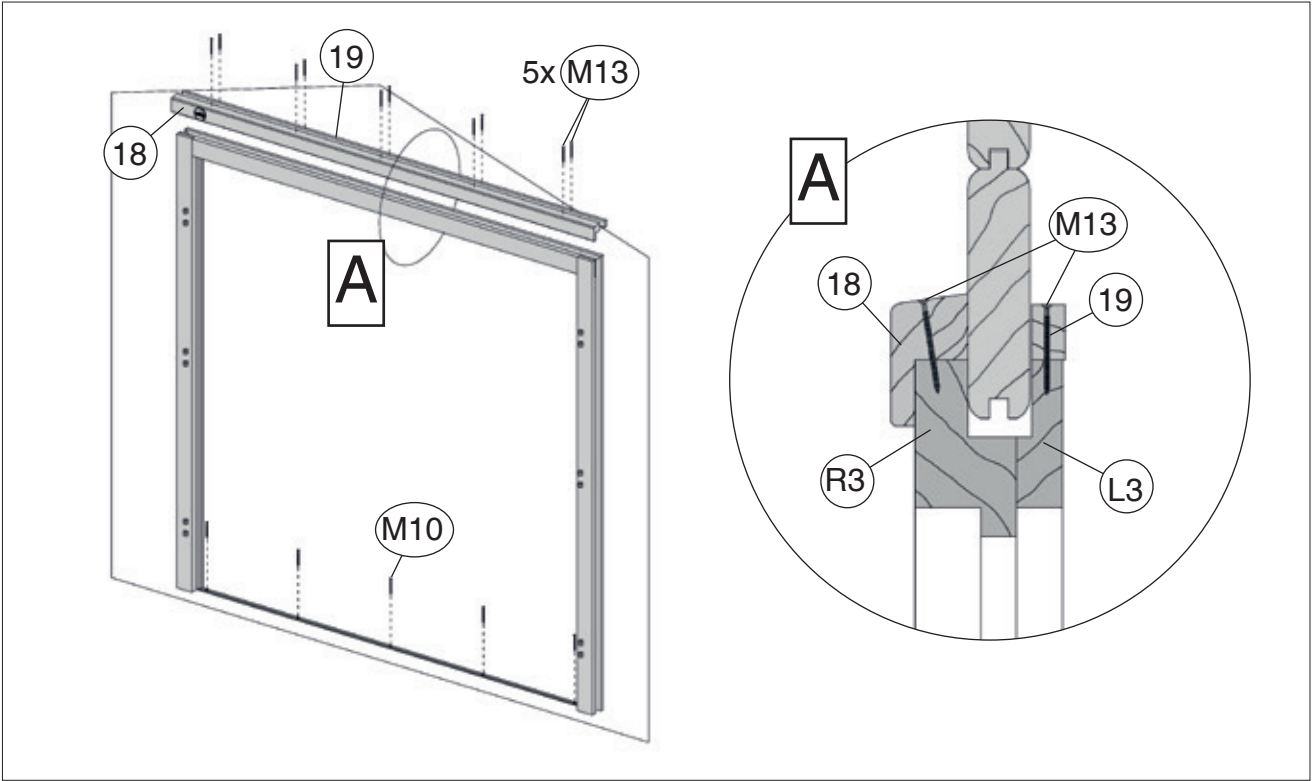


18

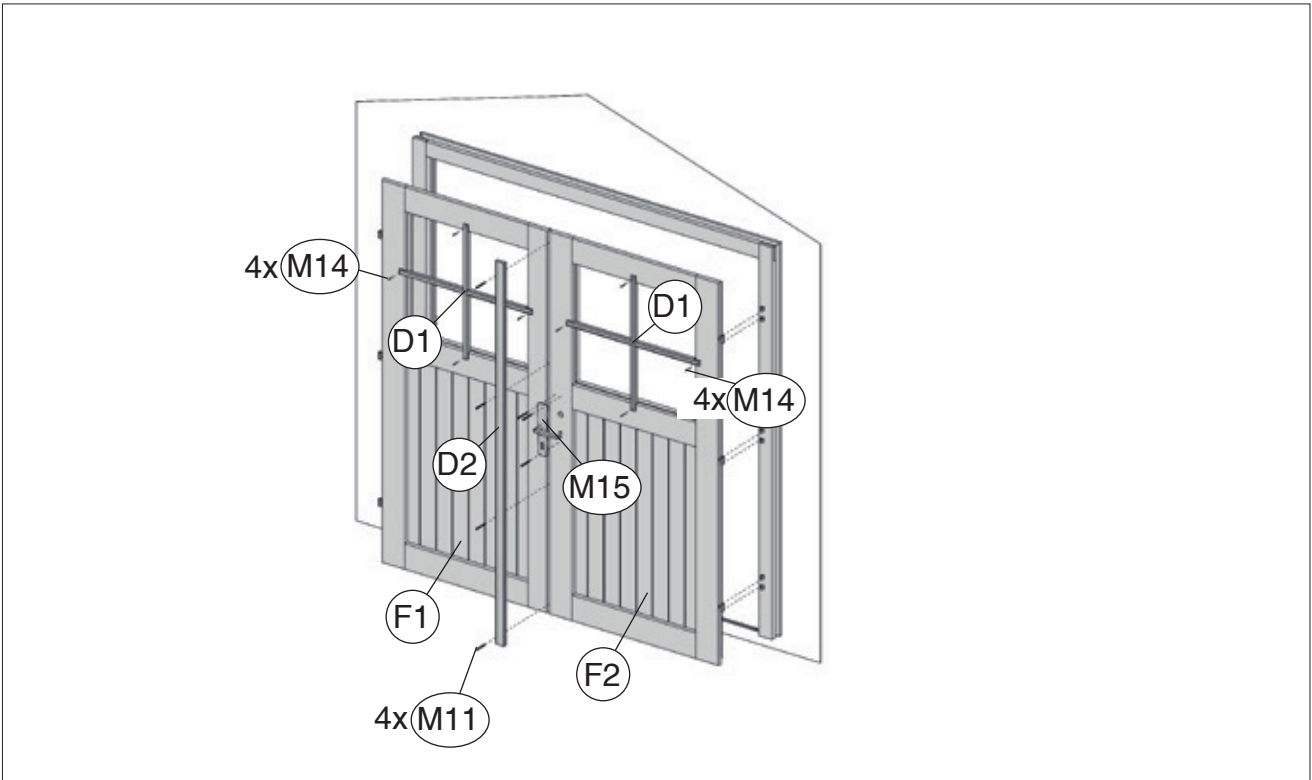
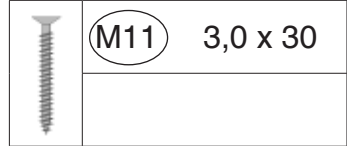


**19**

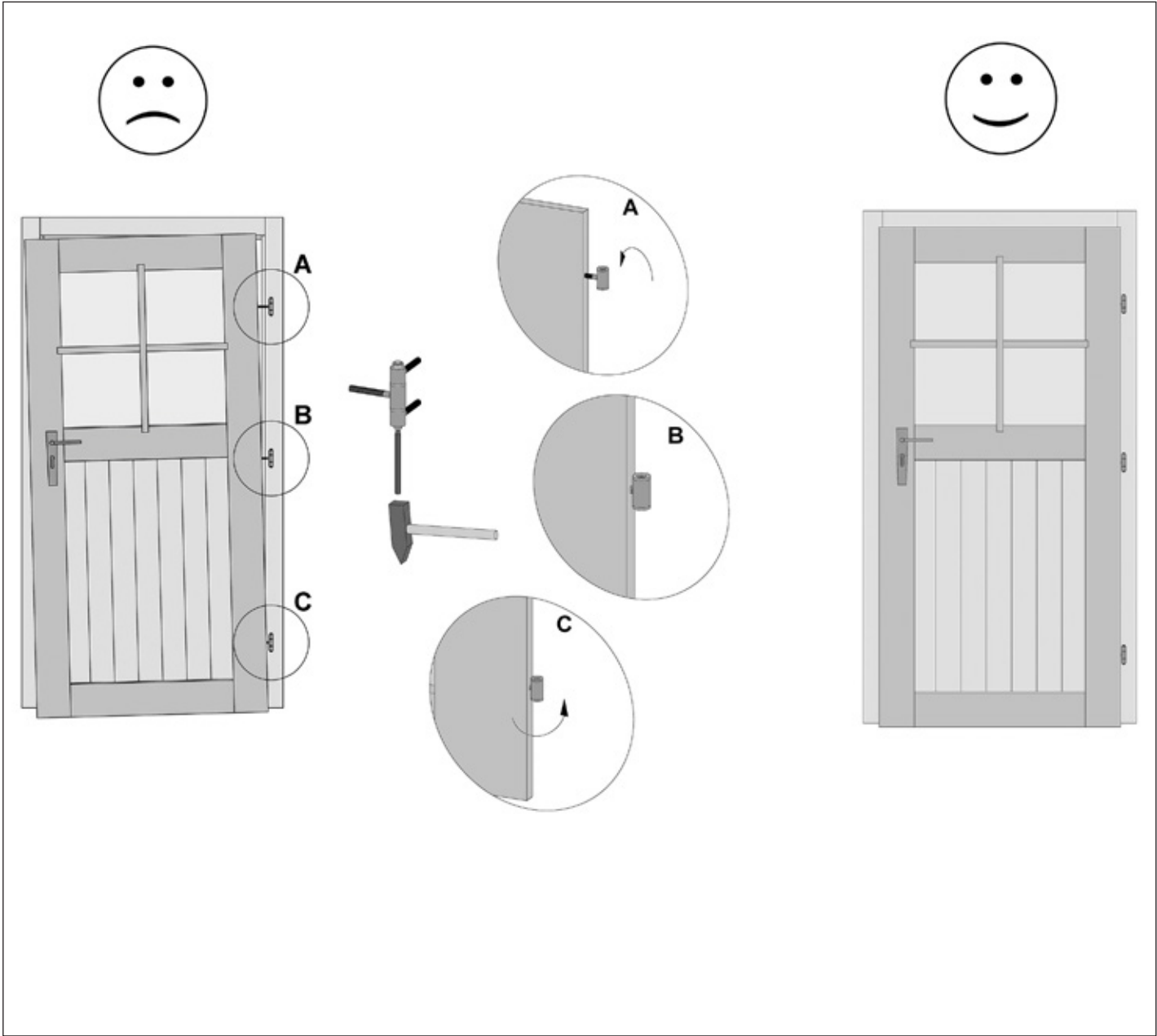
|   |                     |
|---|---------------------|
|  | <b>M10</b> 3,5 x 35 |
|  | <b>M13</b> 4,0 x 40 |



**20.1**

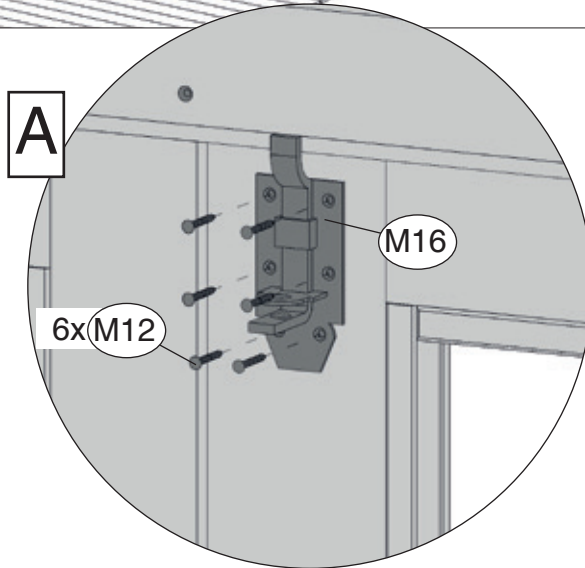
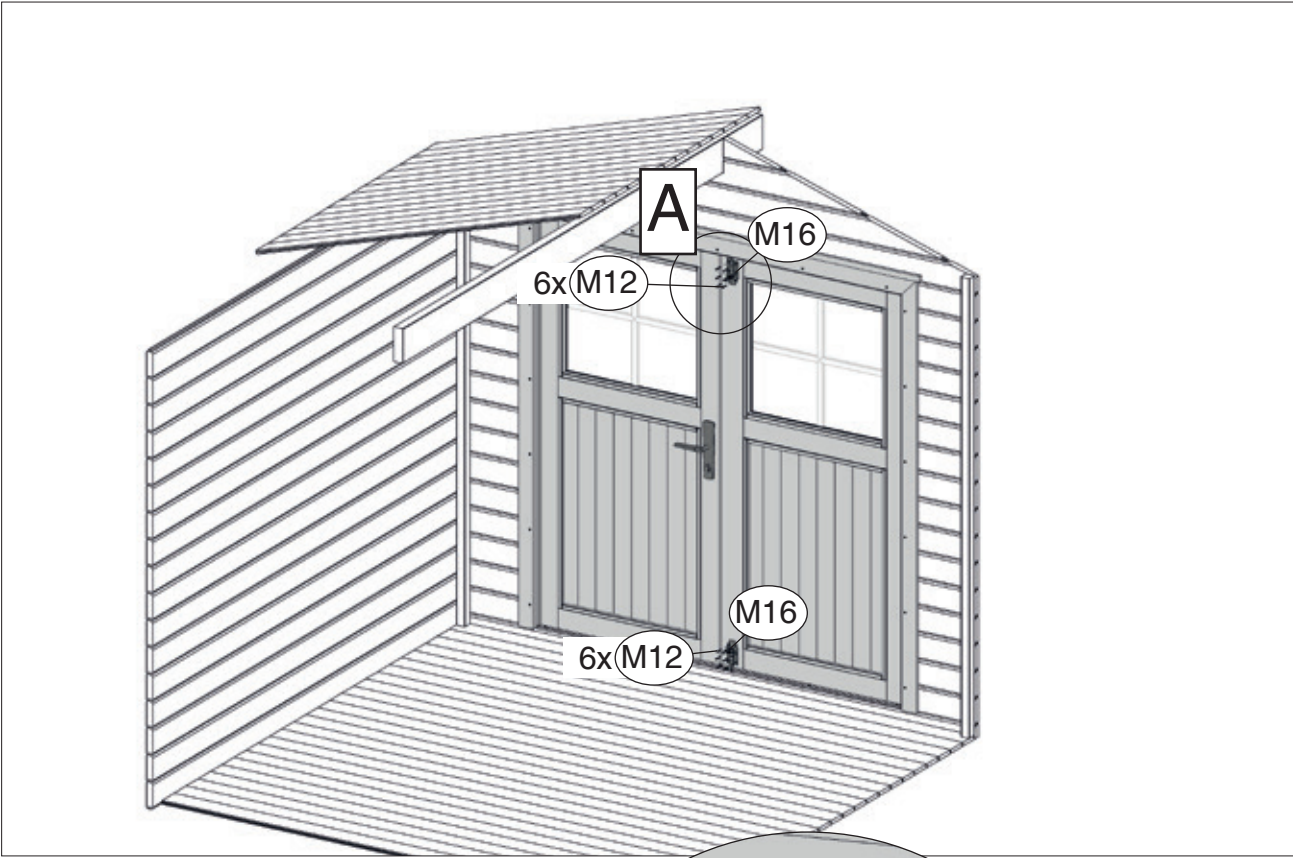


20.2



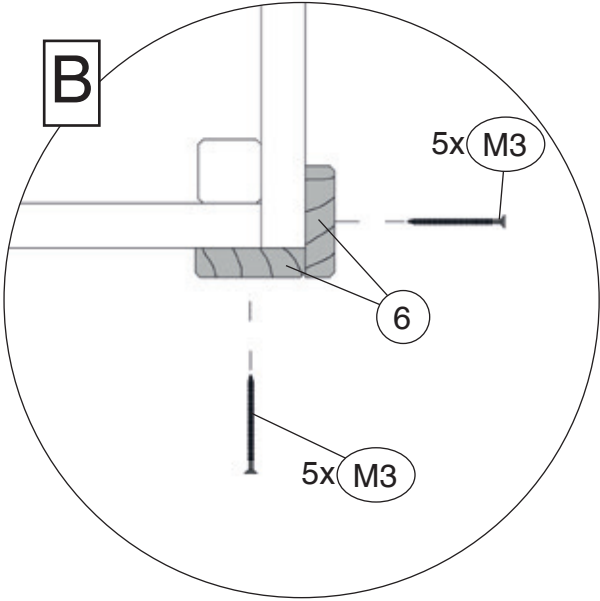
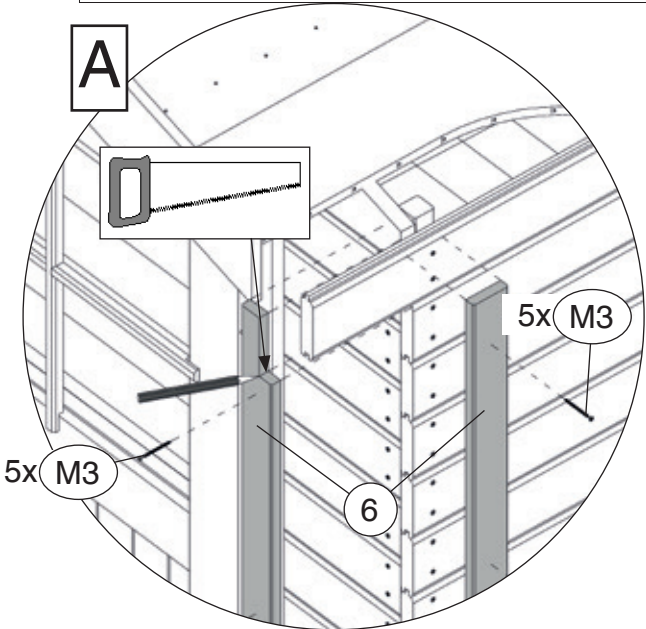
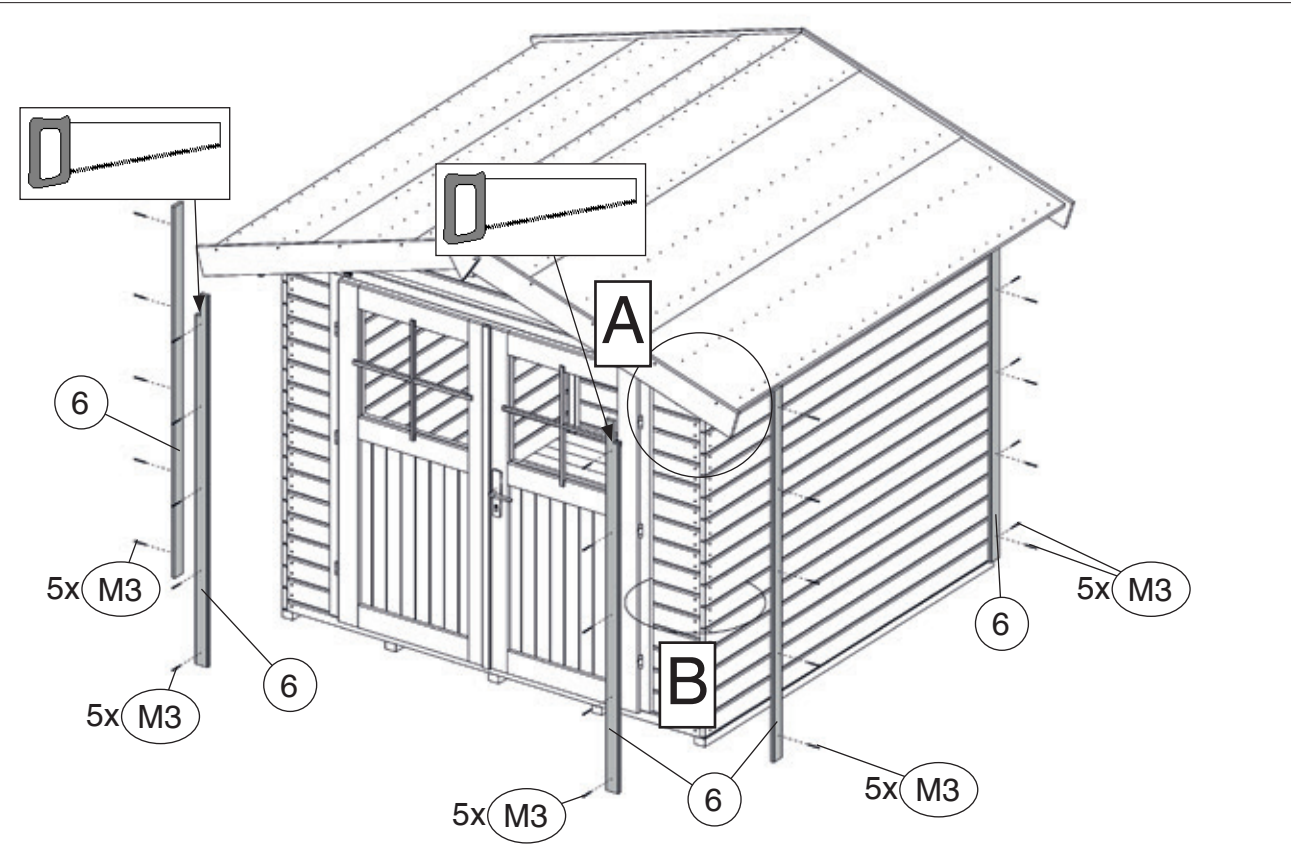
21

|   |     |   |              |
|---|-----|---|--------------|
|  | M16 |  | M12 3,5 x 16 |
|   |     |   |              |



22

|   |    |          |
|---|----|----------|
|  | M3 | 4,0 x 40 |
|   |    |          |











# Kennen Sie schon die WEKA- Wellnesswelt?



Jetzt  
scannen  
und unsere  
**Saunen &  
Infrarotkabinen**  
entdecken!



[www.weka-holzbau.com](http://www.weka-holzbau.com)

**weka**

## **WEKA Holzbau GmbH**

Johannesstr. 16, 17034 Neubrandenburg

Tel.: +49 (0)395 42908-0

Fax: +49 (0)395 42908-83

Mail: [info@weka-holzbau.com](mailto:info@weka-holzbau.com)

Web: [www.weka-holzbau.com](http://www.weka-holzbau.com)

MA Art.-Nr.: 800.0286.17.77

© Copyright HRB 3662