



www.weka-holzbau.com



Gartenhaus



225.2130.10001 / 80001
225.2430.10001 / 80001
225.3030.10001 / 80001

Montage-, Bedienungs- und Wartungsanleitung



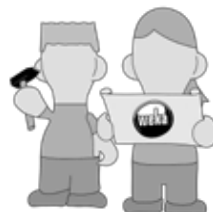
800.0286.17.67

+





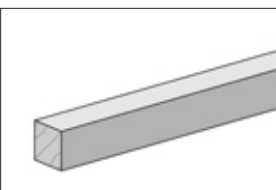

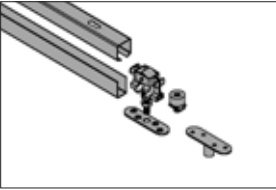
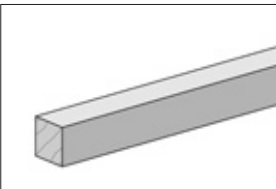
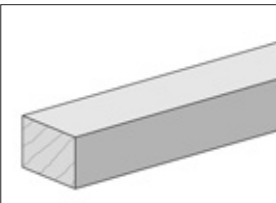
800.0286.20.02

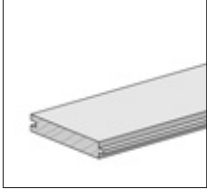
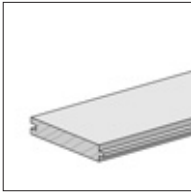
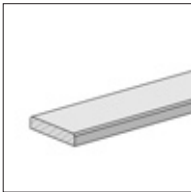
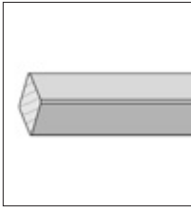
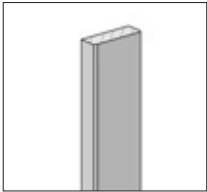
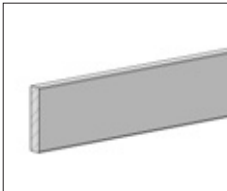
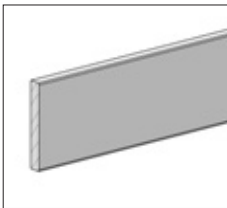
=

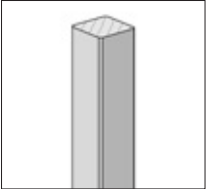
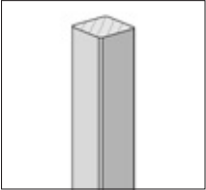
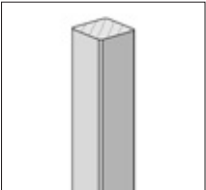
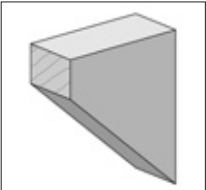
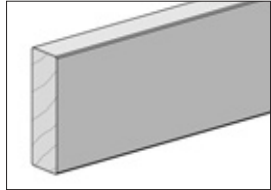











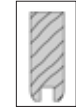
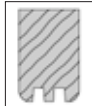
Jetzt
scannen
und noch
mehr entdecken!














| Pos | Bild | Abmessung (mm) | Anzahl (Stück) | | | | | | |
|-----|--|--|-----------------|----------------|----------------|----------------|----------------|----------------|-------------|
| | | | 225.2130.10001 | 225.2130.80001 | 225.2430.10001 | 225.2430.80001 | 225.3030.10001 | 225.3030.80001 | |
| - | - | - | - | - | - | - | - | - | - |
| 2 | R002.0650.2050 R002.0650.2350 R002.0650.2950  | 40/60/2050 40/60/2350 40/60/2950 | 2 - - | 2 - - | - 2 - | - 2 - | - - 2 | - - 2 | - - 2 |
| 2.1 | R002.0650.2872 R002.0650.2896  | 40/60/2872 40/60/2896 | 2 - | - 2 | 2 - | - 2 | - 2 | - 2 | - 2 |
| 3 | R002.0660.1928 R002.0660.1928 R002.0660.2230 R002.0660.2830  | 40/40/1928 40/40/2230 40/40/2830 | 5 - - | 5 - - | - 5 - | - 5 - | - - 5 | - - 5 | - - 5 |
| 4 | B100.15.0004  | 38/750/1800 | 2 | 2 | 2 | 2 | 2 | 2 | 2 |
| 5 | K135.1001.1000  | 0/0/1420 | 1 | 1 | 1 | 1 | 1 | 1 | 1 |
| 6 | R002.0660.2950  | 40/40/2950 | 1 | 1 | 1 | 1 | 1 | 1 | 1 |
| 7 | G651.01.0028  | 40/60/2860 | 1 | 1 | 1 | 1 | 1 | 1 | 1 |

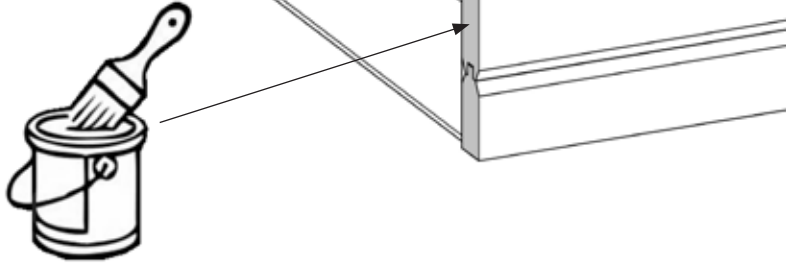
| Pos | Bild | Abmessung (mm) | Anzahl (Stück) | | | | | |
|-----|---|--------------------------------|-----------------|----------------|----------------|----------------|----------------|----------------|
| | | | 225.2130.10001 | 225.2130.80001 | 225.2430.10001 | 225.2430.80001 | 225.3030.10001 | 225.3030.80001 |
| 8 | R002.0091.3344  | 15,5/96/3344 | 26 | 26 | 29 | 29 | 36 | 36 |
| 9 | R002.0091.2950  | 15,5/96/2950 | 23 | 23 | 26 | 26 | 33 | 33 |
| 10 | R002.0400.2300  | 11/58/2300 | 13 | 7 | 14 | 8 | 14 | 8 |
| 11 | G100.01.0063 G100.01.0064  | 21/28/1510 38/28/1510 | 1 - | - 1 | 1 - | - 1 | 1 - | - 1 |
| 12 | R002.0530.2300 R002.0530.1825  | 15/45/2300 15/45/1825 | 7 4 | 7 2 | 7 5 | 7 3 | 8 5 | 8 3 |
| 13 | R002.0425.1810  | 18,5/70/1810 18,5/70/2153 | 3 - | 3 - | 3 - | 3 8 | 3 - | 3 8 |
| 14 | R002.0560.3400  | 18,5/146/3400 18,5/146/2840 | 3 - | 3 - | 3 1 | 3 1 | 4 - | 4 - |

| Pos | Bild | Abmessung (mm) | Anzahl (Stück) | | | | | |
|-----|--|--|----------------------------|----------------------------|----------------------------|----------------------------|----------------------------|----------------------------|
| | | | 225.2130.10001 | 225.2130.80001 | 225.2430.10001 | 225.2430.80001 | 225.3030.10001 | 225.3030.80001 |
| 15 | R002.0196.2462  | 34/34/2462 | 3 | - | 3 | - | 3 | - |
| 16 | R002.0196.2100  | 34/34/2100 | 2 | - | 2 | - | 2 | - |
| 17 | R002.0225.2290  | 40/40/2290 | - | 6 | - | 6 | - | 6 |
| 18 | G330.06.0007  | 45/100/120 | 10 | 10 | 10 | 10 | 10 | 10 |
| 19 | R002.0350.1974 R002.0350.2008 R002.0350.2308 R002.0350.2908  | 45/146/1974 45/146/2008 45/146/2274 45/146/2308 45/146/2874 45/146/2908 | - 3 - - - - | 3 - - - - - | - - 3 3 - - | - - - - - 3 | - - - - - 3 | - - - - 3 - |
| 20 | R002.0015.0720  R002.0040.0720  | 21/121/720 38/121/720 | 32 - | - 32 | 32 - | - 32 | 32 - | - 32 |
| 21 | G227.01.0406 G132.01.0019  | 21/121/2950 38/121/2950 | 2 - | - 2 | 2 - | - 2 | 2 - | - 2 |

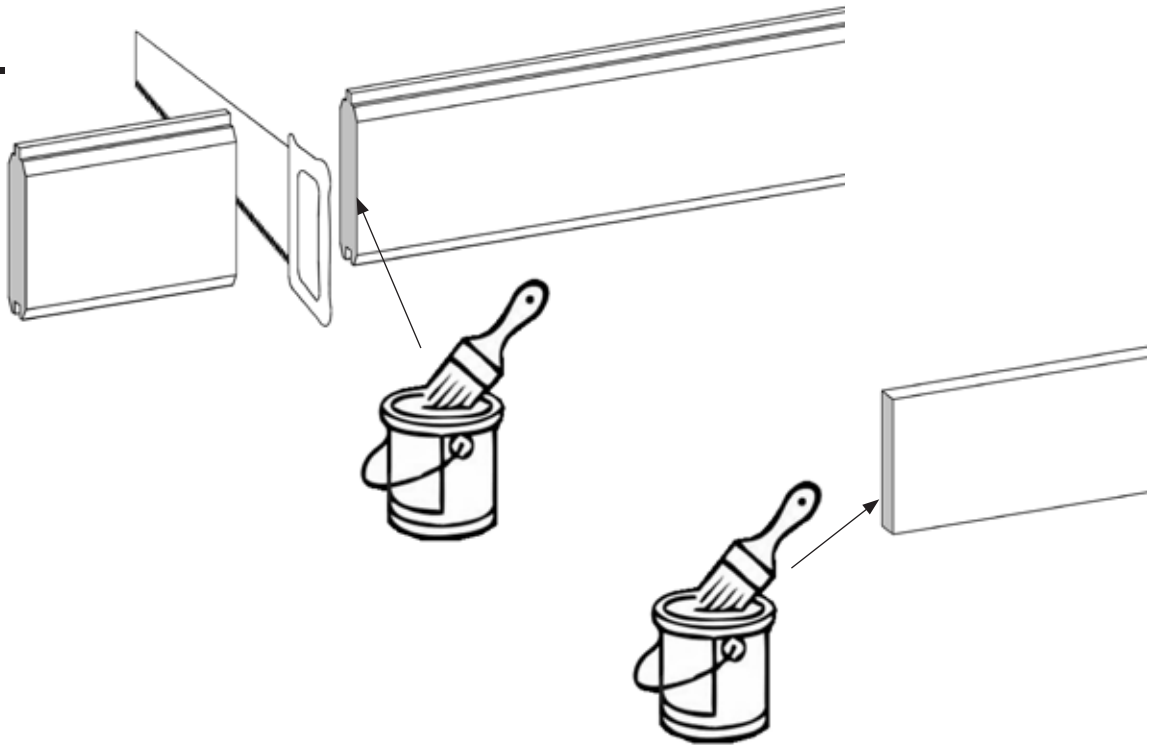
| Pos | Bild | Abmessung (mm) | Anzahl (Stück) | | | | | |
|-----|--|---------------------|-----------------|----------------|----------------|----------------|----------------|----------------|
| | | | 225.2130.10001 | 225.2130.80001 | 225.2430.10001 | 225.2430.80001 | 225.3030.10001 | 225.3030.80001 |
| 22 |  G227.01.0001 G227.01.0002 G227.01.0003 | 21/58/2050 | 1 | - | - | - | - | - |
| | | 21/58/2350 | - | - | 1 | - | - | - |
| | | 21/58/2950 | - | - | - | - | 1 | - |
| |  G132.01.0020 G132.01.0021 G132.01.0022 | 38/58/2050 | - | 1 | - | - | - | - |
| | | 38/58/2350 | - | - | - | 1 | - | - |
| | | 38/58/2950 | - | - | - | - | - | 1 |
| | | | | | | | | |
| 23 |  R002.0015.2050 R002.0015.2350 | 21/121/2050 | 37 | - | - | - | - | |
| | | 21/121/2350 | - | - | 37 | - | - | |
| |  R002.0040.2050 R002.0040.2350 | 38/121/2050 | - | 37 | - | - | - | |
| | | 38/121/2350 | - | - | - | 37 | - | |
| 24 |  R002.0015.2950 | 21/121/2950 | 20 | - | 20 | - | 57 | |
| |  R002.0040.2950 | 38/121/2950 | - | 20 | - | 20 | 57 | |
| 25 |   G105.01.0006 G525.01.0014 | 28/60/300 | 4 | - | 4 | - | 4 | |
| | | 38/60/300 | - | 4 | - | 4 | - | 4 |

| 225.xxxx.10001 - M228.001 225.xxxx.80001 - M225.001 | | Abmessung (mm) | Anzahl (Stück) | | | | | |
|--|---|---------------------|-----------------|----------------|----------------|----------------|----------------|----------------|
| Pos | Bild | | 225.2130.10001 | 225.2130.80001 | 225.2430.10001 | 225.2430.80001 | 225.3030.10001 | 225.3030.80001 |
| M1 | K001.8050.0004  | 5,0 x 80 | 10 | 30 | 10 | 30 | 10 | 30 |
| M2 | K001.6040.0004  | 4,0 x 60 | 55 | 380 | 55 | 230 | 55 | 230 |
| M3 | K001.4040.0004  | 4,0 x 40 | 560 | 230 | 560 | 380 | 560 | 380 |
| M4 | K001.3535.0004  | 3,5 x 35 | 150 | 150 | 150 | 150 | 150 | 150 |
| M5 | K001.3035.0004  | 3,5 x 30 | 100 | 100 | 100 | 100 | 100 | 100 |
| M6 | K001.2535.0004  | 3,5 x 25 | 55 | 55 | 55 | 55 | 55 | 55 |
| M7 | K010.5022.0001  | 2,2 x 55 | 730 | 730 | 730 | 730 | 730 | 730 |
| M8 | K010.3016.0001  | 1,6 x 30 | 10 | 10 | 10 | 10 | 10 | 10 |
| - | - | - | - | - | - | - | - | - |
| M10 | K065.9000.0001  | 0/40/40 | 1 | 1 | 1 | 1 | 1 | 1 |
| M11 | K100.1010.0001  | Ø 65 | 1 | 1 | 1 | 1 | 1 | 1 |
| M12 | K002.9522.0001  | 2,2 x 9,5 | 2 | - | 2 | - | 2 | - |
| | K002.1625.0001 | 2,5 x 16 | - | 2 | - | 2 | - | 2 |

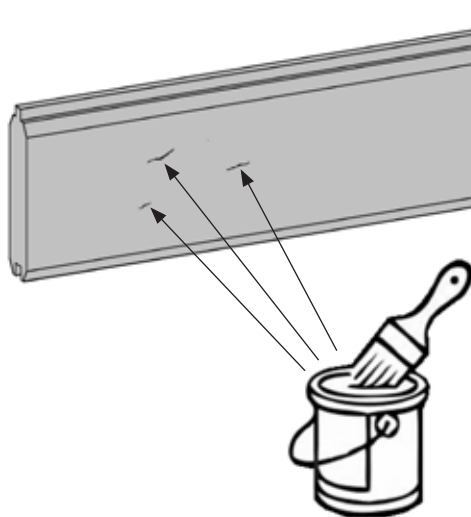
1.

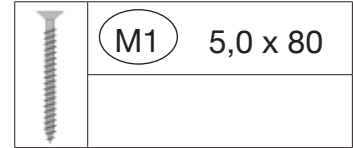
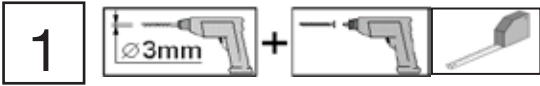


2.

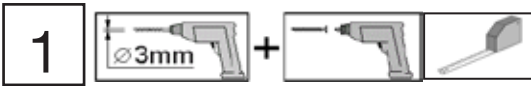
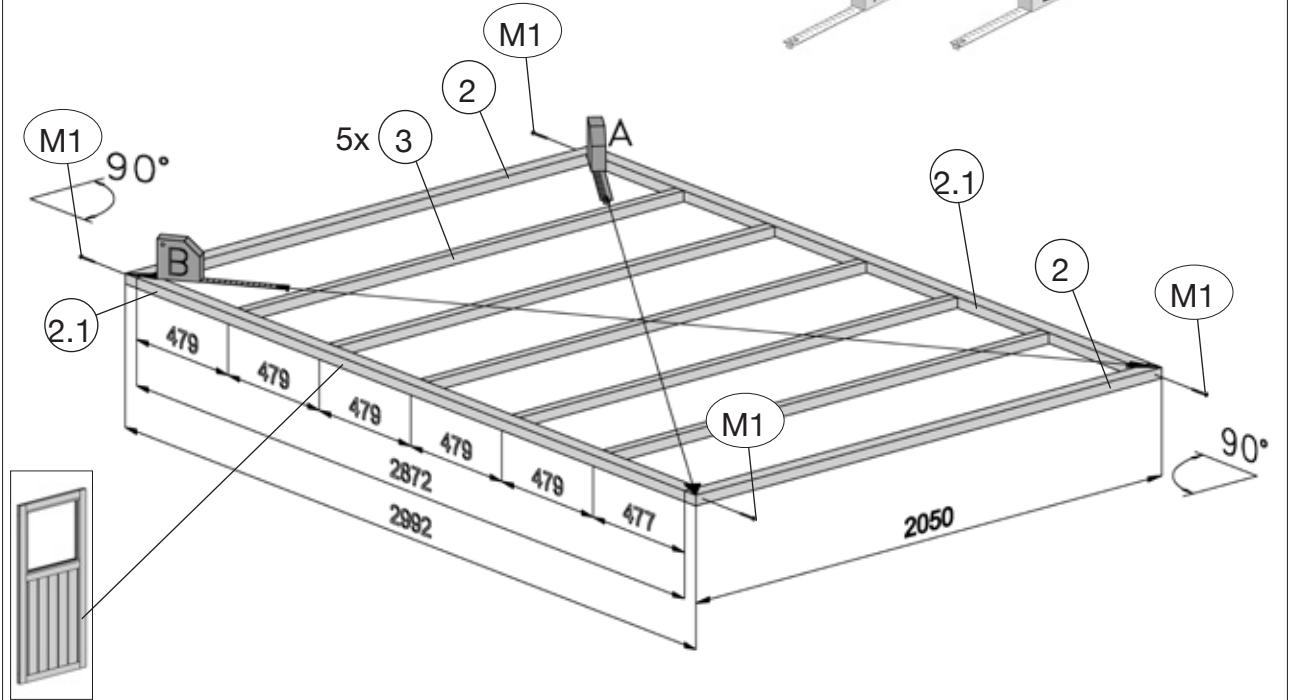


3.

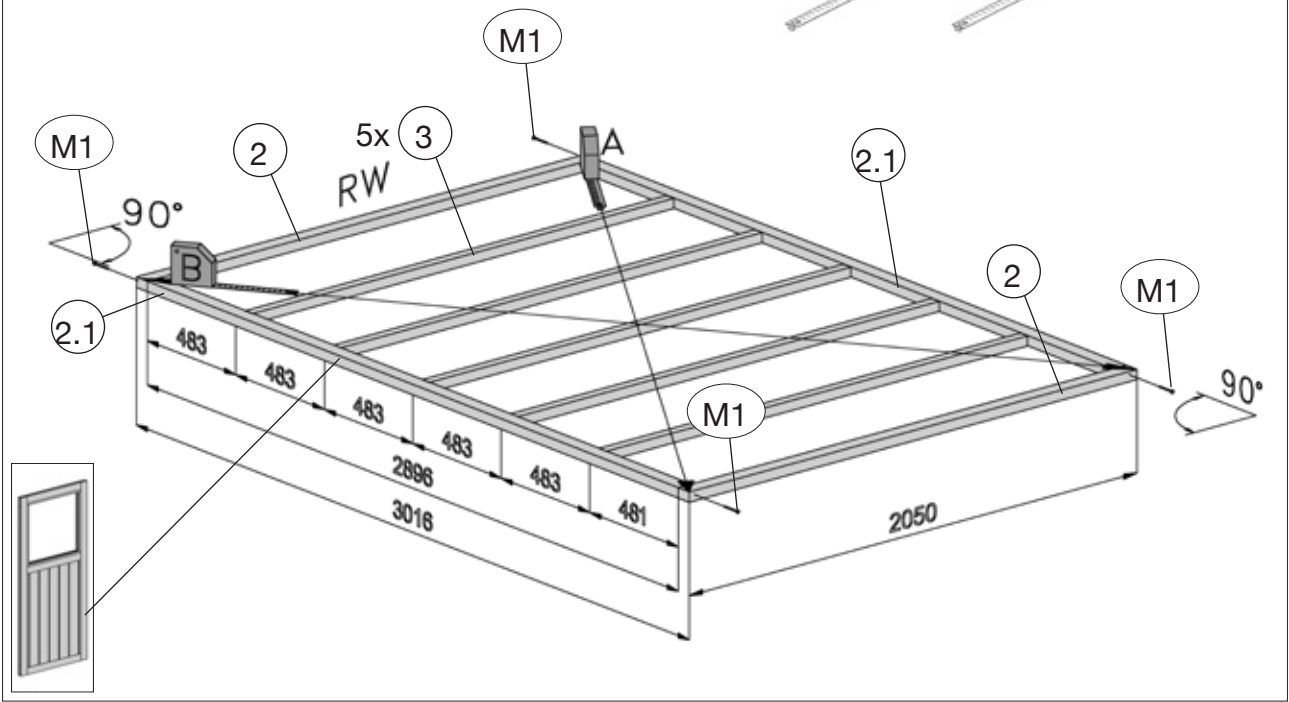
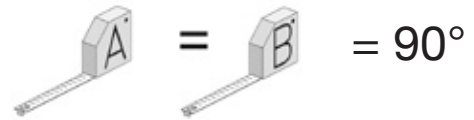




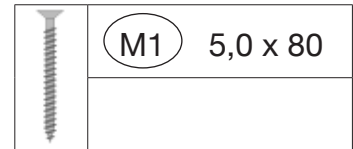
Art.-Nr.: 225.2130.10001



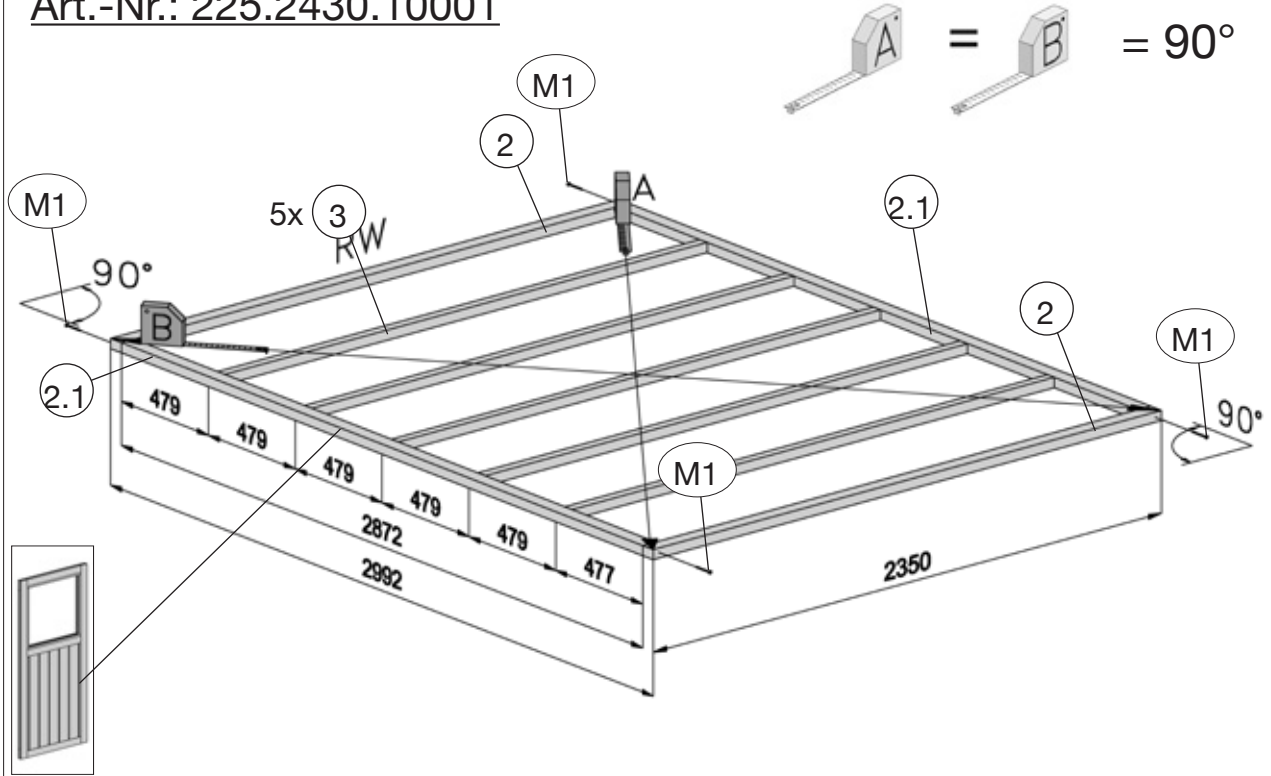
Art.-Nr.: 225.2130.80001



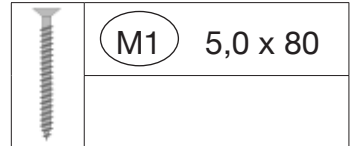
1



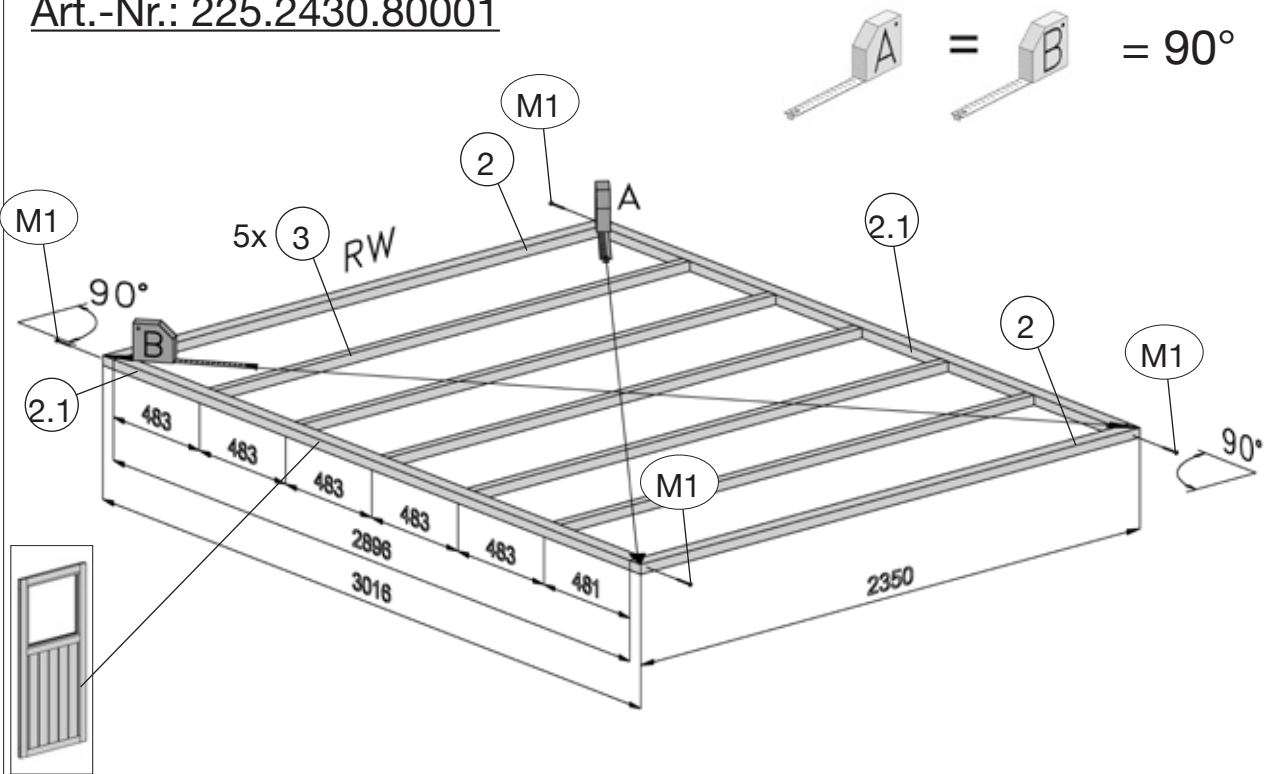
Art.-Nr.: 225.2430.10001

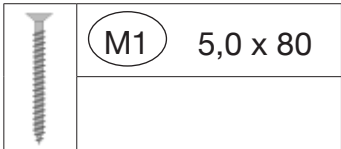
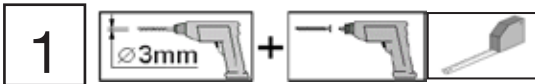


1

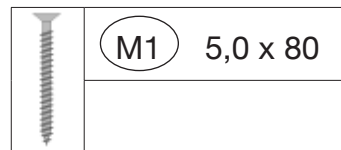
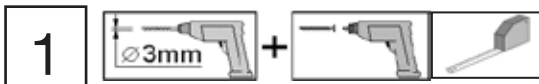
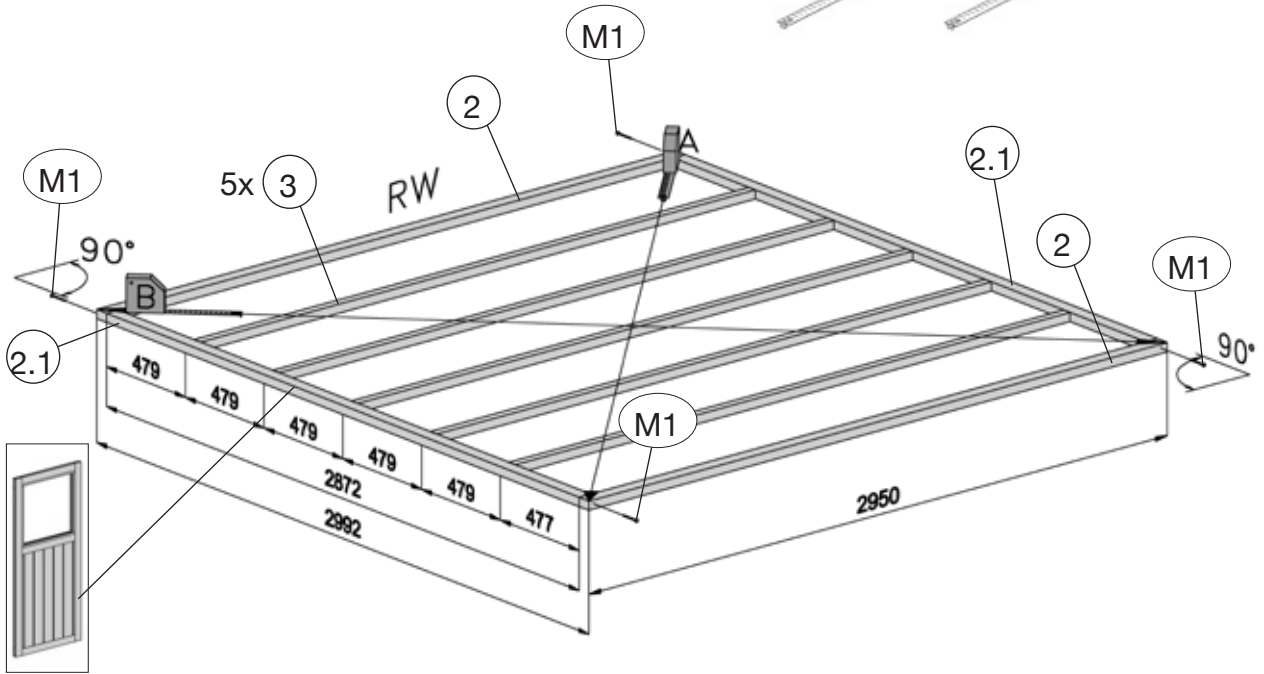
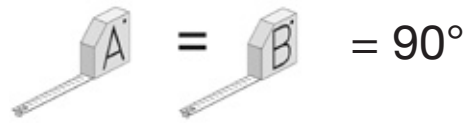


Art.-Nr.: 225.2430.80001

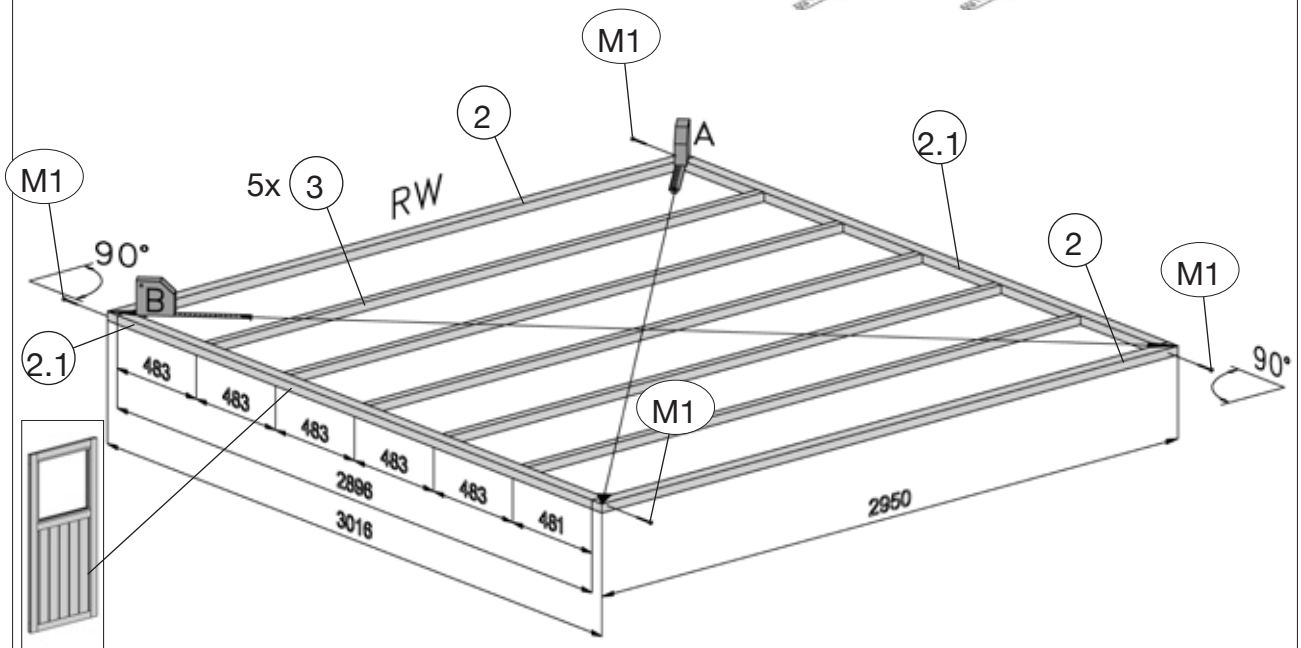
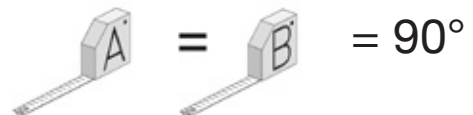




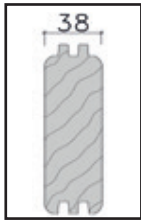
Art.-Nr.: 225.3030.10001



Art.-Nr.: 225.3030.80001



2



225.XXXX.80001

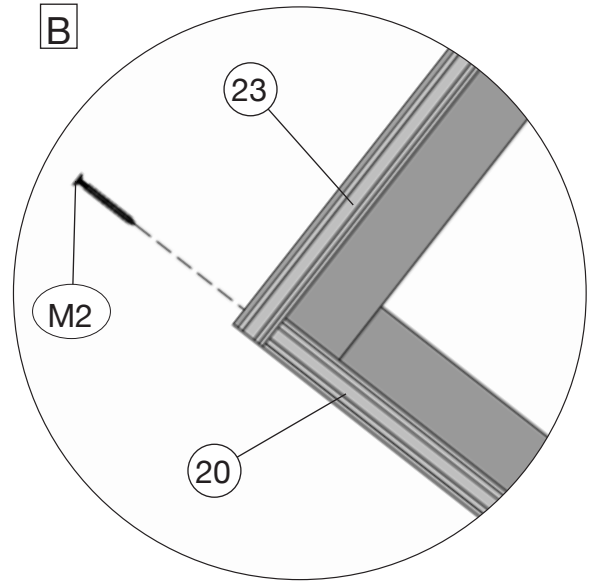
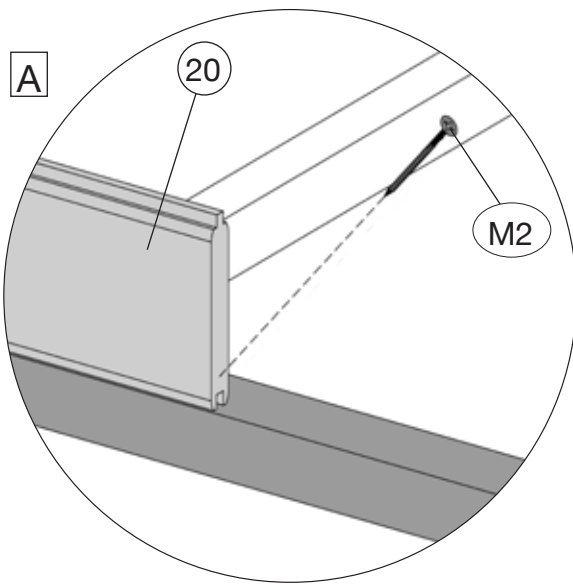
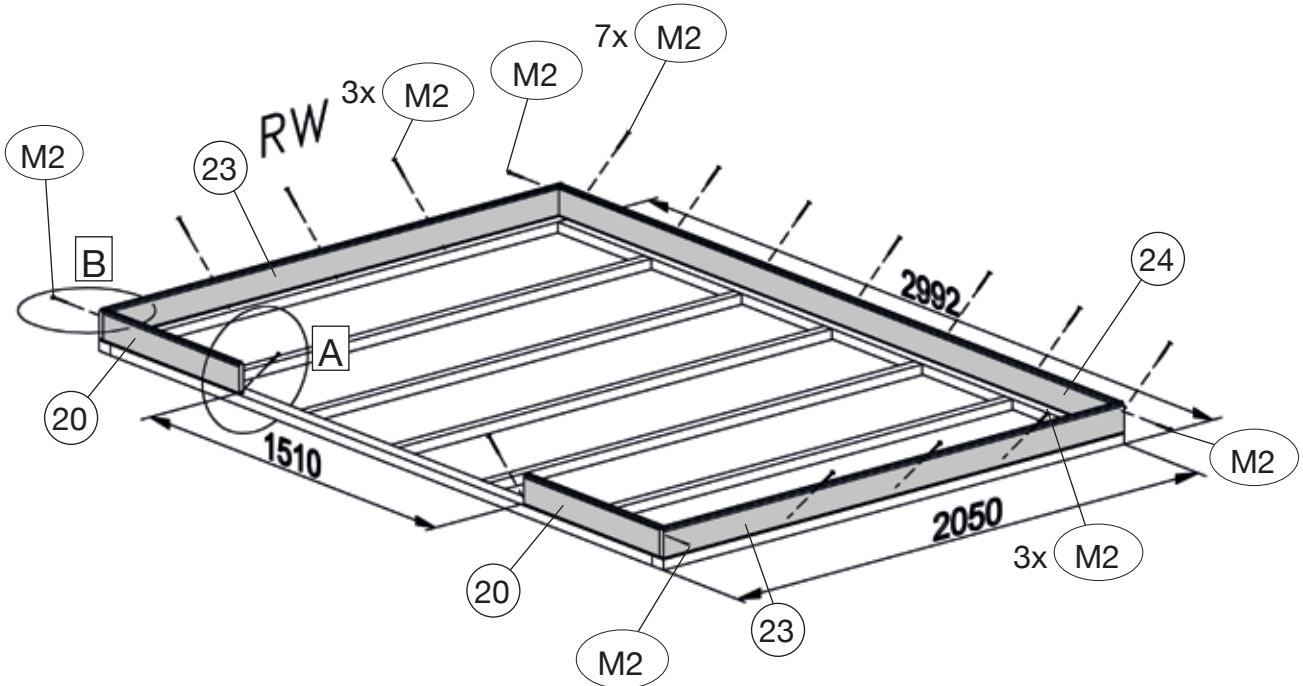
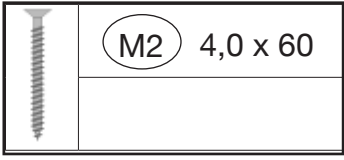
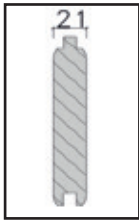


Abb.: 225.2130.10001

2



| | |
|----------------|----------|
| 225.XXXX.10001 | |
| M3 | 4,0 x 40 |

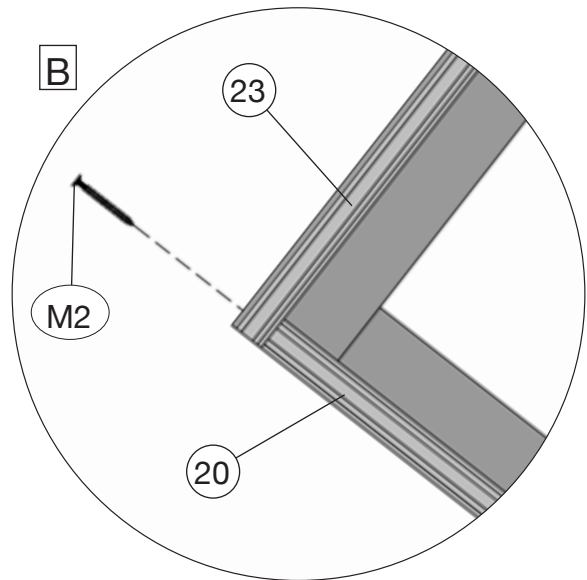
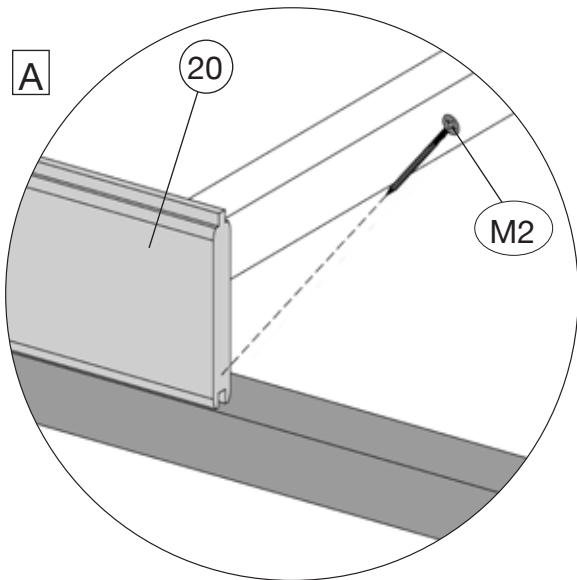
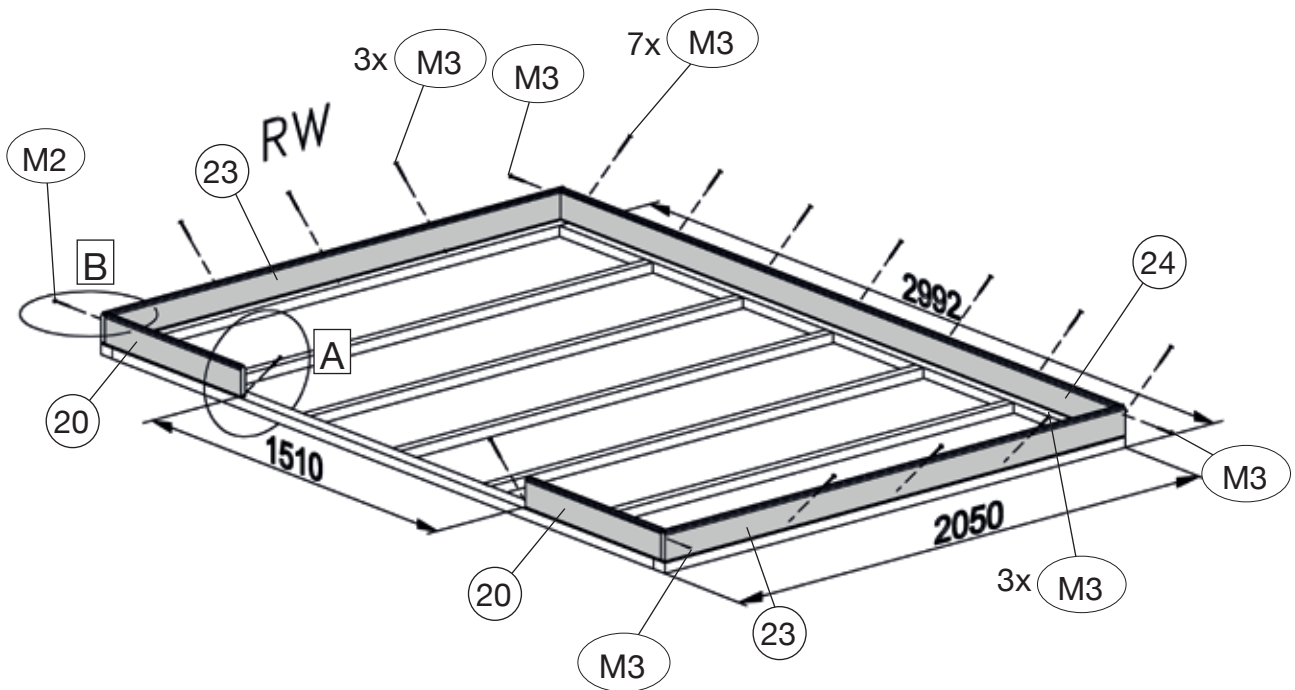
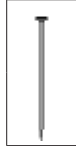
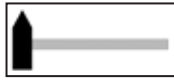
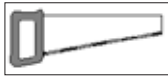


Abb.: 225.2130.10001

3



M7 2,2 x 55

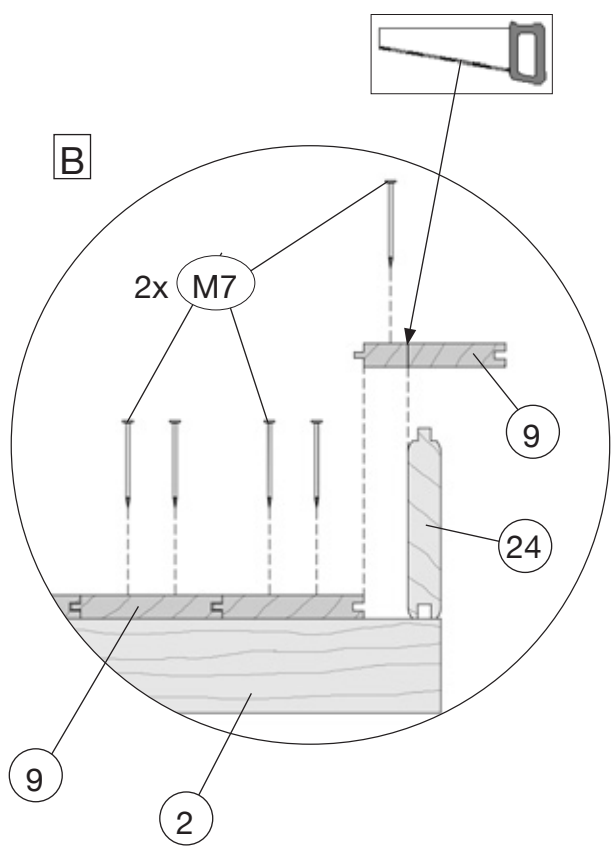
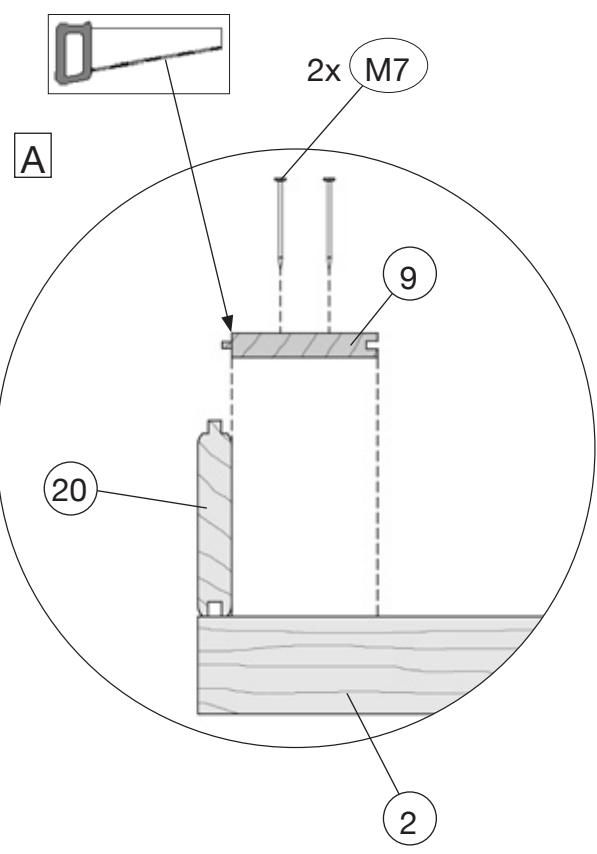
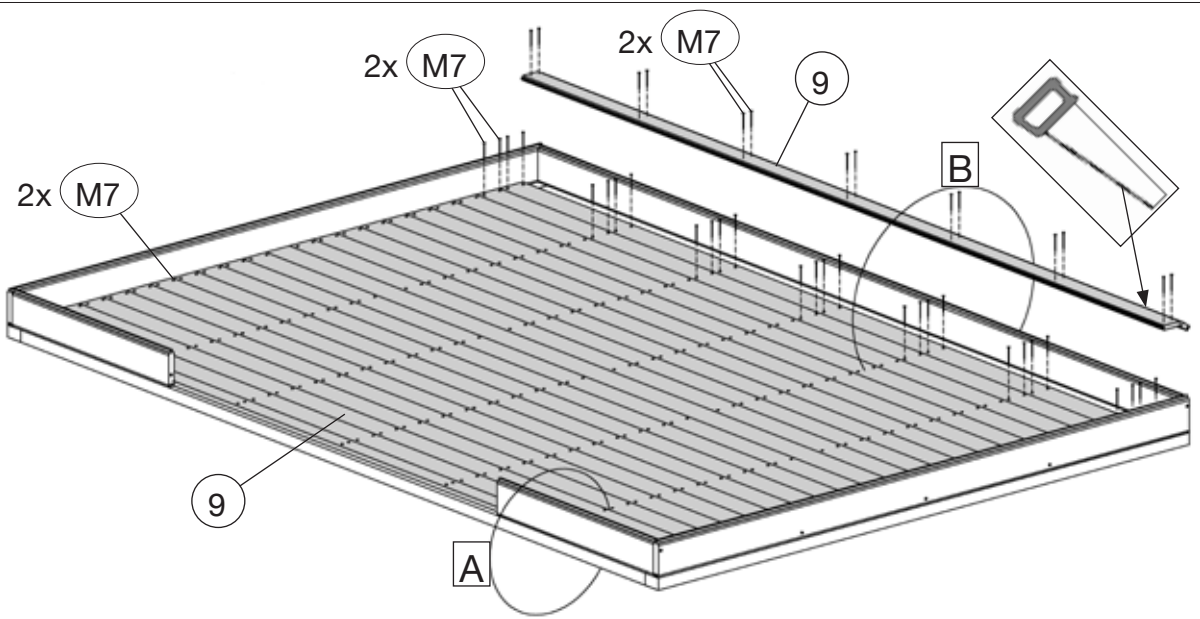
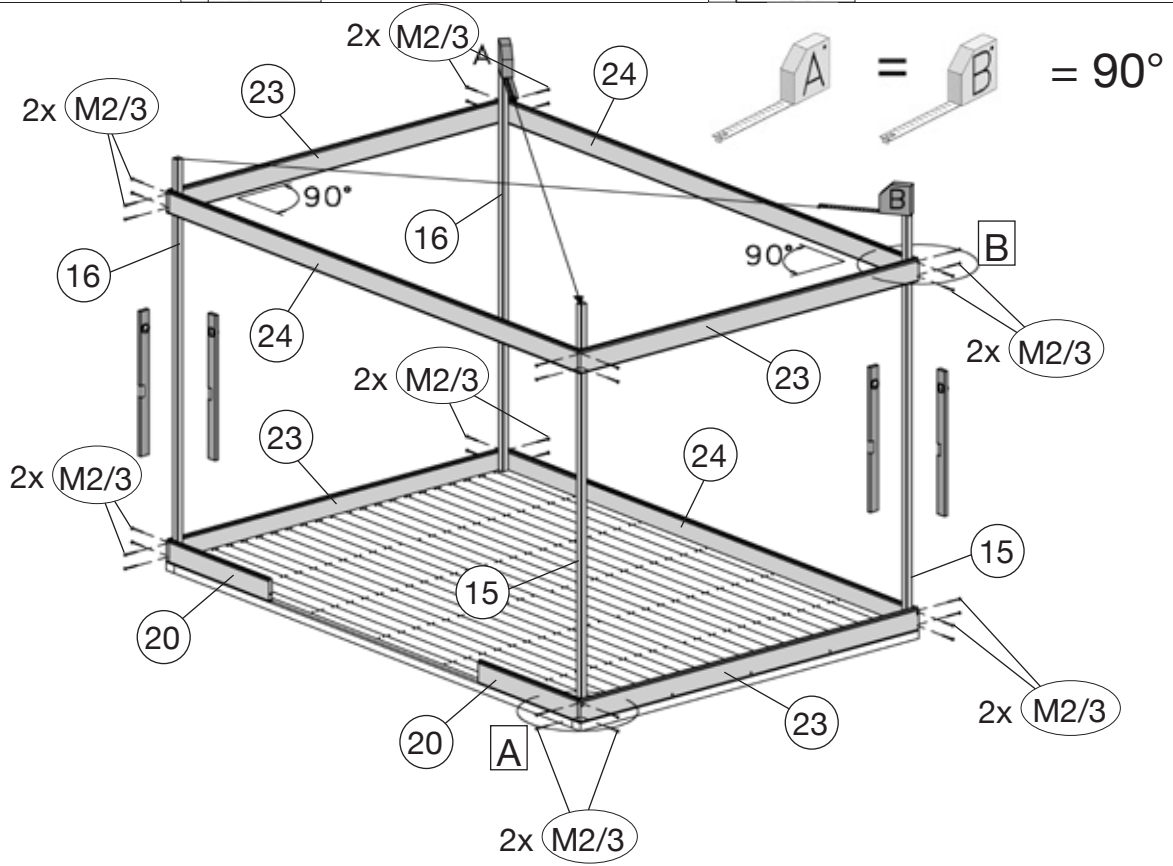
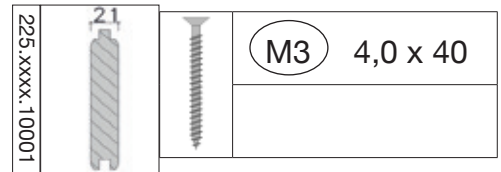
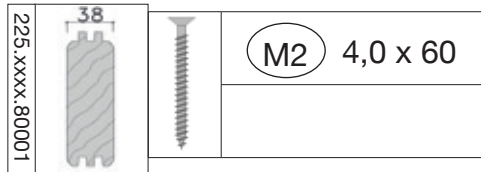


Abb.: 225.2130.10001

4



Die oberen Wandbohlen werden nur vorübergehend als Montagehilfe befestigt (Abb.5), später wieder abgenommen und an anderer Stelle montiert. (Abb.9)

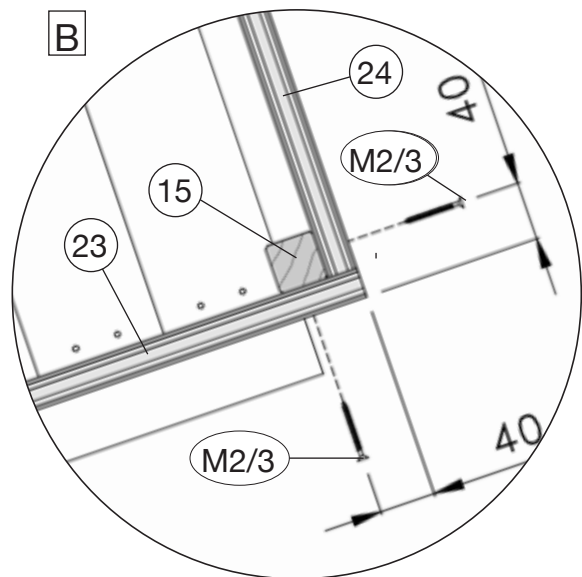
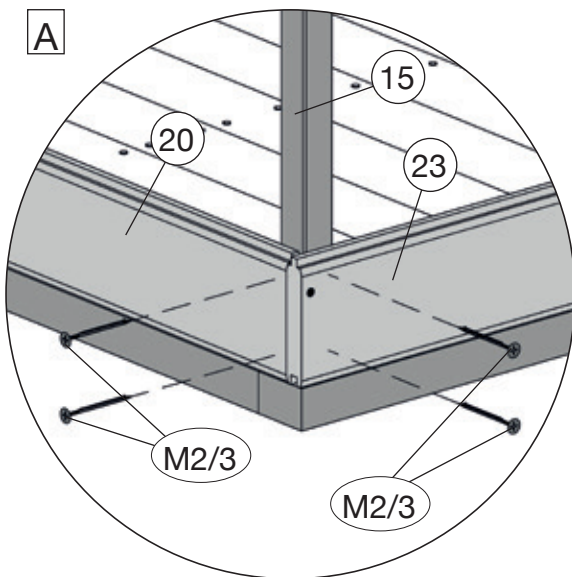



Abb.: 225.2130.10001



| | | |
|---|----|----------|
|  | M3 | 4,0 x 40 |
| | M2 | 4,0 x 60 |

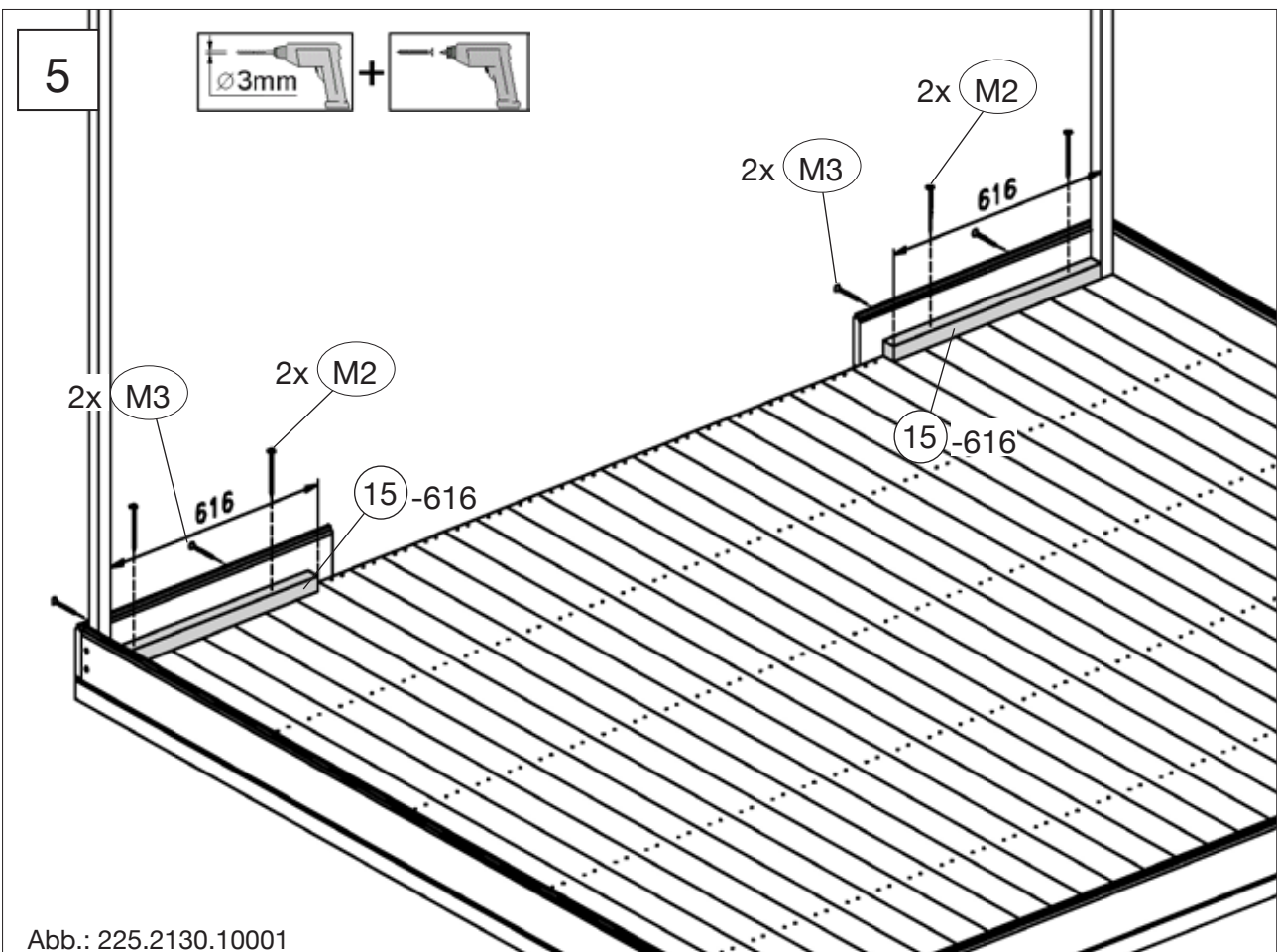
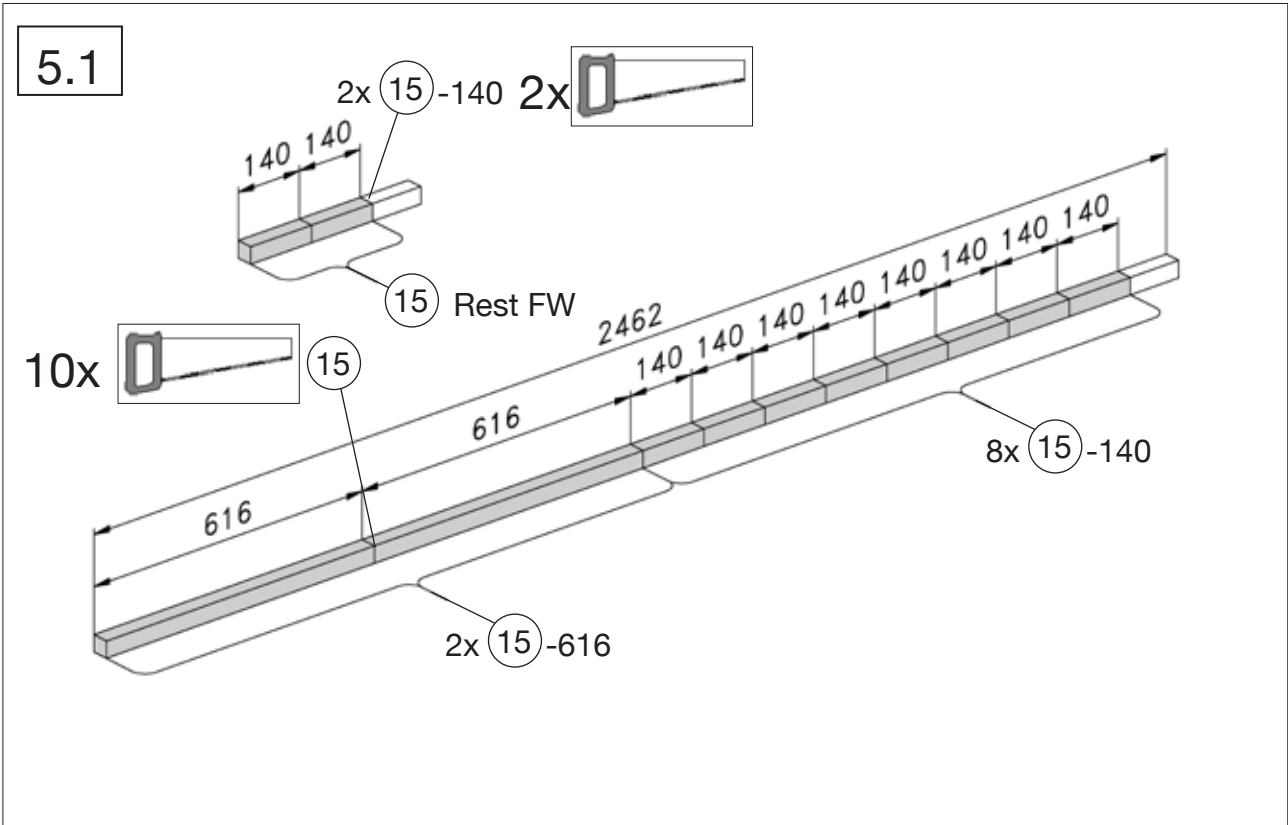



Abb.: 225.2130.10001

5 

5.1a Art.-Nr.: 225.--30.80001

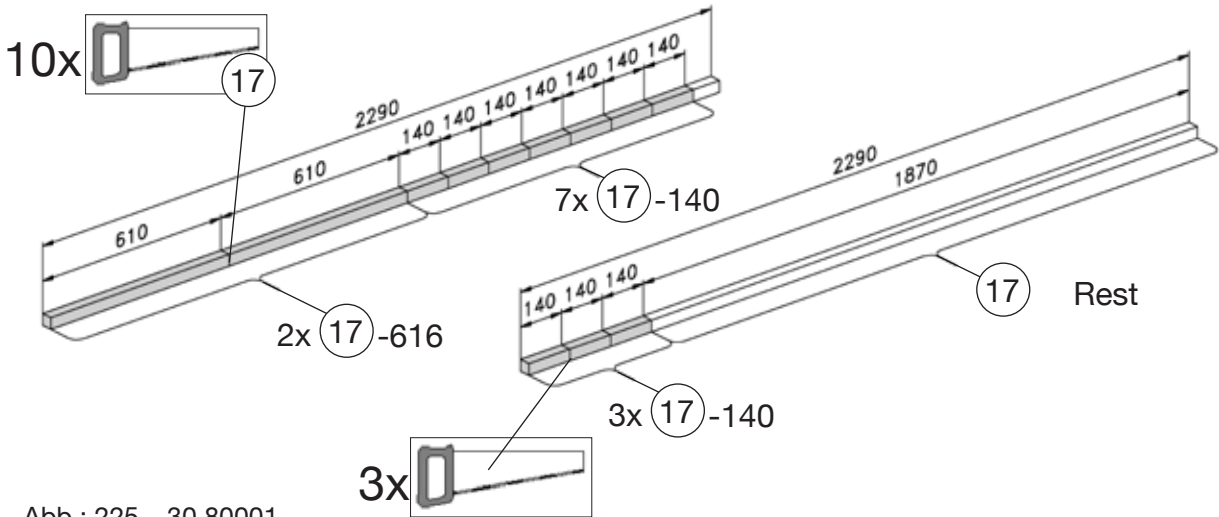




Abb.: 225.--30.80001

| | | | | | |
|----------------|--|-------------|----------------|--|-------------|
| 225.xxxx.80001 |  | M2 4,0 x 60 | 225.xxxx.10001 |  | M3 4,0 x 40 |
| | | | | | |

6

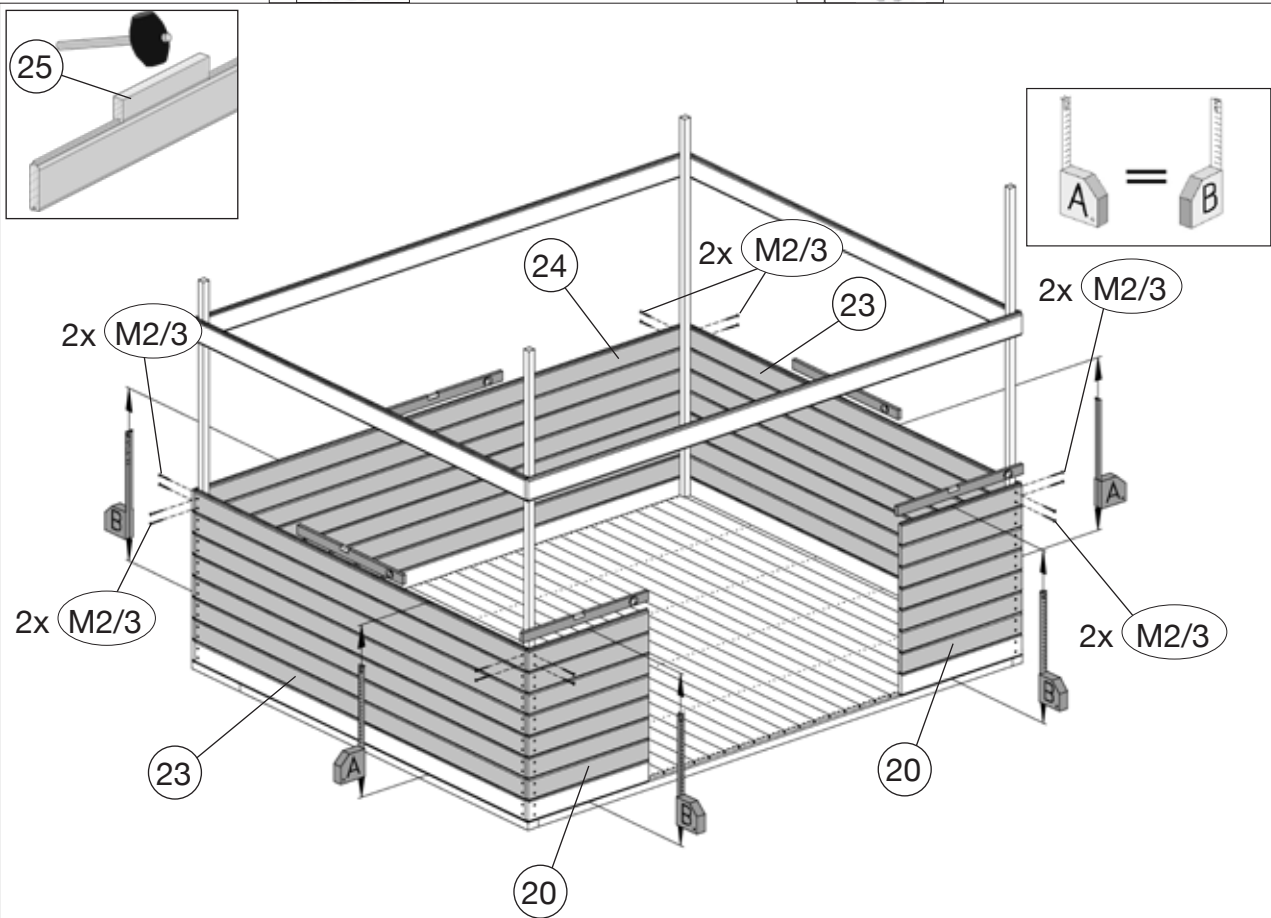
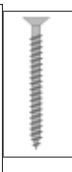
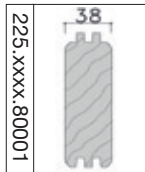
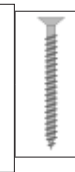
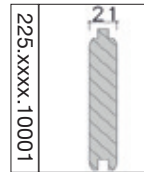


Abb.: 225.2130.10001

7



M2 4,0 x 60



M3 4,0 x 40

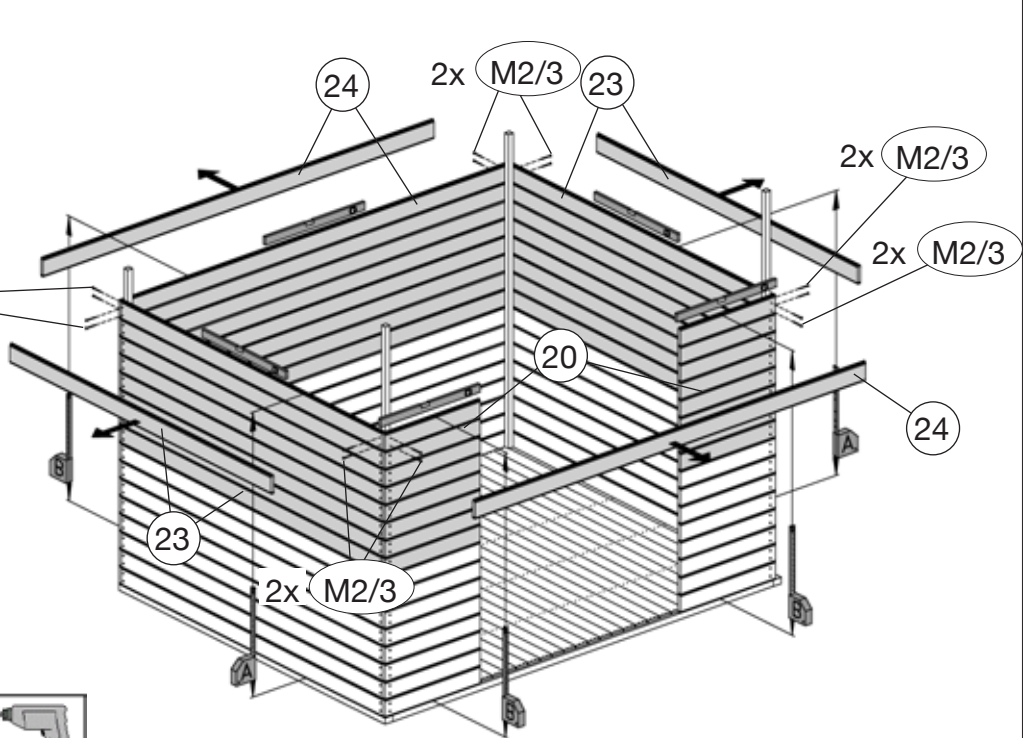
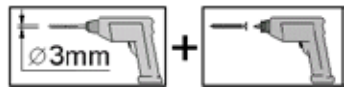
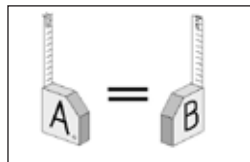
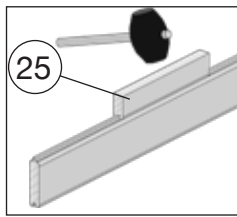
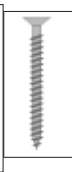
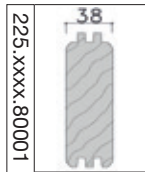
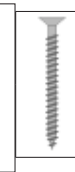
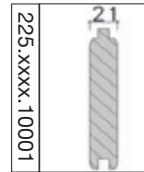


Abb.: 225.2130.10001

8



M2 4,0 x 60



M3 4,0 x 40

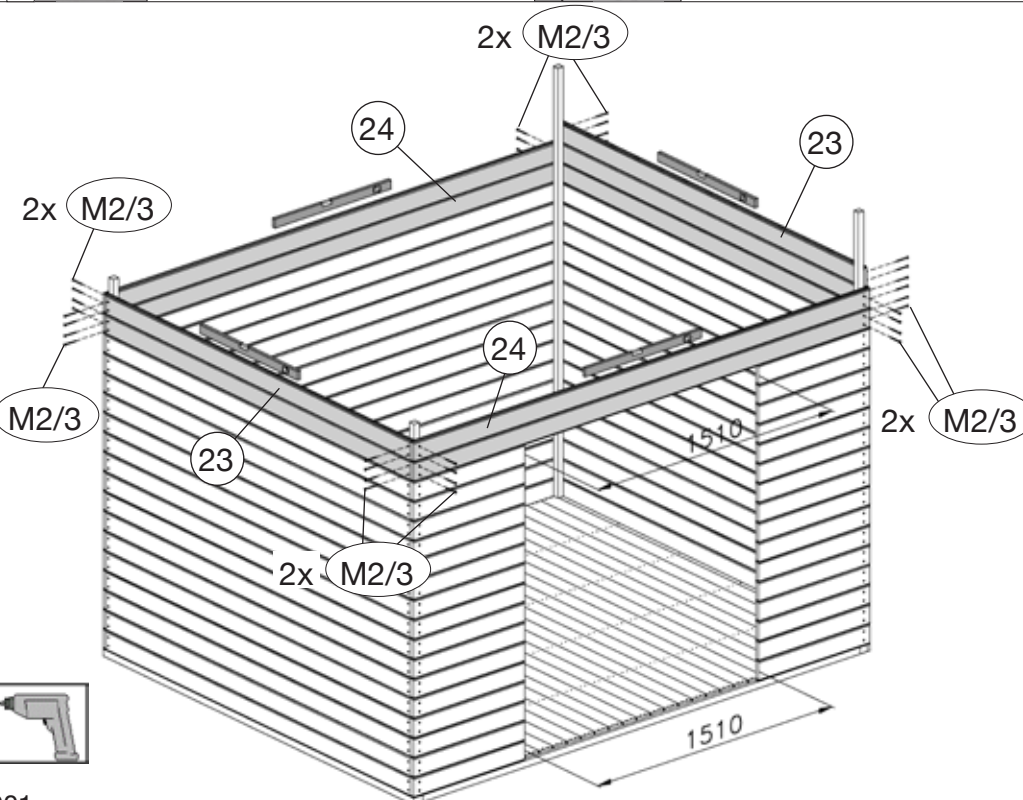
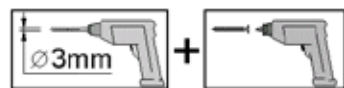
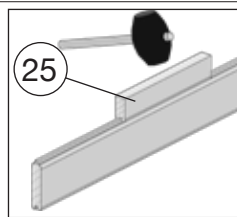
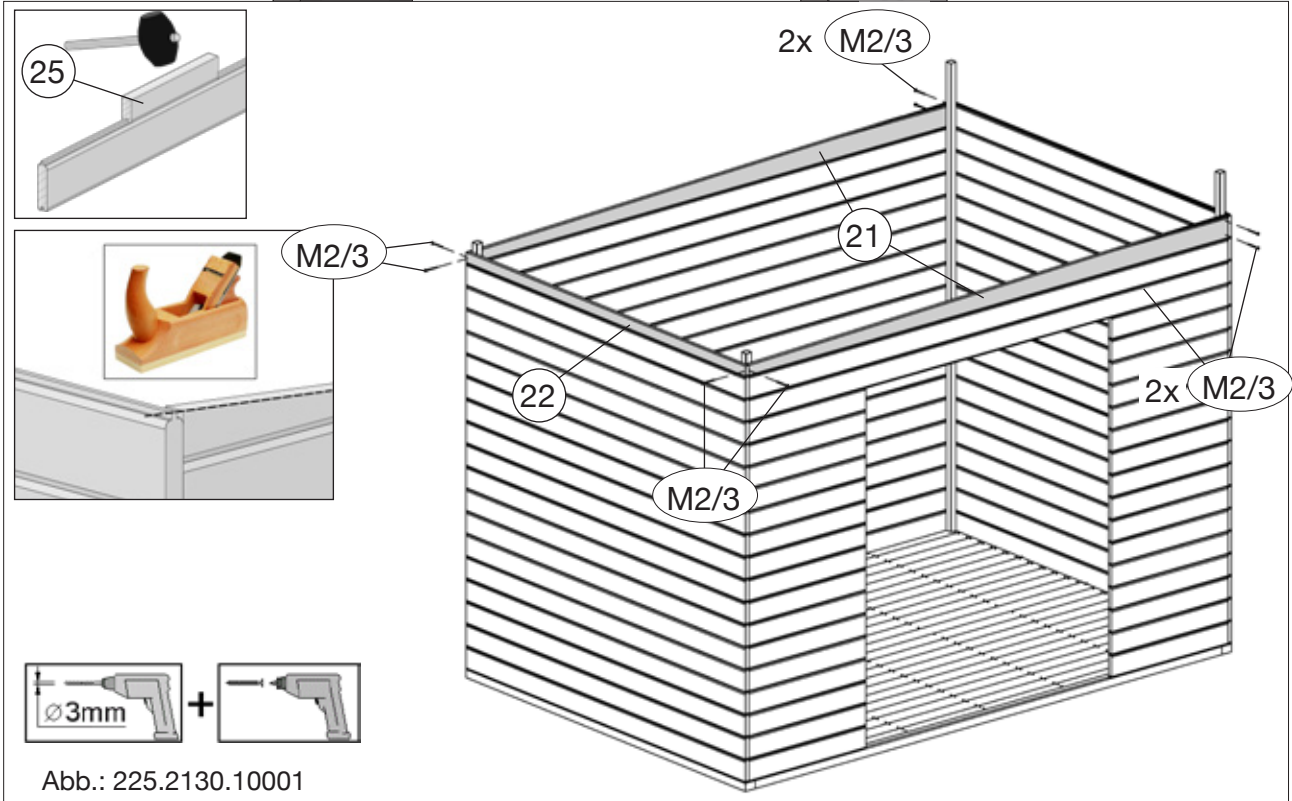
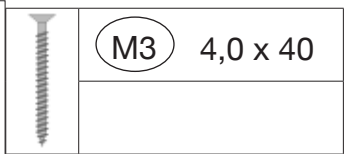
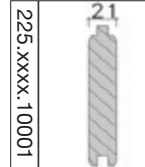
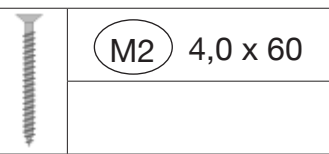
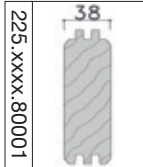
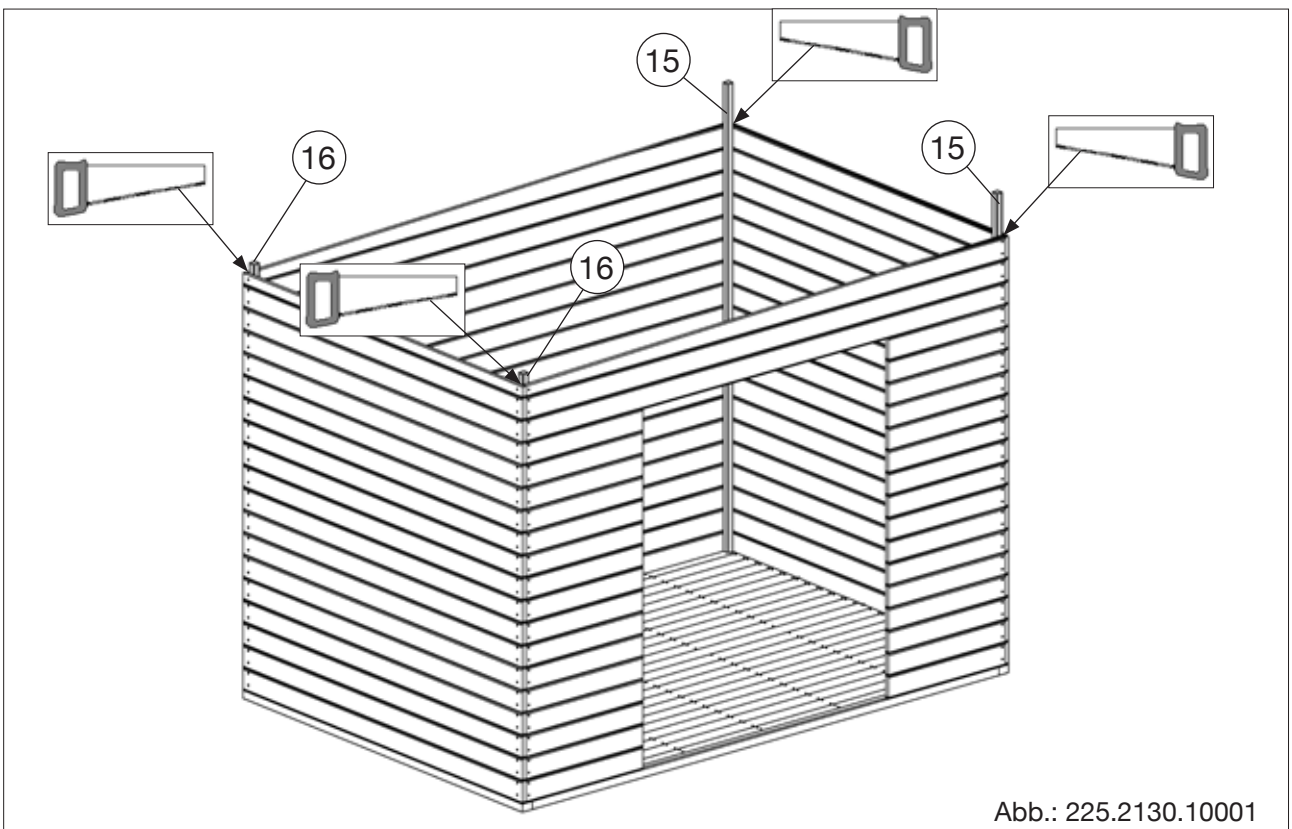
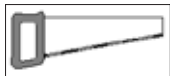


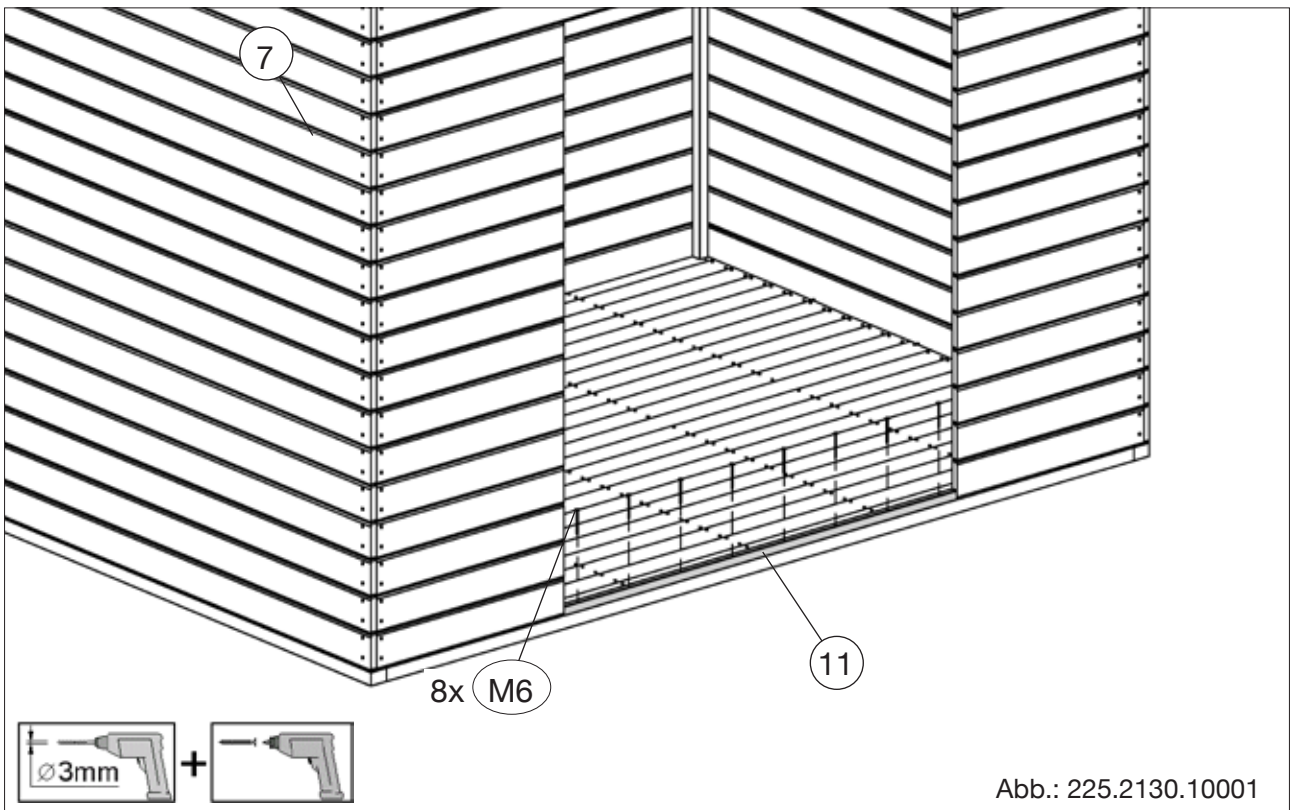
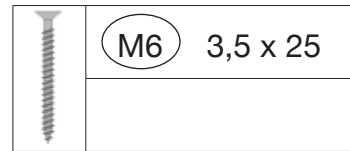
Abb.: 225.2130.10001

9

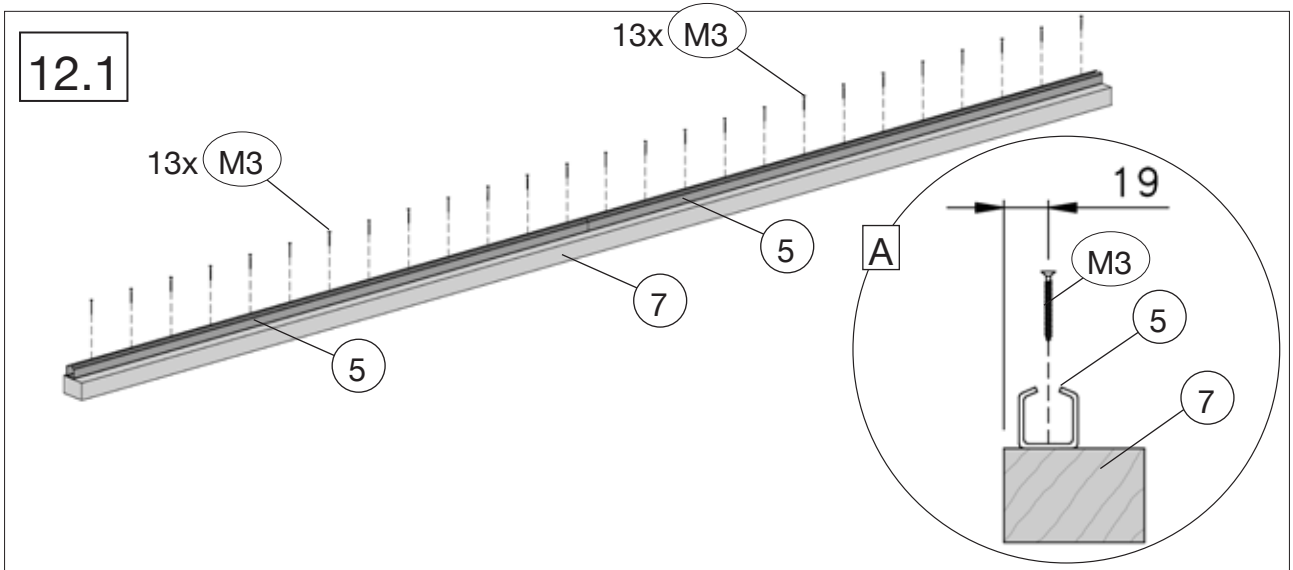
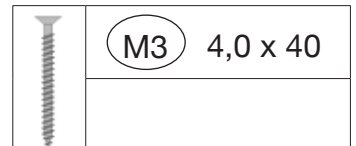


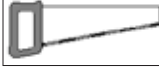
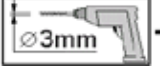




10

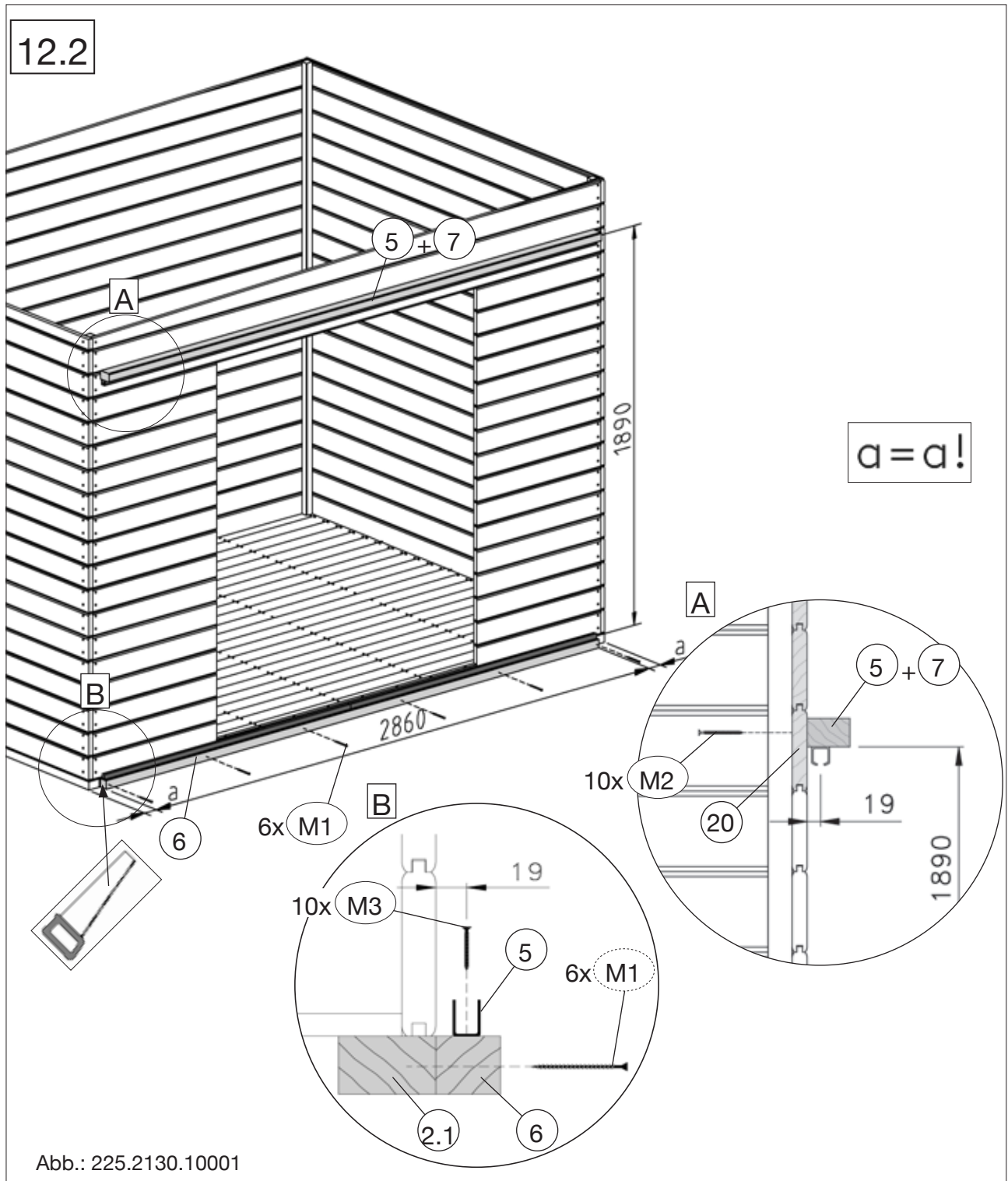


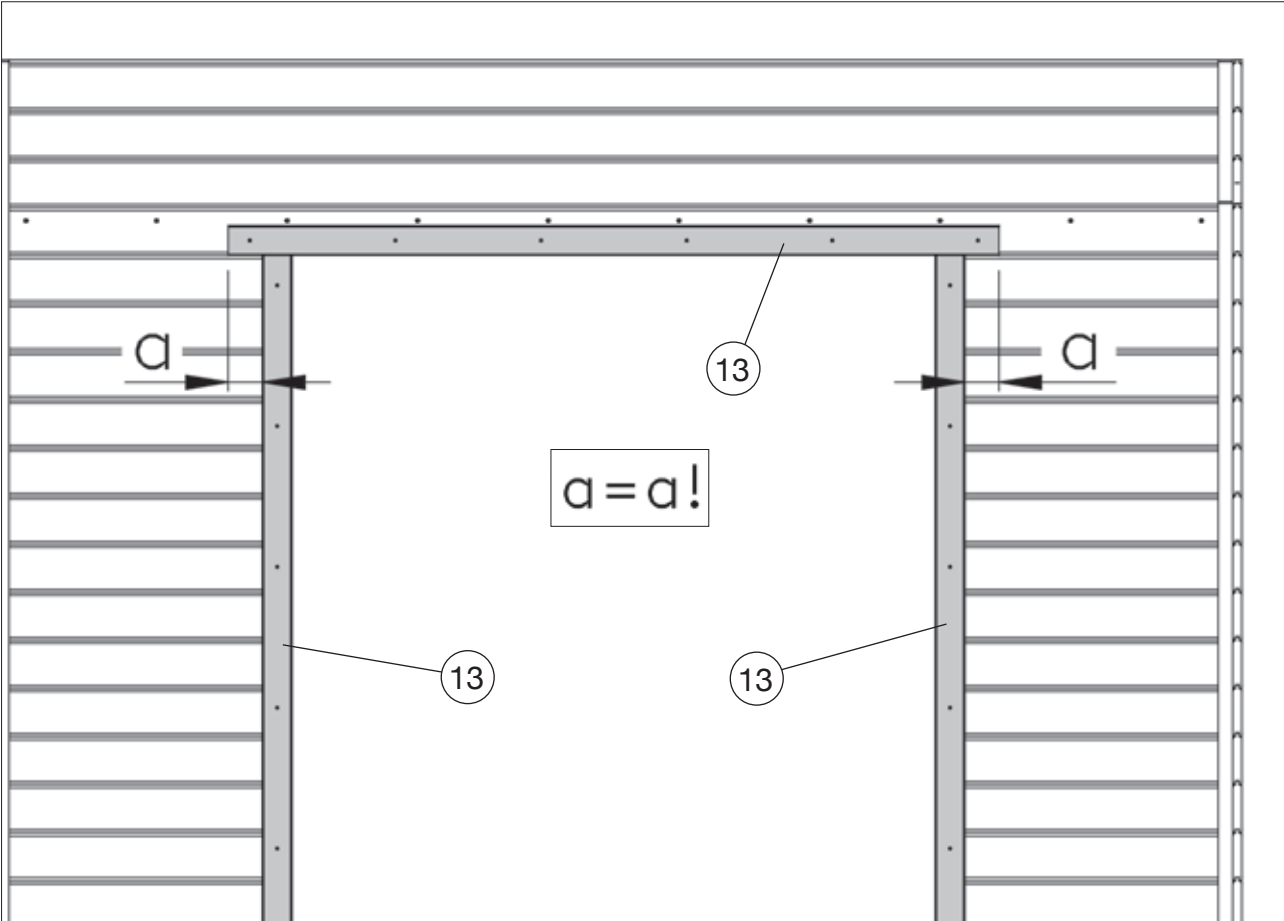
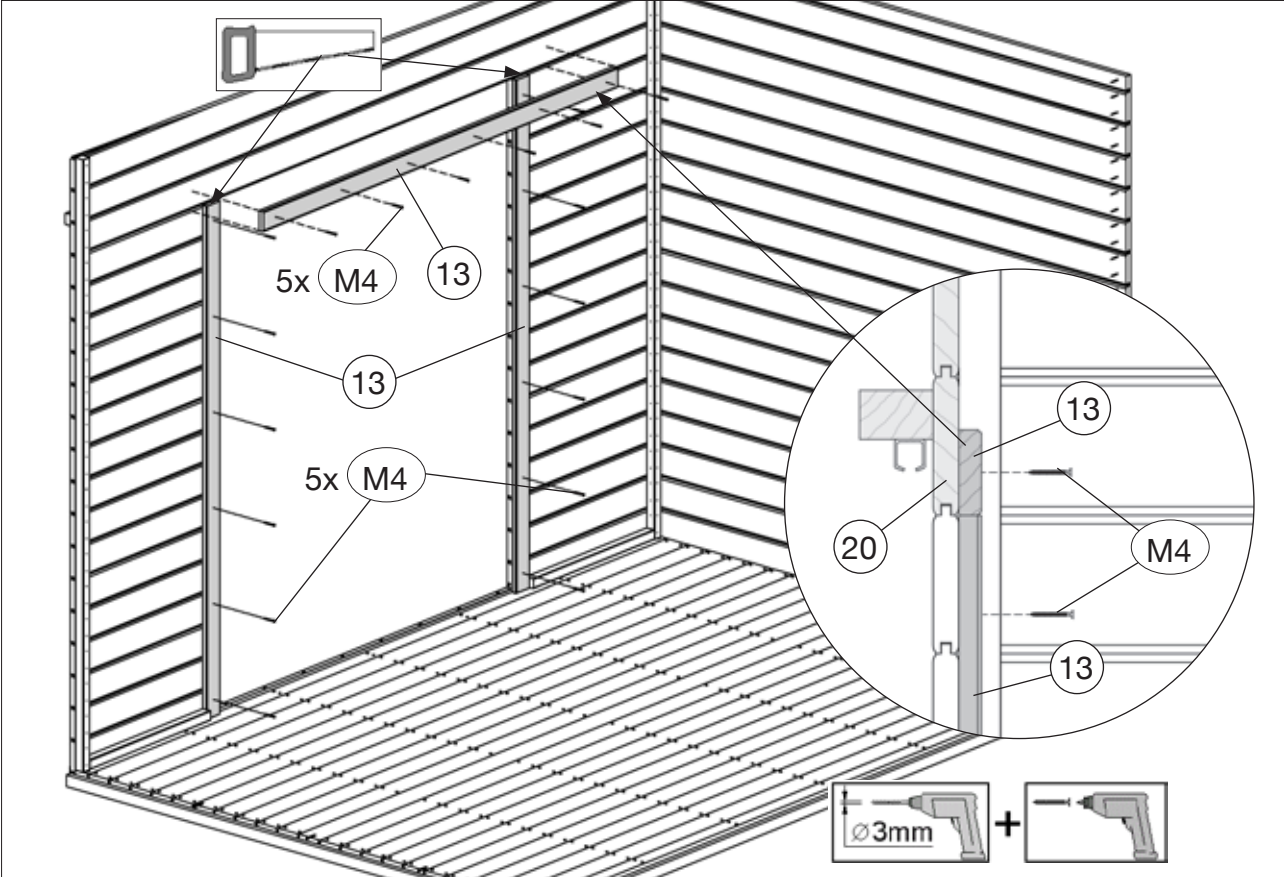
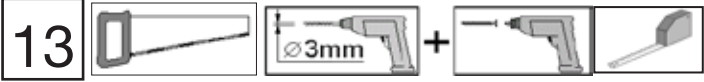





12



| | | | | | | | | | | |
|----|---|---|---|---|---|----|----------|---|----|----------|
| 12 |  |  | + |  |  | M1 | 5,0 x 80 |  | M2 | 4,0 x 60 |
| | | | | |  | M3 | 4,0 x 40 | | | |





14   + 

| | | |
|---|----|----------|
|  | M4 | 3,5 x 35 |
| | M5 | 3,5 x 30 |

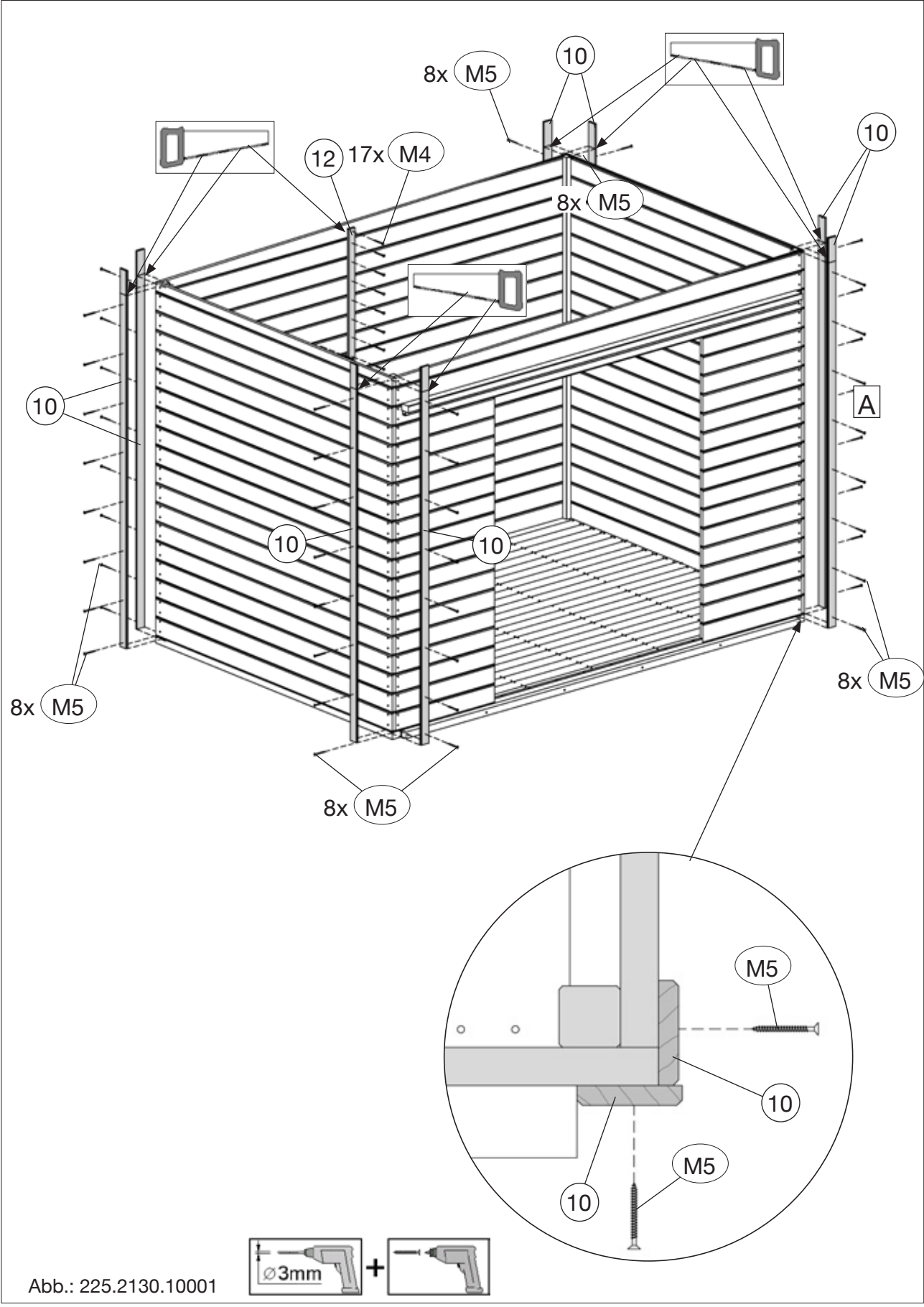








Abb.: 225.2130.10001

 + 

15   + 

| | |
|---|-------------|
|  | M6 3,5 x 25 |
|---|-------------|

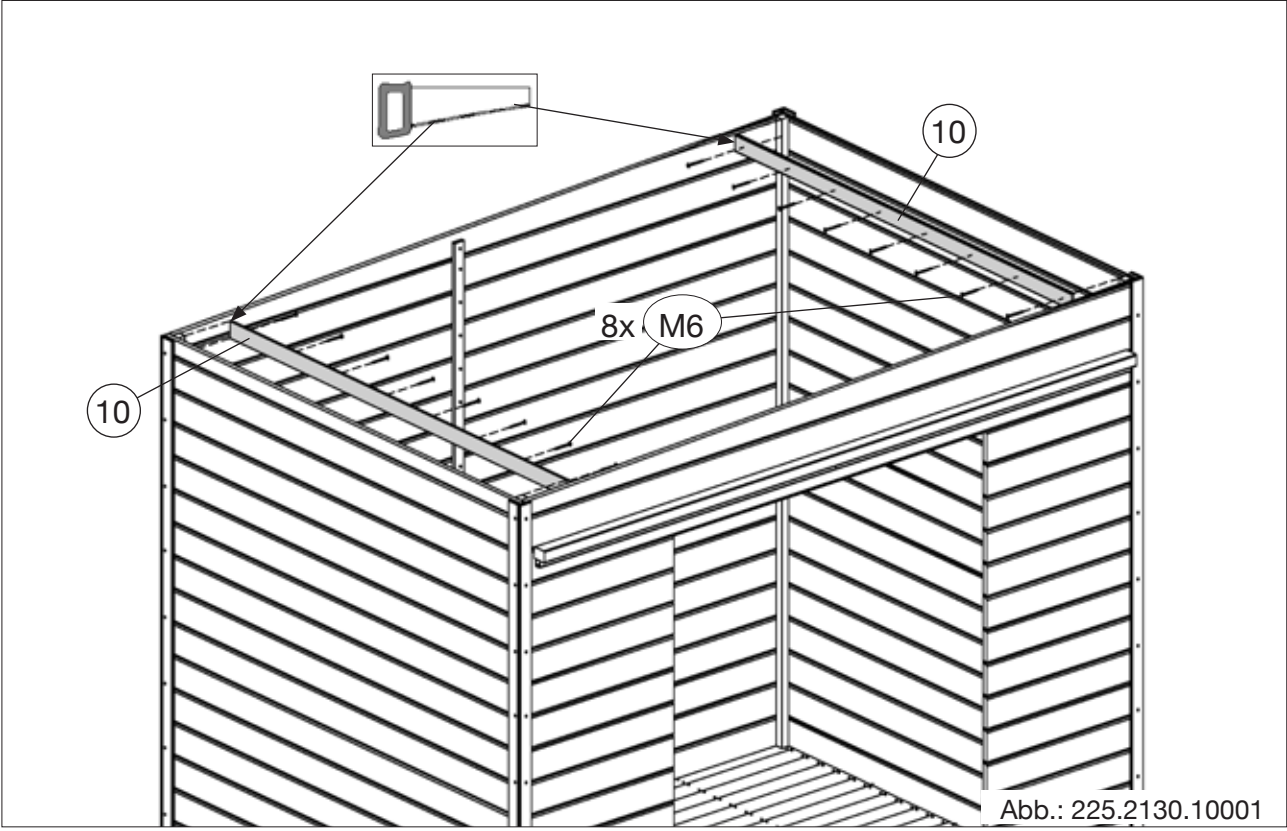






Abb.: 225.2130.10001

16

225,xxxx,80001 

| | |
|---|-------------|
|  | M1 5,0 x 80 |
| | M2 4,0 x 60 |

225,xxxx,10001 

| | |
|---|-------------|
|  | M2 4,0 x 60 |
| | M3 4,0 x 40 |

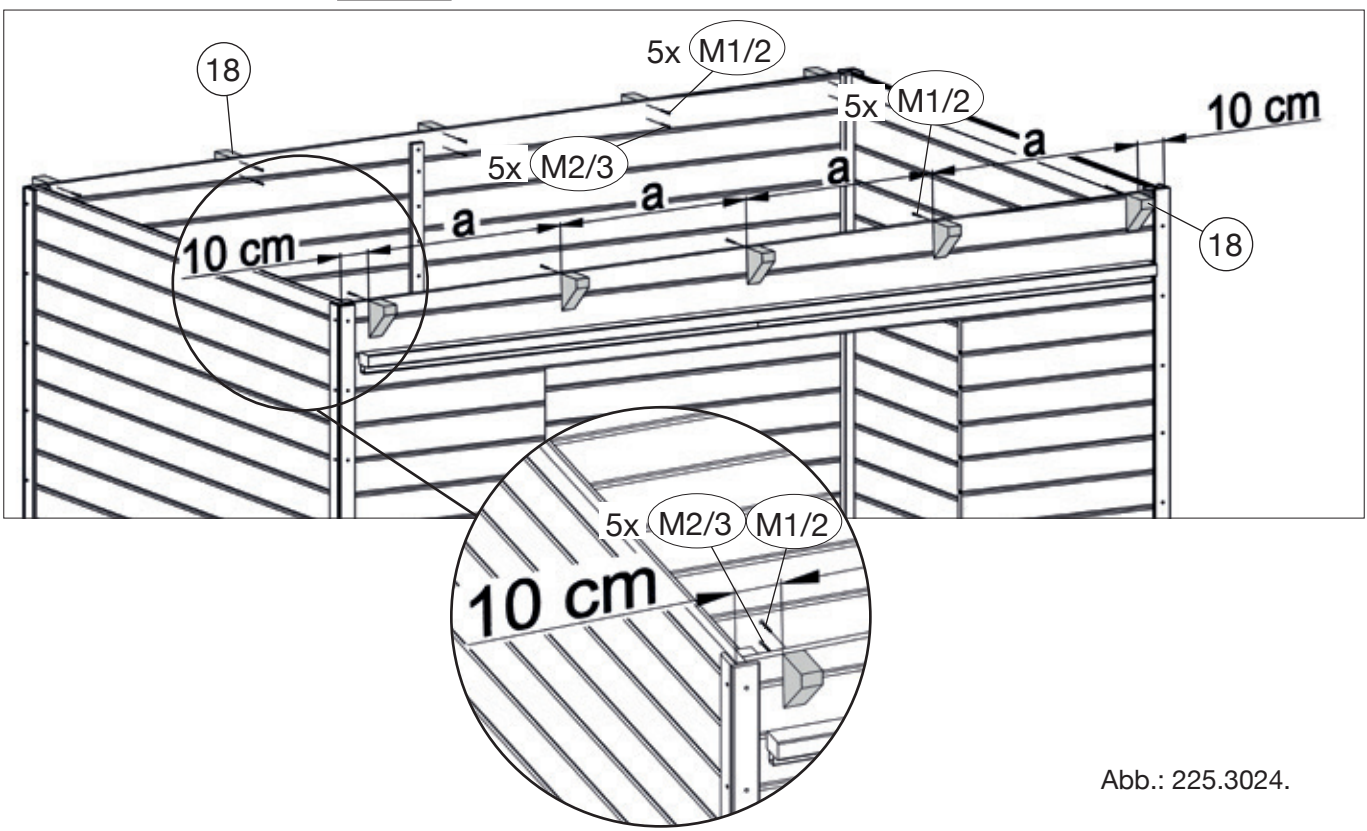
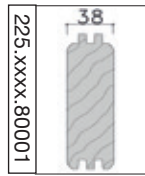

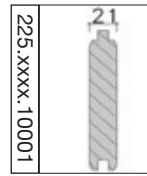



Abb.: 225.3024.

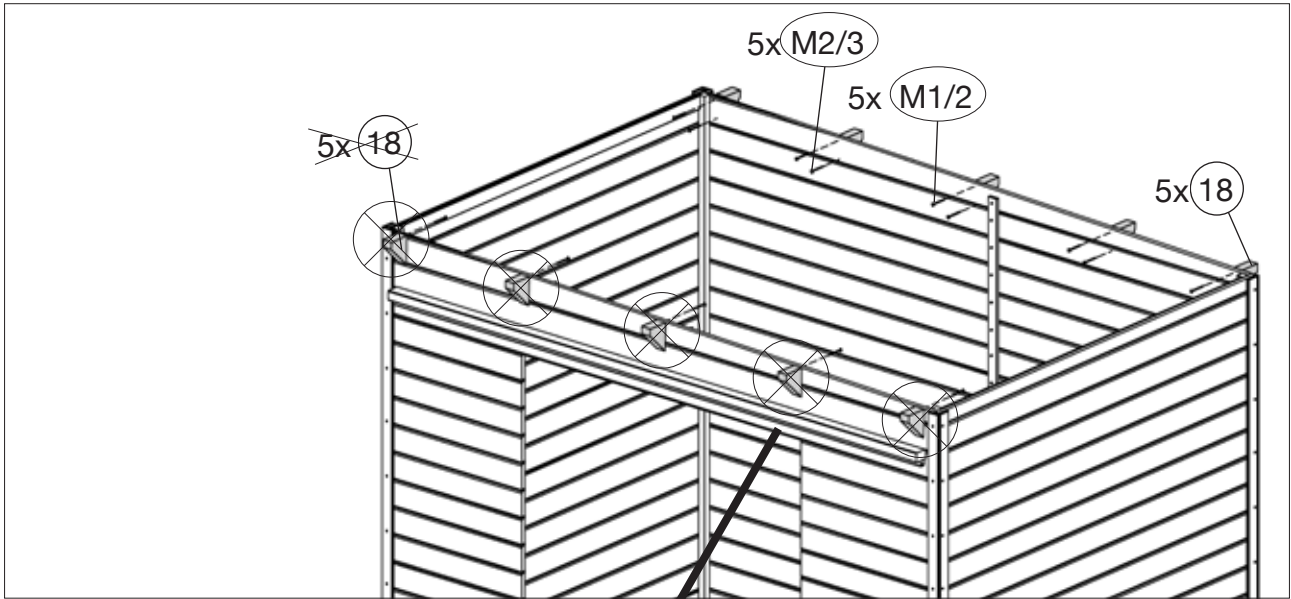
16.1



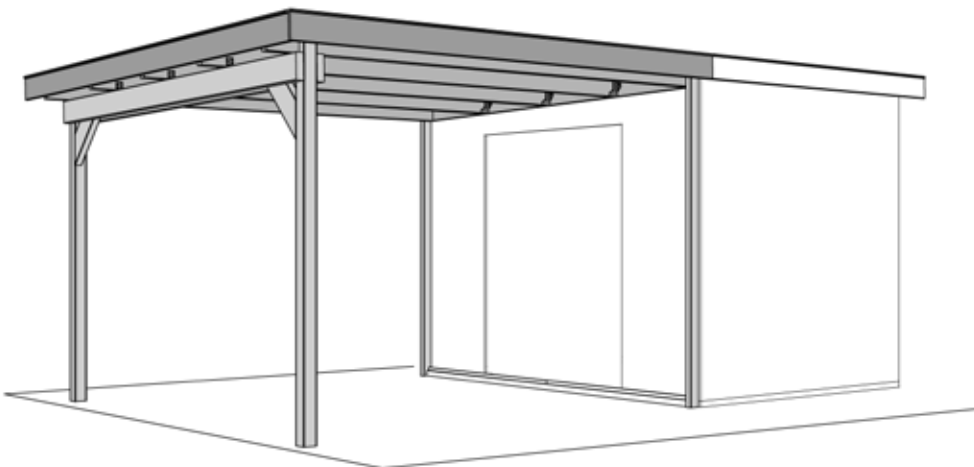
| | | |
|---|----|----------|
|  | M1 | 5,0 x 80 |
| | M2 | 4,0 x 60 |



| | | |
|---|----|----------|
|  | M2 | 4,0 x 60 |
| | M3 | 4,0 x 40 |

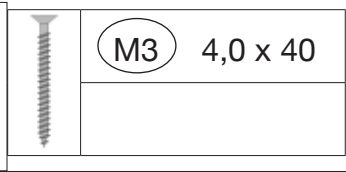
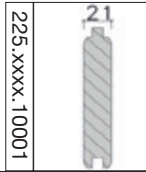
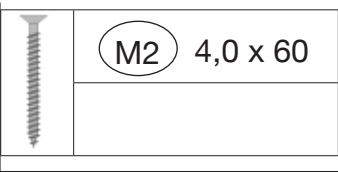
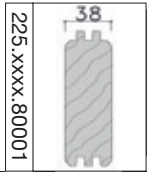


MA800.0286.17.68



225.2130.10X01 / 80201
225.2430.10X01 / 80201
225.3030.10x01 / 80201

17



17.1

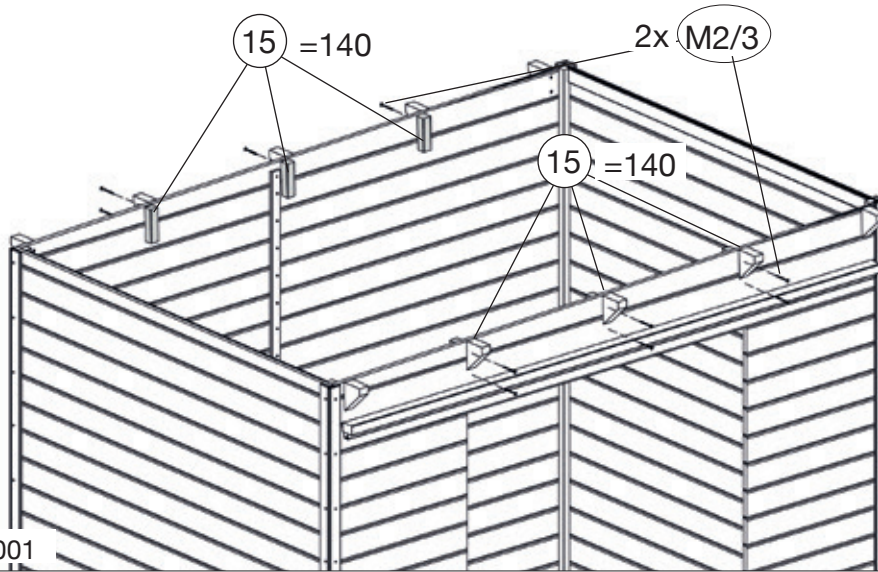


Abb.: 225.2130.10001

17.2

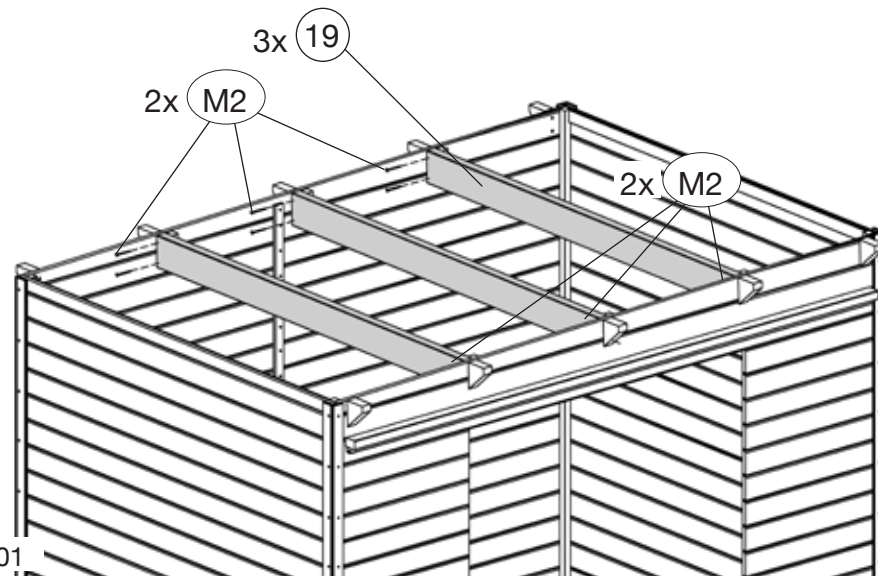


Abb.: 225.2130.10001

17.3

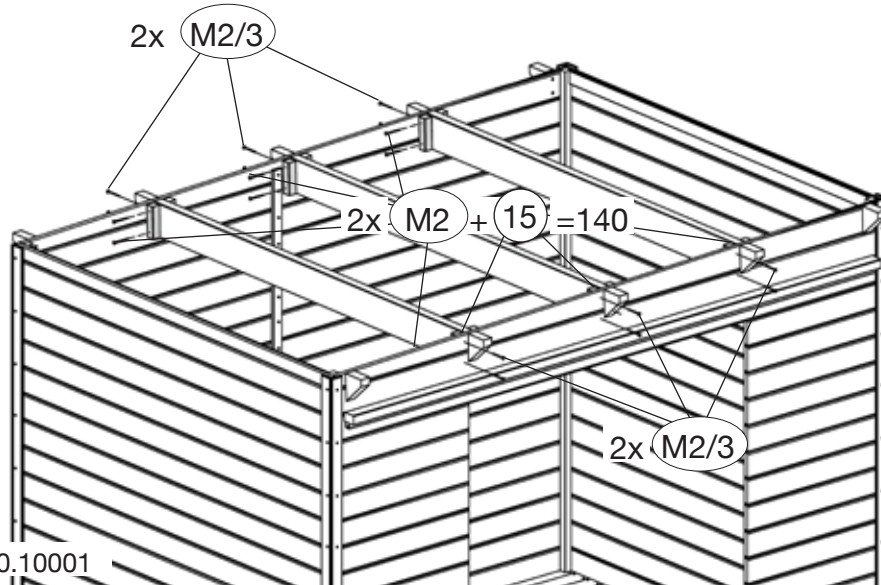


Abb.: 225.2130.10001

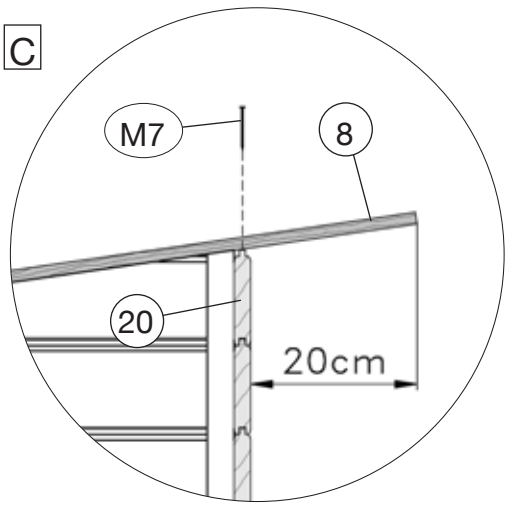
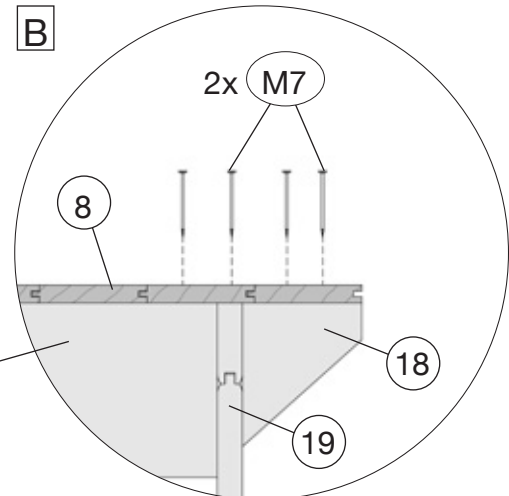
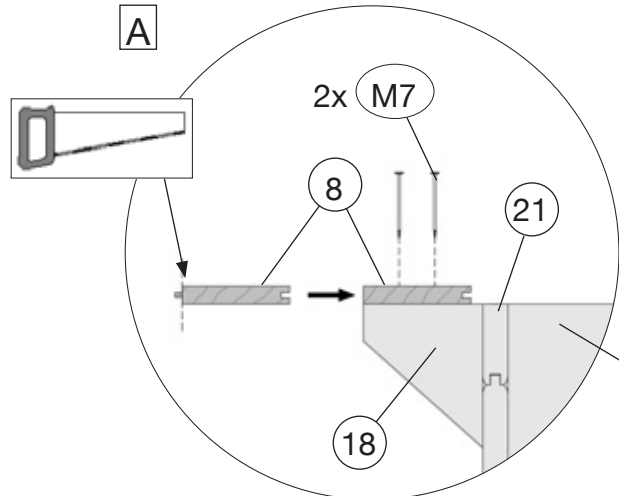
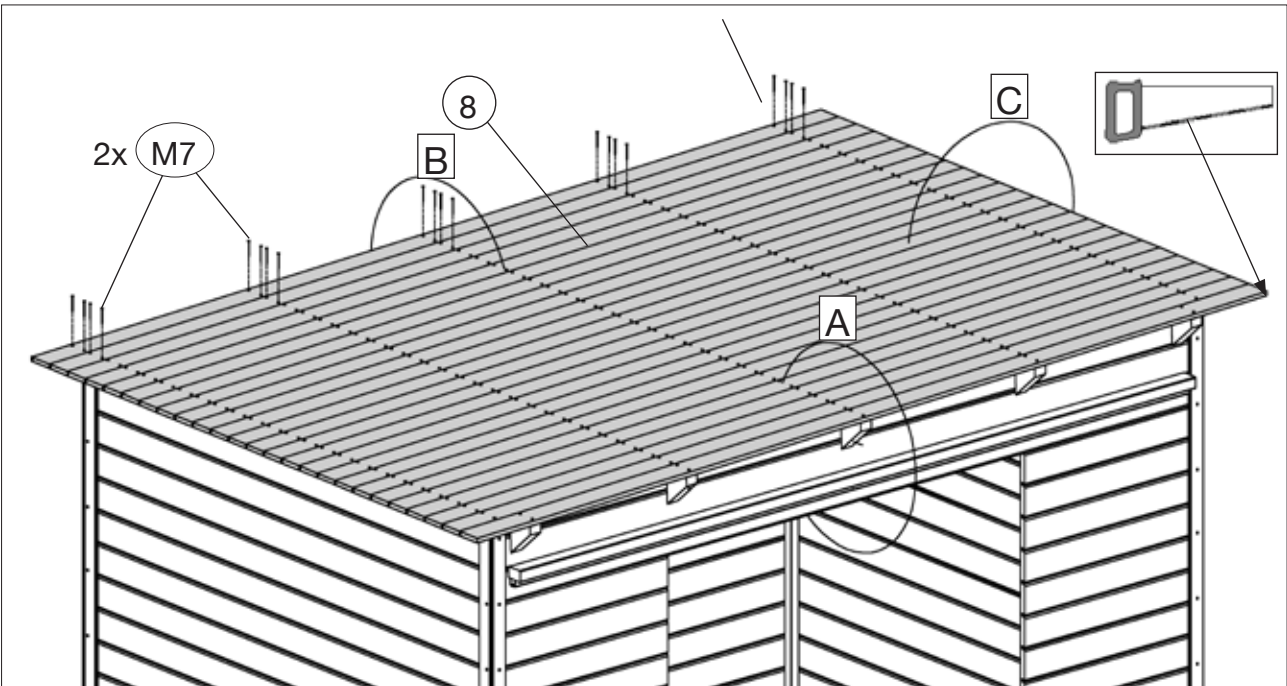
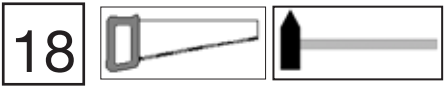
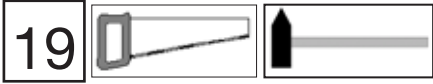


Abb.: 225.2130.10001



| | |
|---|-------------|
| ↓ | M5 3,5 x 30 |
| | |

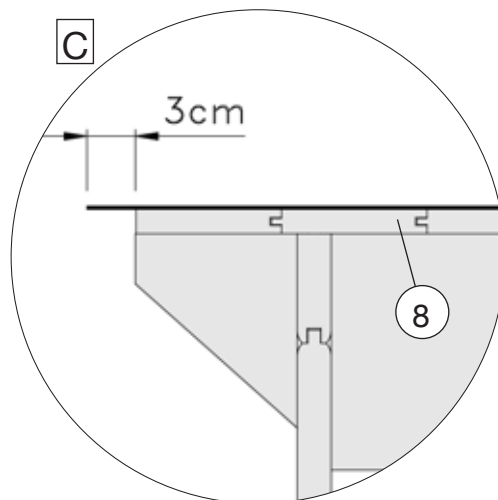
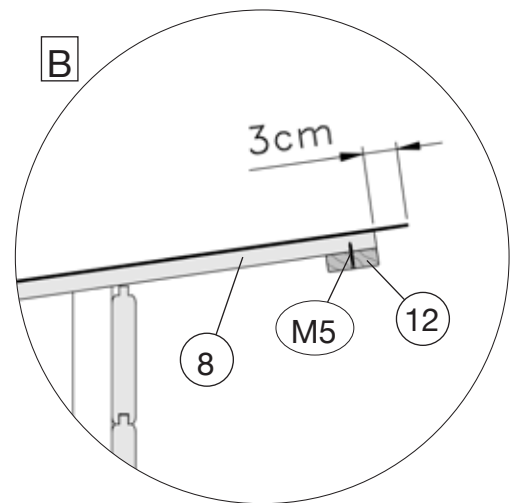
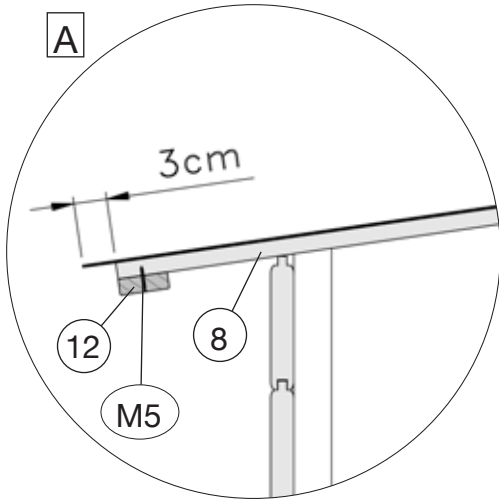
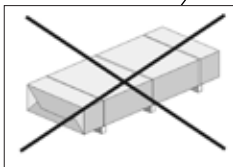
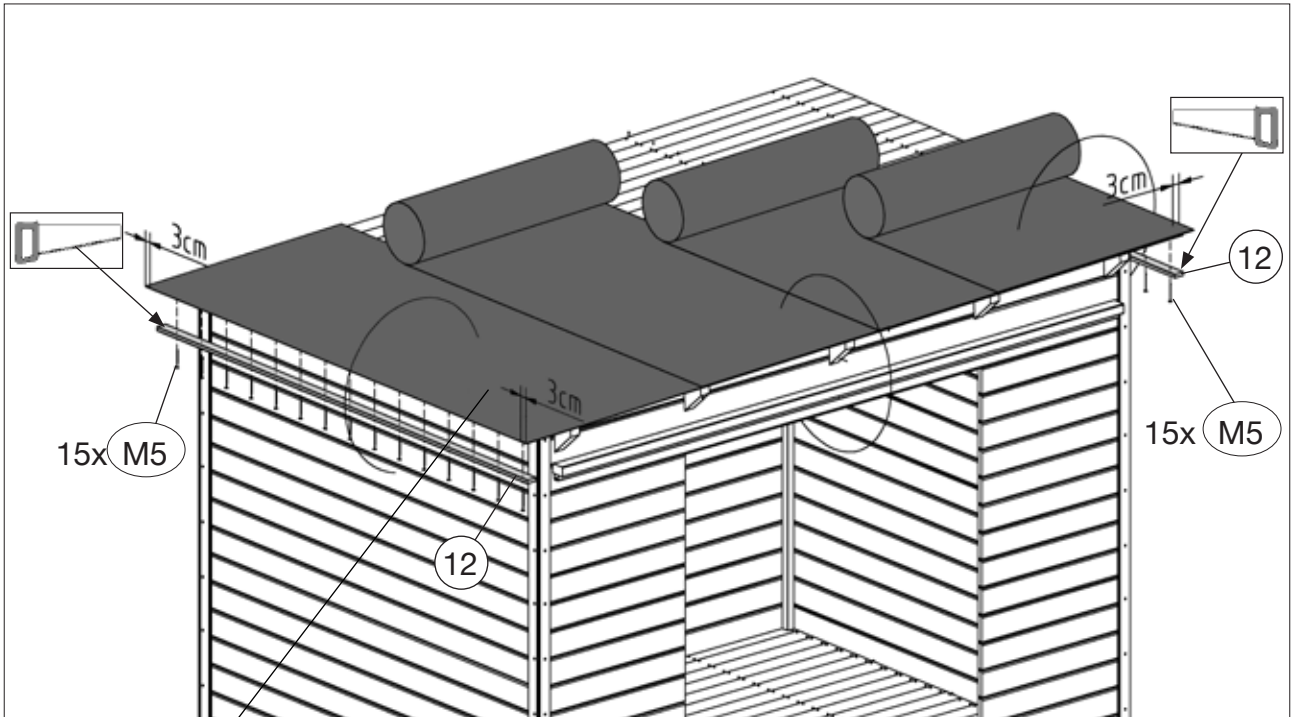
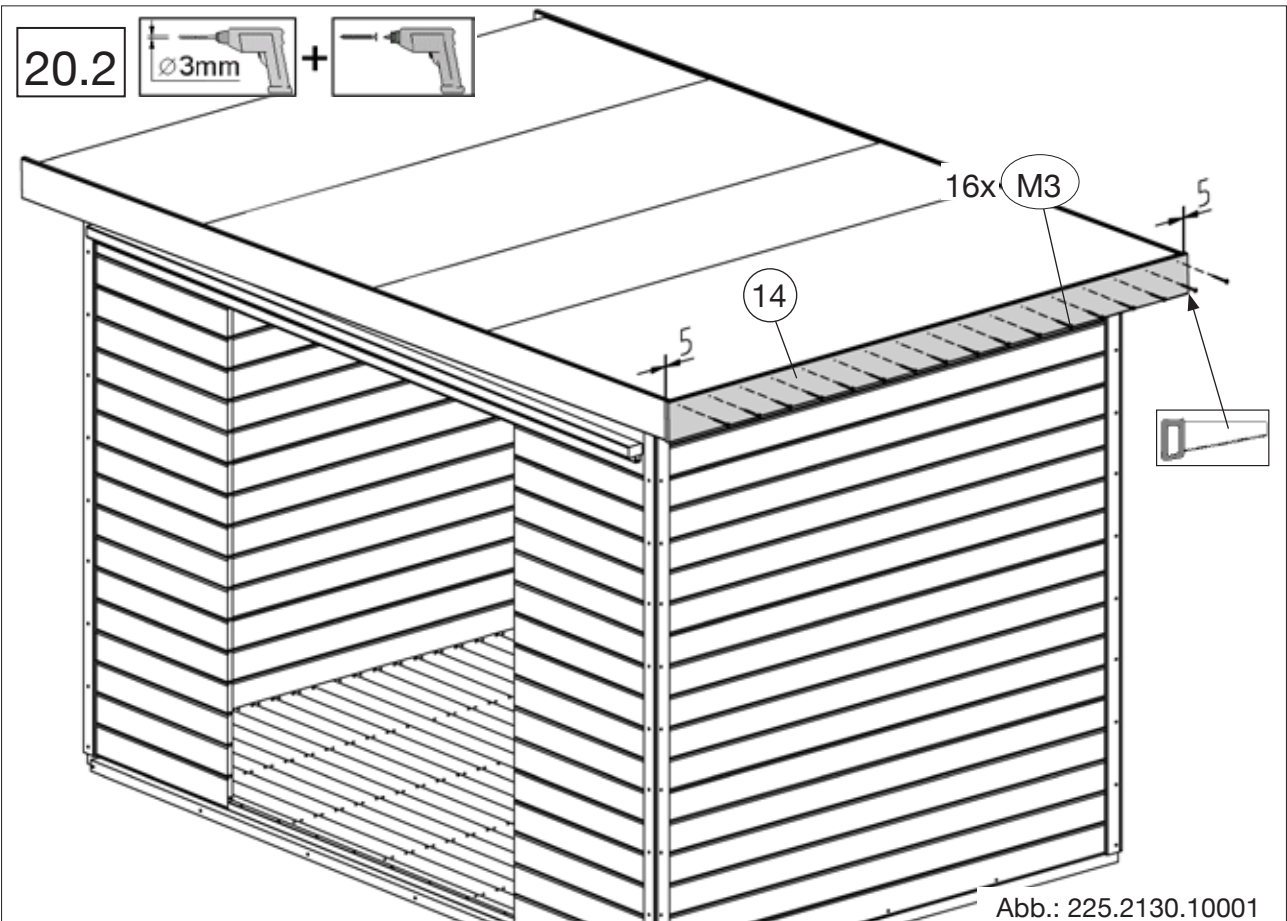
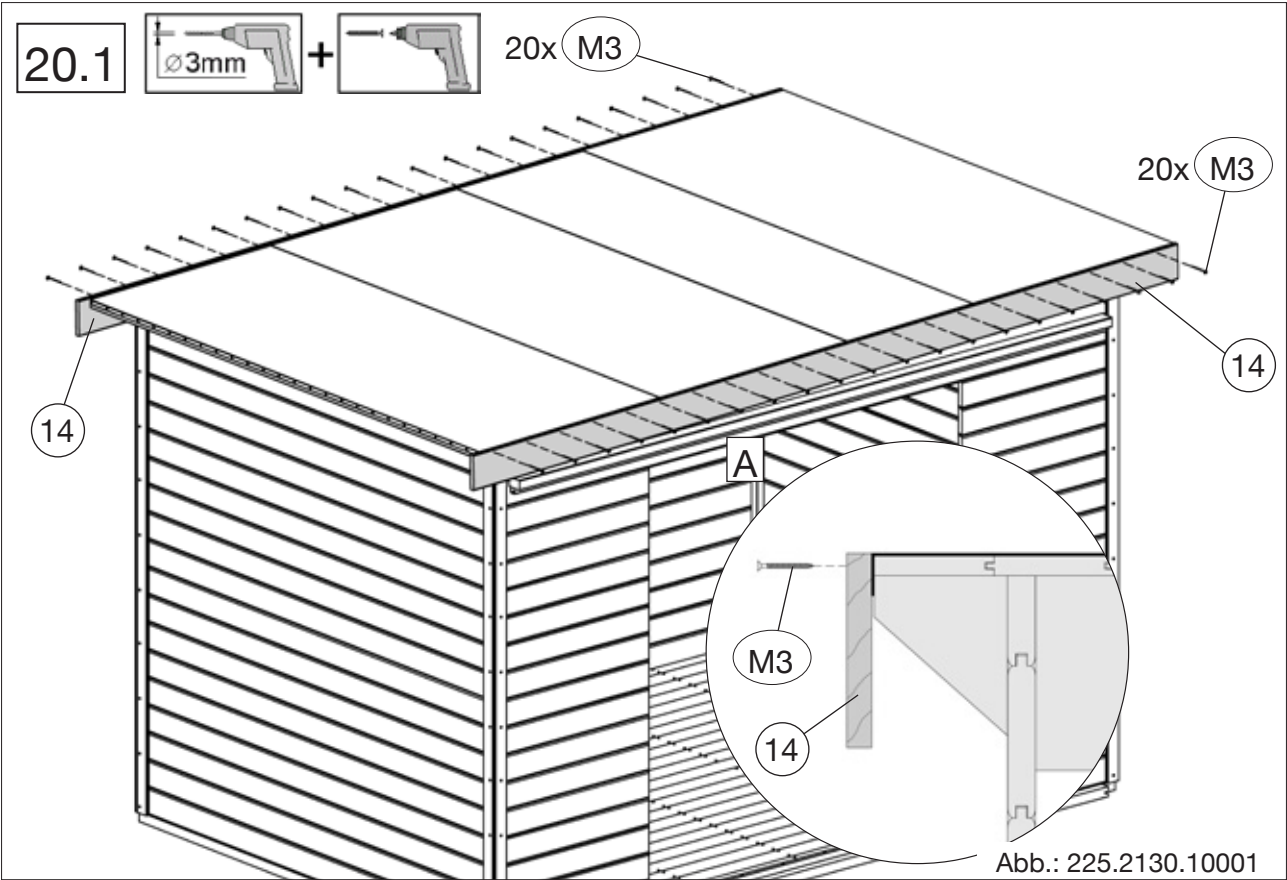
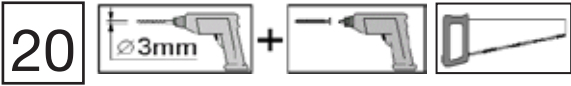
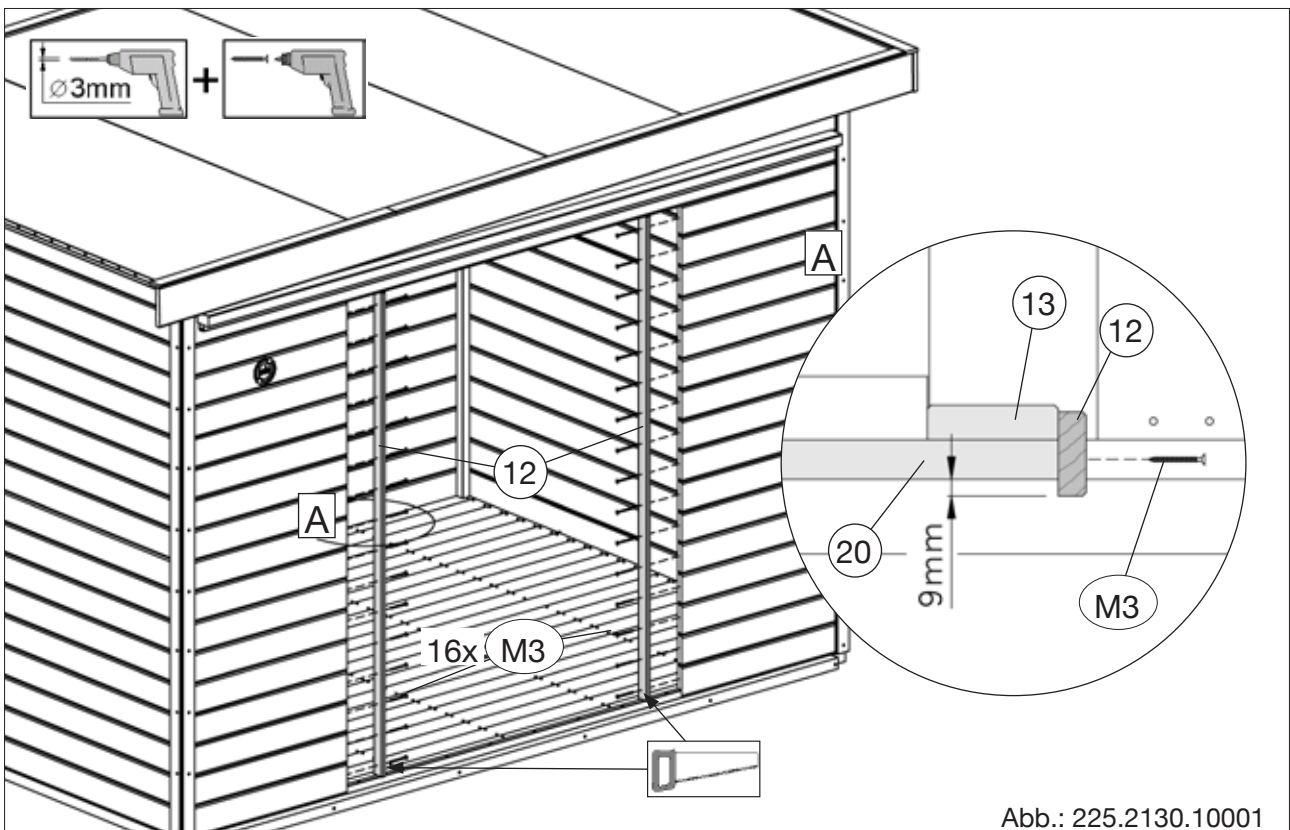
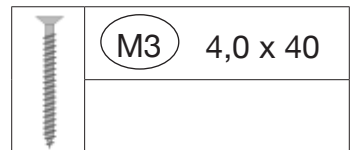
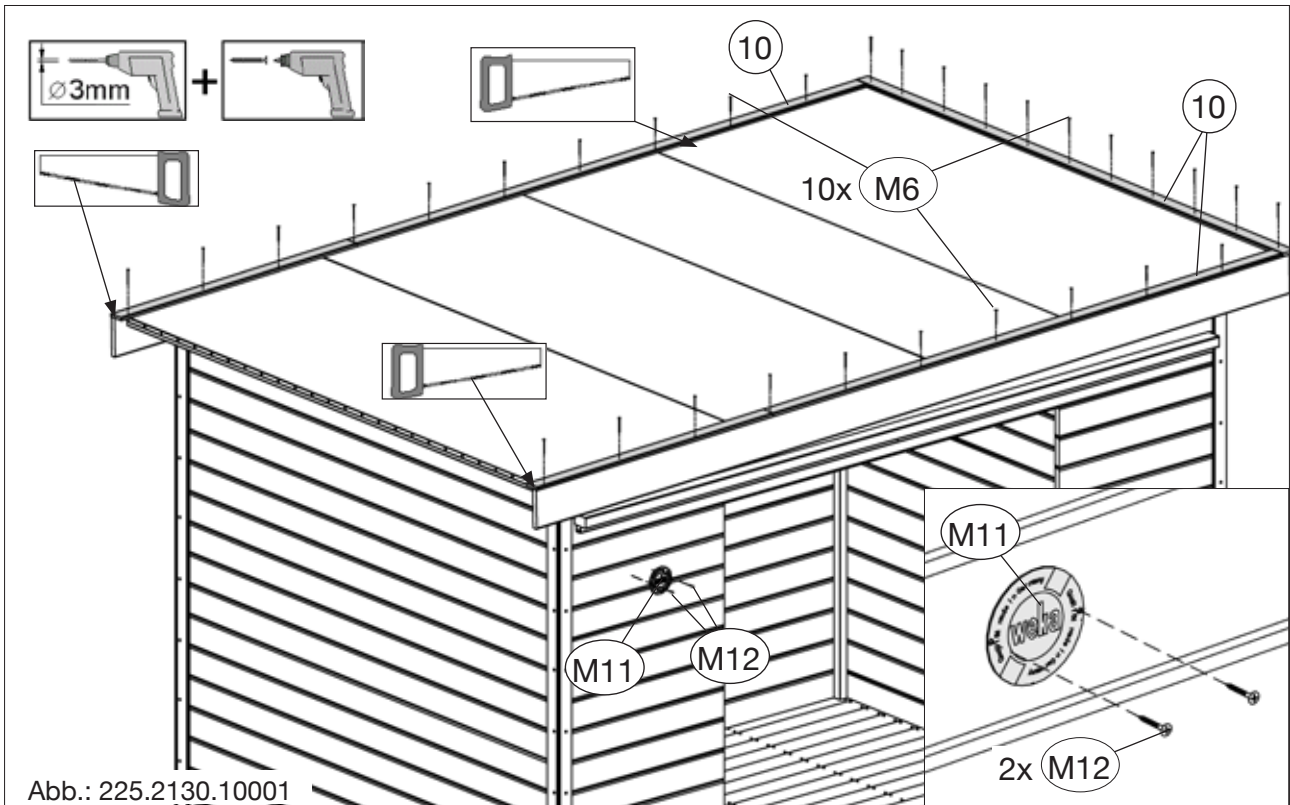
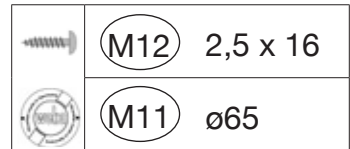
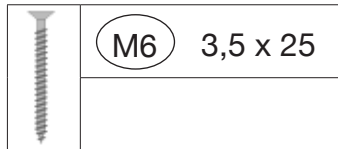
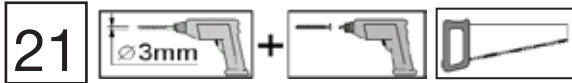
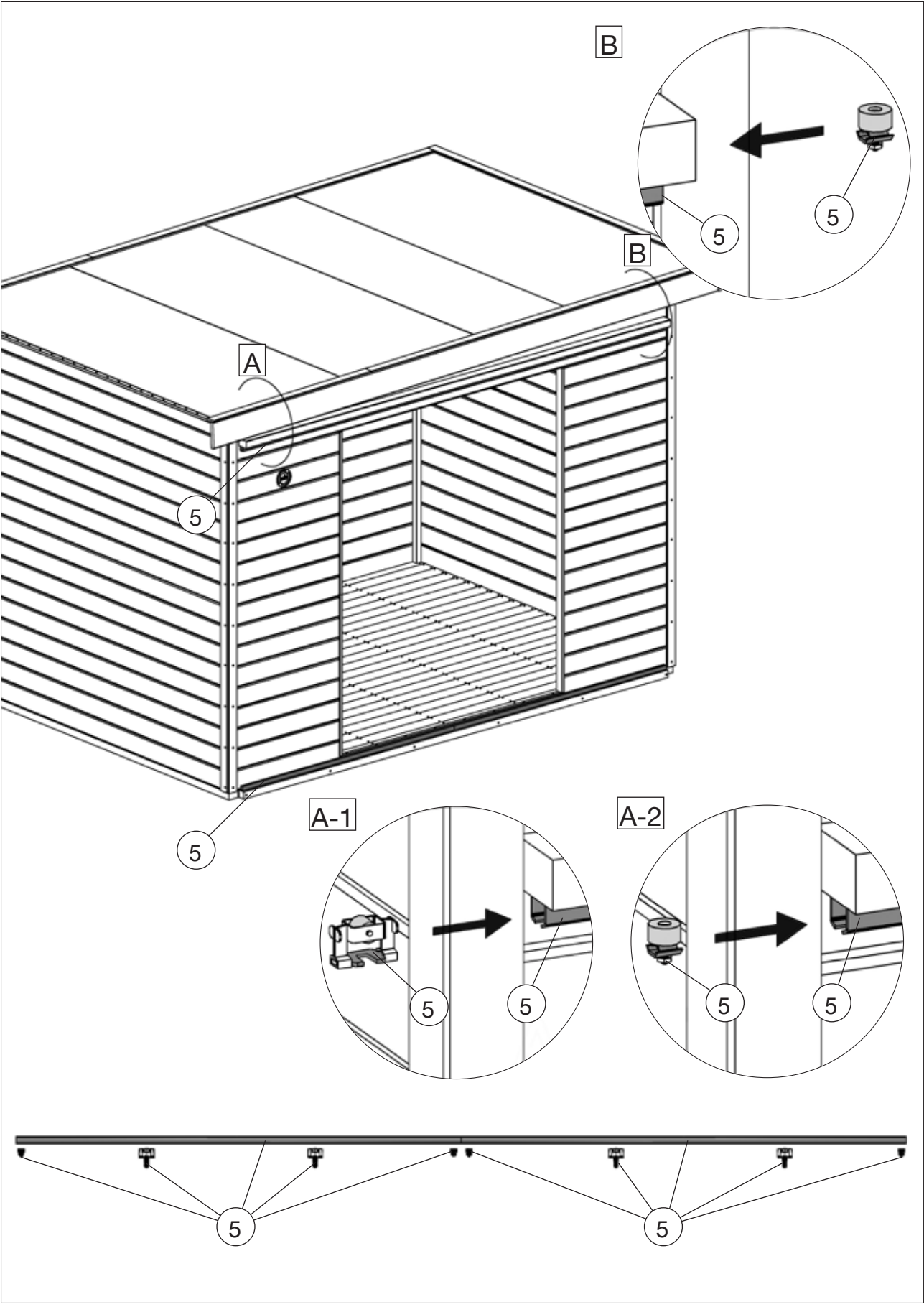


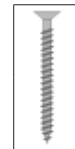
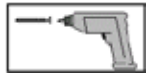
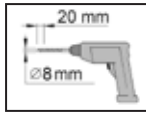
Abb.: 225.2130.1000





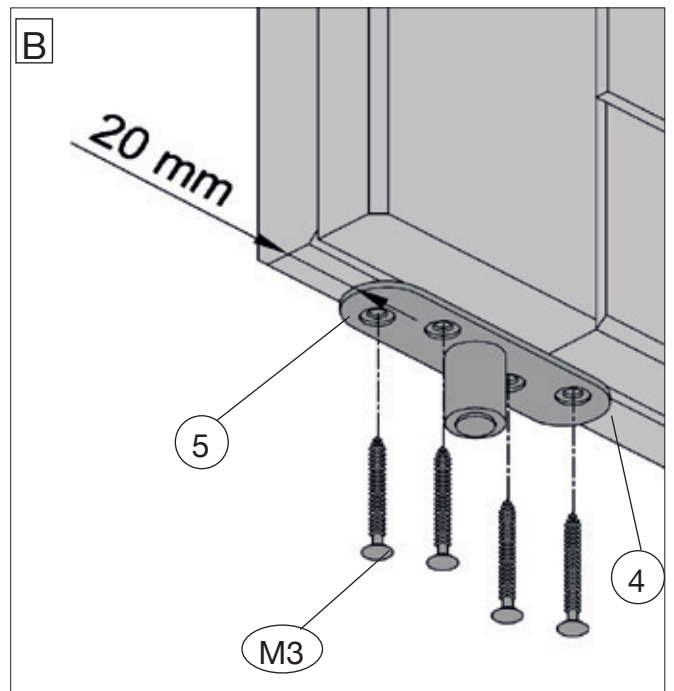
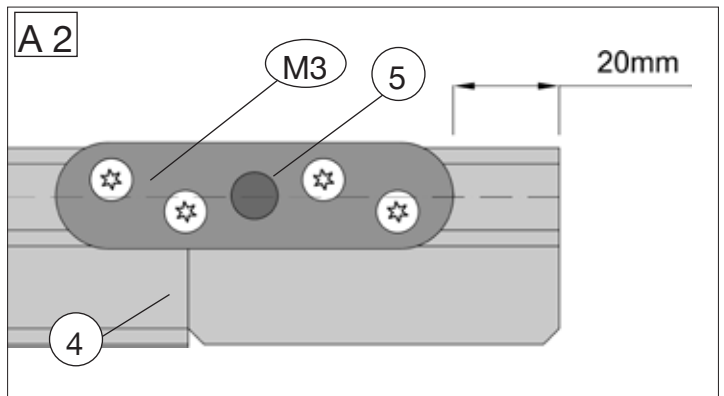
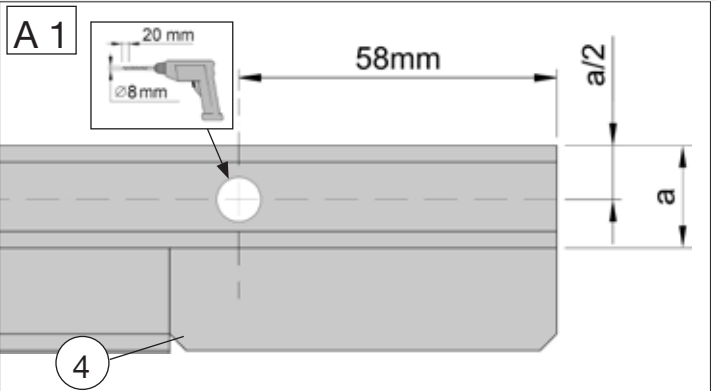
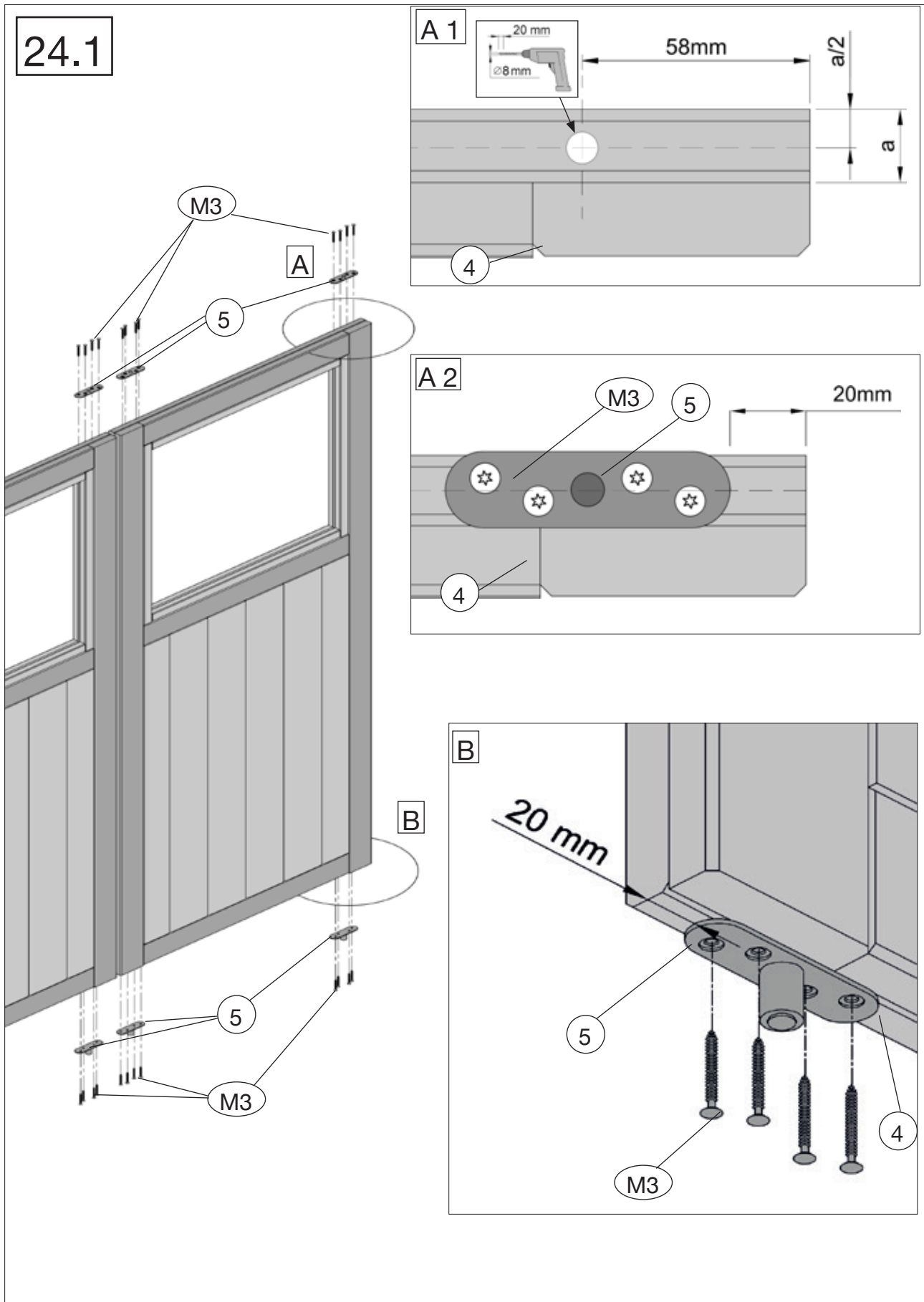


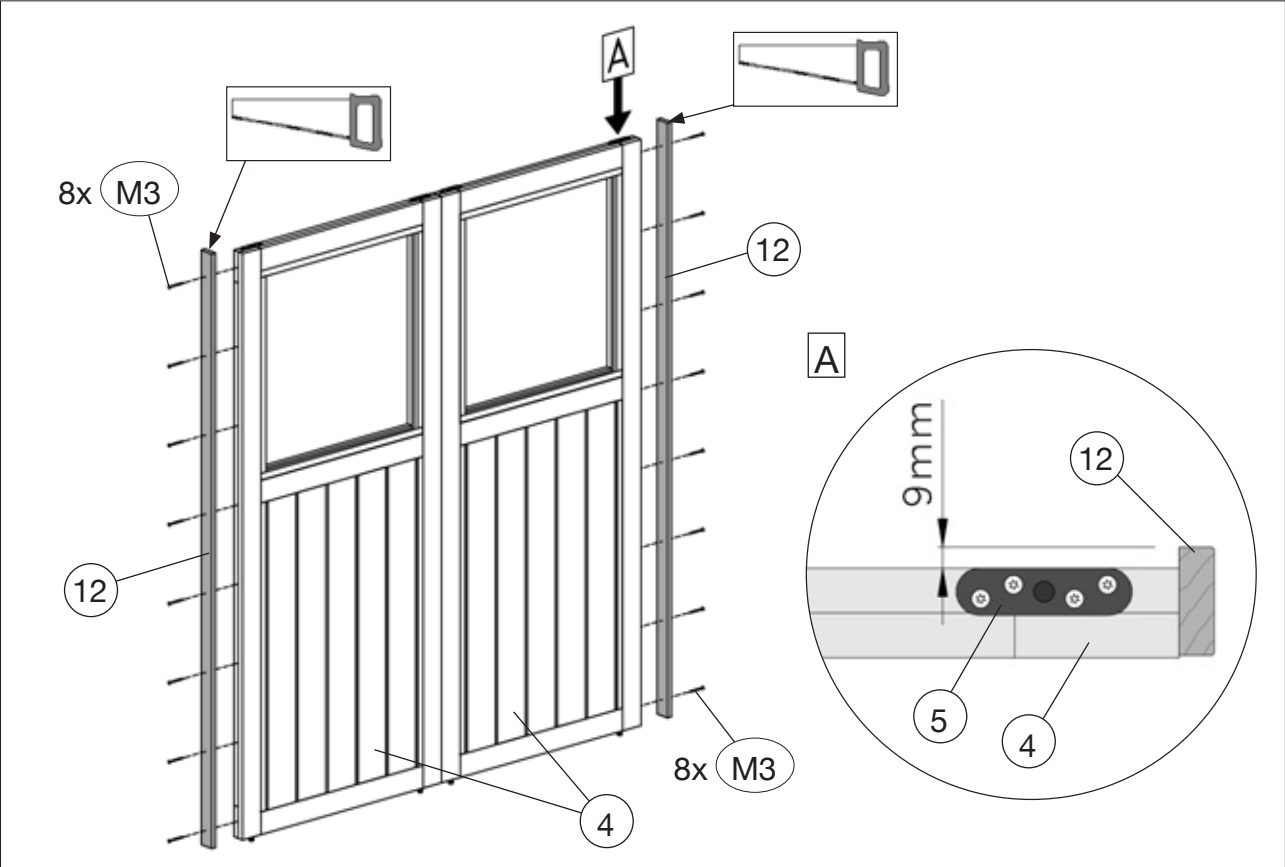
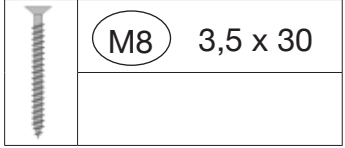
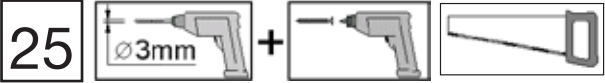
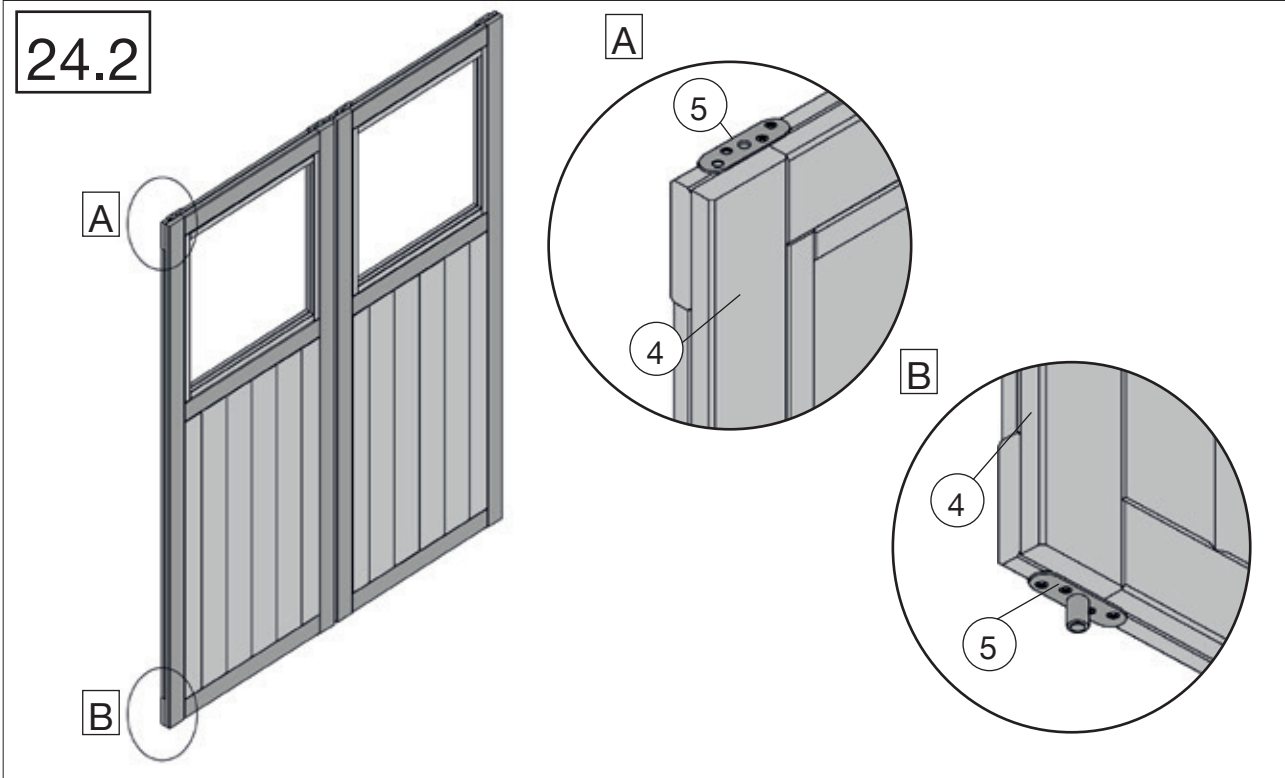
24

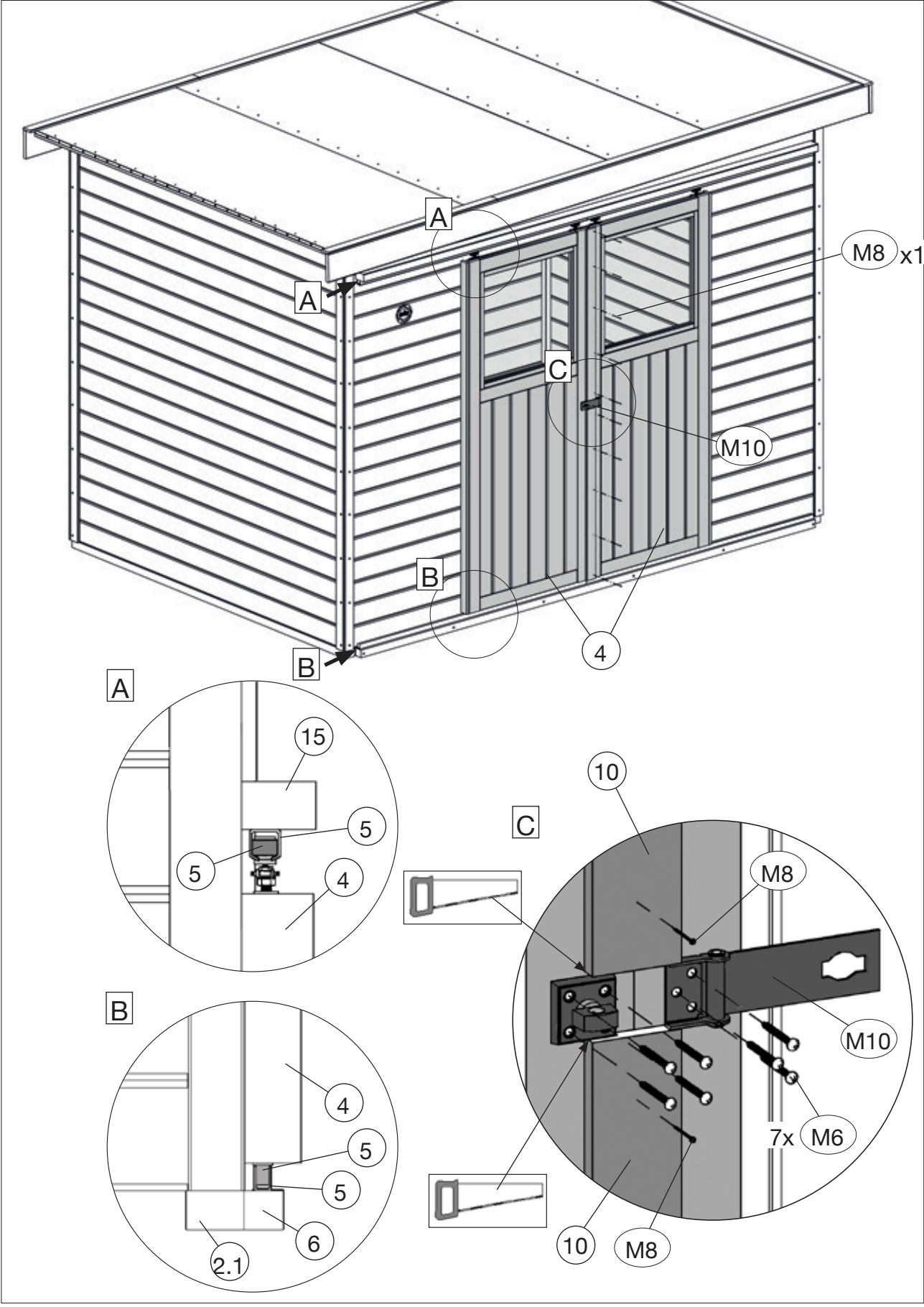
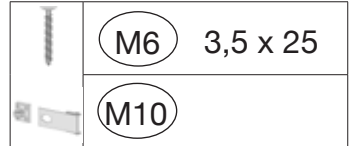
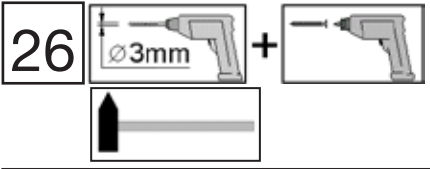


M3 4,0 x 40

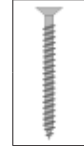
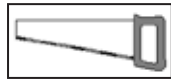
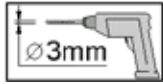
24.1



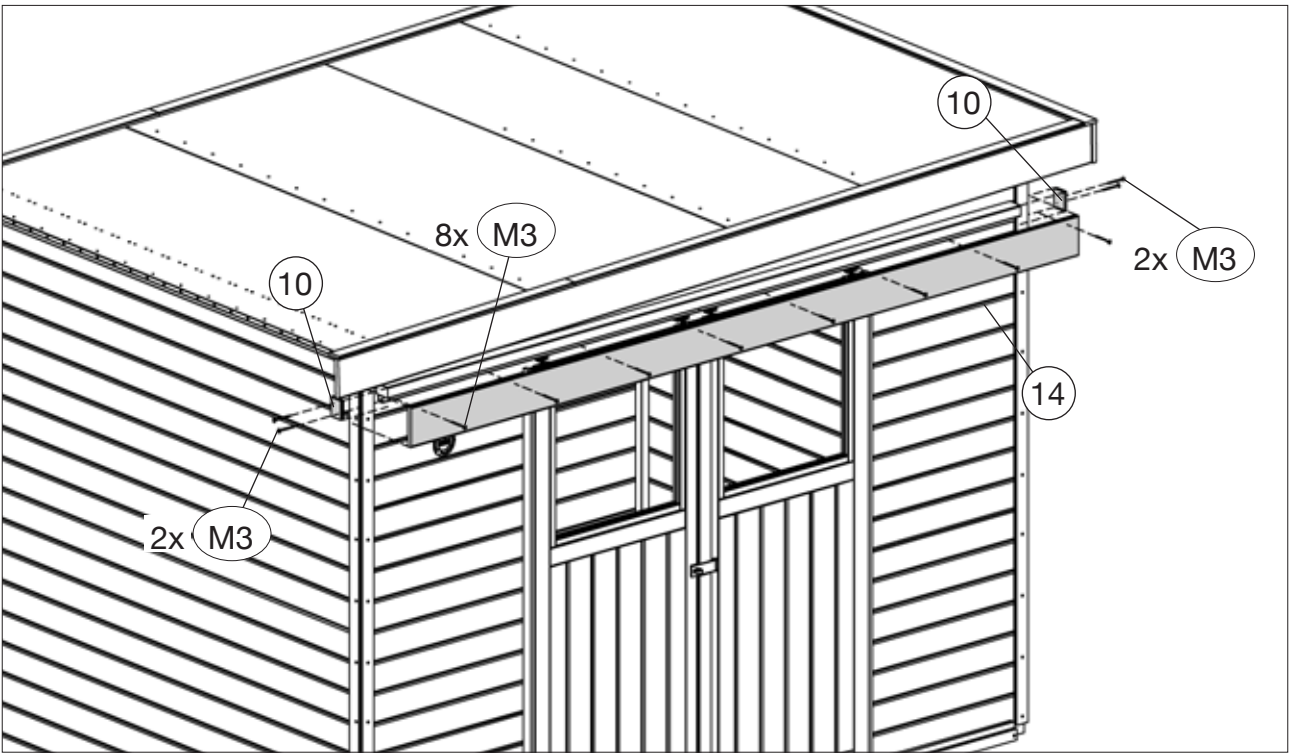
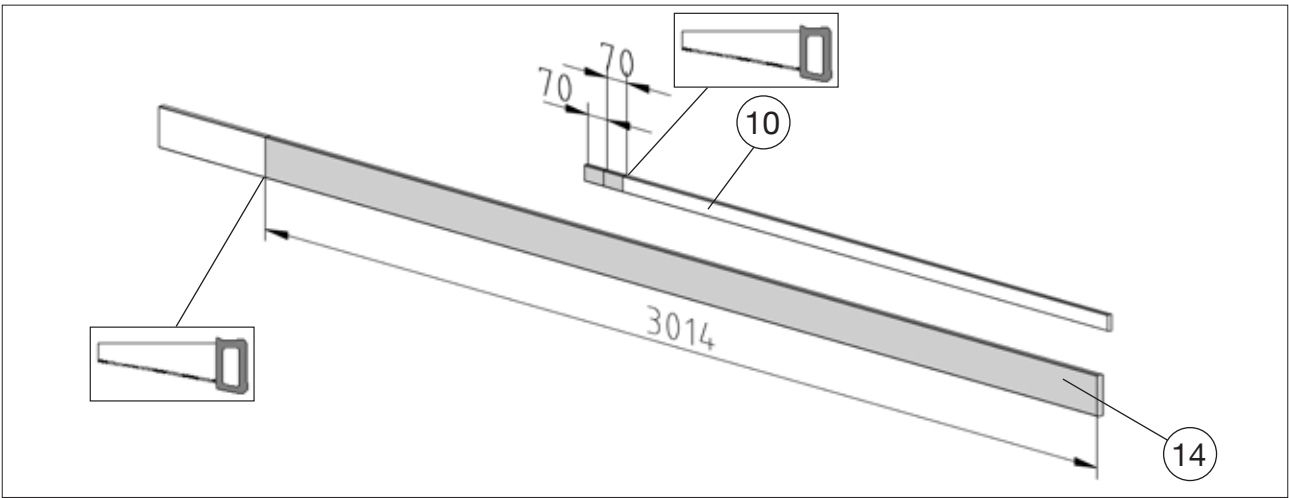




27



M3 4,0 x 40



Kennen Sie schon die WEKA- Wellnesswelt?



Jetzt
scannen
und unsere
**Saunen &
Infrarotkabinen**
entdecken!



www.weka-holzbau.com



WEKA Holzbau GmbH

Johannesstr. 16, 17034 Neubrandenburg
Tel.: +49 (0)395 42908-0
Fax: +49 (0)395 42908-83
Mail: info@weka-holzbau.com
Web: www.weka-holzbau.com
MA Art.-Nr.: 800.0286.17.67

© Copyright HRB 3662

Technische Änderungen vorbehalten!